

HUDDIG 1060C



HUDDIG 1060C is an efficient, maneuverable backhoe loader designed for work in tight spaces. The machine is robust, fast and powerful, which makes it a faithful partner in urban environments for example.

Engine

Model	Cummins turbo-charged diesel engine QS84.5	
Power output	104 kW (140 hp) at 2500 rpm	
Type	Straight 4-cylinder	
Cylinder volume	4.5 liters 274.6 cu in	
Torque	620 Nm 457 lb ft at 1500 rpm	

Transmission - ZF

Hydrodynamic torque converter. 6 forward gears and 3 reverse gears

Gear	Km/h	mph
1	6	3.7
2	10	6.2
3	15	9.3
4	23	14.3
5	35	21.7
6	50	31

Axles

ZF
Automatic differential brake with planetary hub reduction gears

Wheels

Standard 520/70x30

Brake system

Transport brake Servo-assisted disc brakes
Service brake Automatic application of transport brake when stationary (automatic function can be disengaged)

Steering system

Hydrostatic orbitrol control system with dual cylinders in the center pivot
Joystick steering can be engaged at reduced speed
Steering angle $\pm 37^\circ$
Frame oscillation $\pm 13^\circ$
Working pressure 15.9 MPa (159 bar)

Electrical system

Voltage 24 V
Batteries 2x12V, 100 Ah
Generator output 90 A AC
Starter motor output 4 kW

Hydraulic system

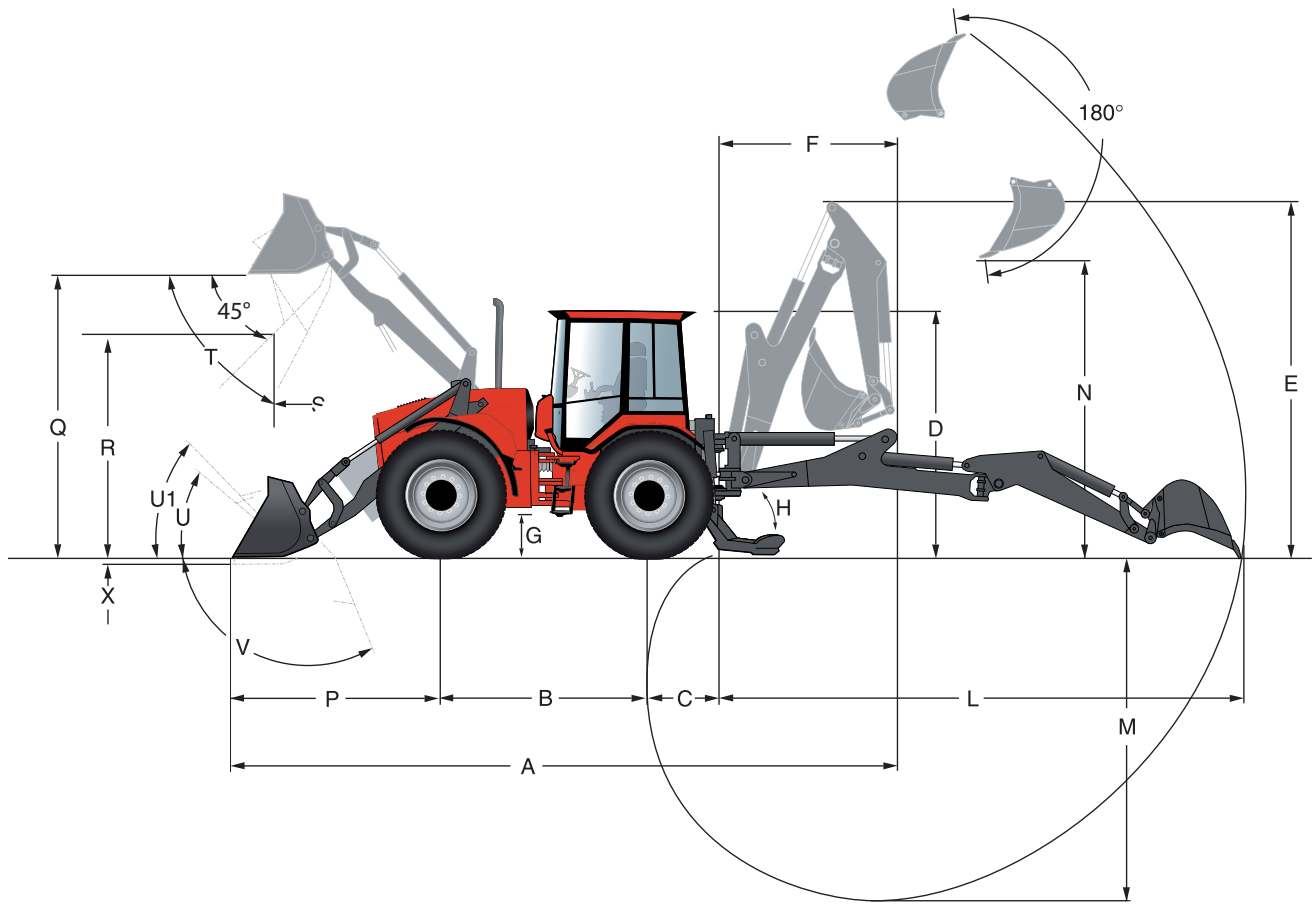
Load sensing operating hydraulics with two variable axial piston pumps. Displacement: 45cc | 2.75 cu in and 85cc | 5.19 cu in.
The hydraulic system is prepared for environmentally compatible hydraulic oils.

Working pressure

21 MPa (210 bar) | 3045 psi
Nom. max. flow at 1000 rpm 130 l/min | 34 gal/min
Nom. max. flow at 1500 rpm 195 l/min | 52 gal/min
Nom. max. flow at 2000 rpm 260 l/min | 69 gal/min

Measurements and weight

Width 2290 mm | 90 in
Height to cab roof 3064 mm | 121 in
Length 7740 mm | 305 in
Weight 10400 kg | 22,928 lbs



Specifications

with standard buckets and 520/70x30 wheel fittings

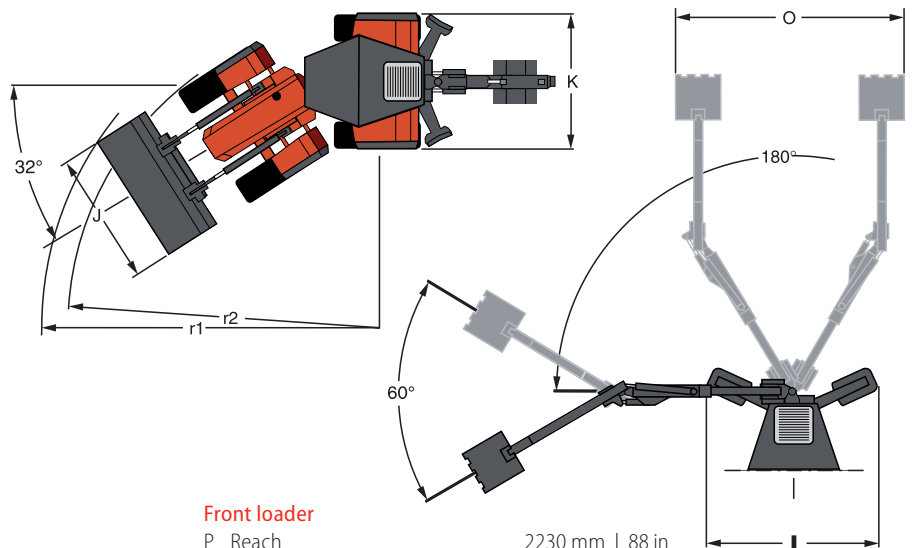
A	Transport length	7740 mm 305 in
B	Wheelbase	2505 mm 99 in
C	Backhoe overhang	1060 mm 42 in
D	Height above cab	3064 mm 121 in
E	Transport height backhoe	3950 mm 156 in
F	Transport length backhoe	2050 mm 81 in
G	Ground clearance	500 mm 20 in
H	Ground clearance angle, support legs	32°
I	Maximum width support legs	3650 mm 144 in
	Width support legs, parked position	2200 mm 87 in
J	Width front bucket	2300 mm 91 in
K	Width over wheels	2290 mm 90 in
r1	Swing radius outside bucket	5250 mm 207 in
r2	Swing radius outside wheels	4750 mm 187 in

Backhoe

L	Reach	5 950 mm 234 in
M	Depth	4 400 mm 173 in
N	Load height	3 585 mm 141 in
O	Digging width	3 950 mm 156 in

Front loader

P	Reach	2230 mm 88 in
Q	Lift height leveled bucket	3500 mm 138 in
R	Load height 45° tilted bucket	2600 mm 102 in
S	Reach 45° tilt angle	980 mm 39 in
T	Max. tilt angle	55°
U	Load angle	40°
U1	Load angle in carrying position	50°
V	Tilt angle ground plane	115°
X	Excavation depth	40 mm 1.5 in



HUDDIG AB

Box 1054
824 12 Hudiksvall
Sweden
Tel. +46 650 375 00
info@huddig.se