

# HUDDIG 1260C



The HUDDIG 1260C is our most powerful backhoe loader. It is equipped with a Cummins turbocharged diesel engine QSB6.7, which meets the environmental standard Stage III B | Tier 4 Interim.

## Engine

Model	Cummins turbocharged diesel engine QSB6.7 Stage III B   Tier 4 Interim
Power output	116 kW (157 hp) at 1900 rpm
Type	Straight 6-cylinder water cooled
Cylinder volume	6.7 liters   409 cu in
Torque	662 Nm   488 lb ft at 800 - 1400 rpm

## Transmission

2-gear hydrostatic gearbox ZF/2HL 290  
Speed, 1st gear 0-10 km/hr low ratio | 0-6 mph low gear  
Speed, 2nd gear 0-42 km/hr high ratio | 0-26 mph high gear  
The transmission system is separated from the operating hydraulics.

## Axles

ZF  
Automatic differential brake with planetary hub reduction gears

## Wheels

Standard 520/70x34

## Brake system

Transport brakes Servo assisted disc brakes  
Service brake Automatic engagement of transport brakes when stationary (automatic function can be disengaged)

## Steering system

Hydrostatic orbitrol control system with dual cylinders in the center pivot.  
Steering angle  $\pm 32^\circ$   
Frame oscillation  $\pm 8^\circ$

## Electrical system

Voltage	24V
Batteries	2x12V, 100 Ah
Generator output	80A AC
Starter motor output	5.8 kW

## Hydraulic system

Load sensing hydraulics with variable axial piston pumps, 60cc | 3.66 cu in + 100cc | 6.10 cu in (stepped-up pump distribution box provides a total of 174cc | 10.62 cu in). Low pressure compressor valves for backfilling and a heating system (circuit pump system) for cold starts. Internal servo supply to directional valve and return power for excavating functions.

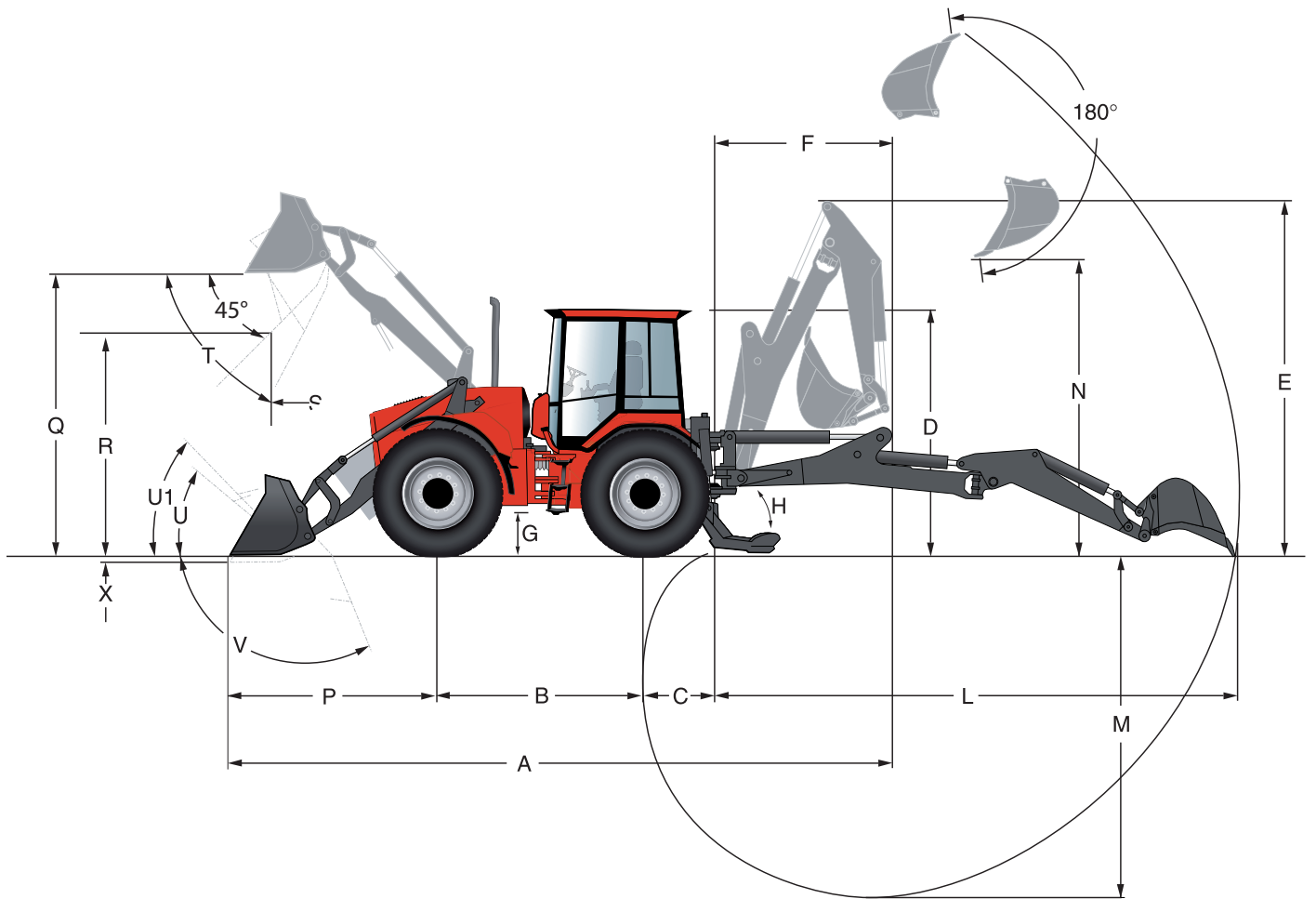
The hydraulic system is prepared for environmentally compatible hydraulic oils.

## Working pressure

Nom. max. flow at 1000 rpm	23.3 MPa (233 bar)   3380 psi
Nom. max. flow at 1500 rpm	176 l/min   46 gal/min
Nom. max. flow at 2000 rpm	264 l/min   70 gal/min
Nom. max. flow at 2000 rpm	352 l/min   93 gal/min

## Measurements and weight

Width	2470 mm   97 in
Height to cab roof	3110 mm   122.5 in
Length	8630 mm   329 in
Weight including bucket	13200 kg   29,101 lbs



### Specifications

with standard buckets and 520/70x30 wheel fittings

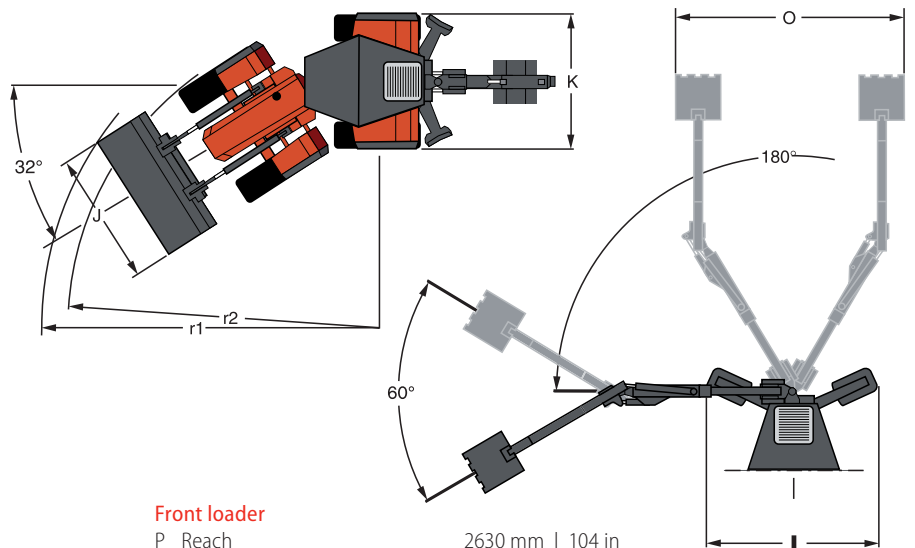
A	Transport length	8630 mm   329 in
B	Wheelbase	2600 mm   102 in
C	Backhoe overhang	1100 mm   43 in
D	Height above cab	3110 mm   122 in
E	Transport height backhoe	4380 mm   172 in
F	Transport length backhoe	2300 mm   91 in
G	Ground clearance	515 mm   20 in
H	Ground clearance angle, support legs	32°
I	Maximum width support legs	3700 mm   146 in
	Width with support legs parked position	2460 mm   97 in
J	Width front bucket	2500 mm   98 in
K	Width over wheels	2470 mm   97 in
r1	Swing radius outside bucket	6288 mm   248 in
r2	Swing radius outside wheels	5760 mm   227 in

### Backhoe

L	Reach	6530 mm   257 in
M	Depth	4900 mm   192 in
N	Load height	3770 mm   148 in
O	Digging width	4200 mm   165 in

### Front loader

P	Reach	2630 mm   104 in
Q	Lift height leveled bucket	3500 mm   138 in
R	Load height 45° tilted bucket	2690 mm   106 in
S	Reach 45° tilt angle	1030 mm   40.5 in
T	Max. tilt angle	63°
U	Load angle	40°
U1	Load angle in carrying position	46°
V	Tilt angle ground plane	112°
X	Excavation depth	90 mm   3.5 in



### HUDDIG AB

Box 1054  
824 12 Hudiksvall  
Sweden  
Tel. +46 650 375 00  
info@huddig.se