

3240

FORESTRY EQUIPMENT

Timber Loaders • Road Builders • Processors



OPERATIONALS
SPECS

Link-Belt
FORESTRY



PURPOSE-BUILT FOR THE WORK YOU DO

Link-Belt Forestry machines are designed and built with you in mind. Whether you're pioneering sites, building access roads, harvesting timber, processing logs or loading trucks at the mill yard, we've got the right equipment for the job. The new Link-Belt 3240 forestry machine features a powerful, fuel-efficient Final Tier 4 engine that doesn't require a DPF, matched to a larger fuel tank that keeps you working longer. 3240 forestry machines offer improved cycle times, improved swing torque, and better fuel economy. This attention to detail insures that Link-Belt Forestry machines deliver outstanding performance and productivity where it matters most. We focus on the machine so you can focus on your work.



ATTENTION TO DETAILS AT EVERY LEVEL

(A) Oregon OSHA/ROPS/WCB-certified cabs are 8082-2 compliant; available with sky roof and escape hatch. Choose rear-entry or side-entry cabs and risers; impact-resistant polycarbonate windows.

(B) 7" high-definition color monitor; full-time rear-view camera is standard. RemoteCARE® telematics keeps a watchful eye on performance, maintenance intervals and theft deterrence.

(C) Superior maneuverability and fine control, with dedicated control valve for application and forestry-exclusive circuit for arm-in-arm regeneration and arm-2 spool.

(D) Convenient ticket slot; operator doesn't have to bend down to hand the truck driver a log ticket.



(E) Faster cycle time and attachment speed:

- Faster boom-down/arm-in
- Faster boom up/swing
- Swing torque increase
- Increased lifting capacity due to wider lifting area and rear-mounted counterweight

(F) Heavy-duty components built for the woods include house doors; covers; protective guards; redesigned undercarriage; reinforced boom foot revolving frame; factory-fabricated attachment with optimized heel.

(G) Tough, field-repairable parts include 3-pc. steel engine hood; add-on hockey stick; LED lights and no-bolt oil filler.

(H) Servicing is a snap, with convenient access to all routine service points, including sample ports for engine and hydraulic oil. All service ports can be accessed via hand-turn knobs, no tools needed.





TIMBER LOADER SPECIFICATIONS

Engine

Isuzu AR-4HK1X Final Tier 4 turbocharged diesel engine
 SAE J 1349 net hp..... 160 HP (119.3 kW) @ 1,800 rpm
 Displacement317 cu in (5.2 L)
 Maximum torque..... 457 lbf-ft (620 N-m) @ 1,600 rpm
 Starter..... 24V-5.0kW
 Alternator..... 85 amp
 Battery..... (2) 12-volt 92 amp hours

Hydraulic System

Hydraulic Pumps
 Maximum flow 2 x 55.7 gpm (2 x 211 l/min)
 Pilot pump maximum flow 4.8 gpm (18 l/min)
 Auxiliary pump maximum flow 9.1 gpm (34.6 l/min)

Relief Valve Settings
 Boom/arm/tool..... 4,970 psi (343 bar)
 Swing circuit 4,190 psi (289 bar)
 Travel..... 4,970 psi (343 bar)

Hydraulic Oil Filtration
 Return filter..... 6 micron
 Pilot filter..... 8 micron
 Suction screen..... 105 micron

Swing

Swing speed..... 0 - 10.5 rpm
 Tail swing..... 10' 6" (3.20 m)
 Swing torque 55,250 lbf-ft. (74.9 kN-m)

Undercarriage

Carrier rollers 2 per side
 Track rollers 8 per side
 Track link pitch 8.0" (203 mm)
 Shoes..... 48 per side
 Shoe width 27.5" (700 mm)
 Ground Pressure (less cab) 8.12 psi (0.056 MPa)

Travel System

Max. travel speed 1.7 - 2.9 mph (2.7 - 4.7 km/h)
 Drawbar pull 51,700 lbf (230 kN)
 Gradeability 70% (35°)

Attachment

Boom..... 20' 2" (6.15 m)
 Arm..... 11' 0" (3.35 m)

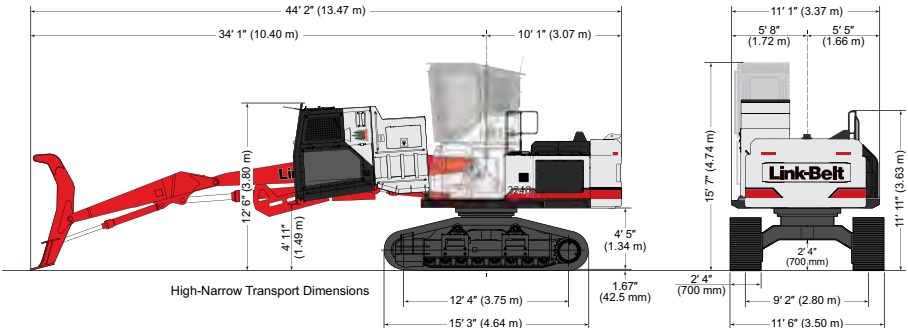
Capacities

Fuel tank..... 216 gal. (820 liters)
 Hydraulic tank..... 39 gal. (147 liters)
 Hydraulic system 66 gal. (250 liters)
 Final drive (per side)..... 2.5 gal. (9.5 liters)
 Swing drive..... 2.6 gal. (9.7 liters)
 Engine oil..... 6.1 gal. (23.1 liters)
 DEF Tank..... 31.7 gal. (120.0 Liters)
 Cooling system..... 8.3 gal. (31.4 liters)

Operating Weight

Working weight with side-entry forestry cab, 48" (1.22 m) cab riser, live-heel logging attachment, 9,380 lb. (4,250 kg) counterweight, 27.5" (700 mm) 2-bar shoes, 2,200 lb. (998 kg) tool..... 77,439 lbs (35 126 kg)

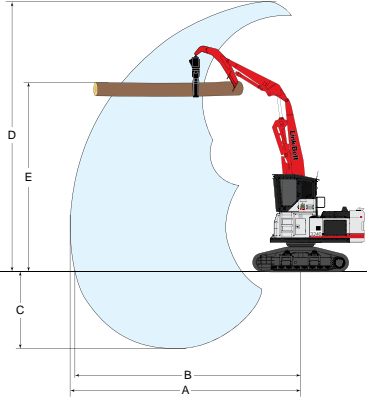
TIMBER LOADER TRAVEL DIMENSIONS



TIMBER LOADER WORKING RANGE

Equipped with Logging Attachment	High Narrow
A. Maximum reach	36' 5" (11.10 m)
B. Maximum reach @ ground level	35' 9" (10.89 m)
C. Maximum depth	12' 3" (3.74 m)
D. Maximum height	42' 9" (13.02 m)
E. Maximum log level height	30' 3" (9.22 m)

Working range shown at grapple pin location with live-heel extended



TIMBER LOADER LIFTING CAPACITIES

11' 0" (3.35 m) Arm with 20' 2" (6.15 m) Boom and Live-Heel (High Narrow)

	10' 0" (3.0 m)		15' 0" (4.5 m)		20' 0" (6.0 m)		25' 0" (7.5 m)		30' 0" (9.0 m)		35' 0" (10.5 m)		Max. Reach	
	End	Side	End	Side	End	Side	End	Side	End	Side	End	Side	End	Side
+40' 0" (12.0 m)	lbs		16,300*	16,300*										
	kg		7 400*	7 400*										
+35' 0" (10.5 m)	lbs				16,800*	16,800*							11,300*	11,300*
	kg				7 630*	7 630*							5 120*	5 120*
+30' 0" (9.0 m)	lbs				16,350*	16,350*	14,350*	14,350*					9,400*	9,400*
	kg				7 420*	7 420*	6 520*	6 520*					4 270*	4 270*
+25' 0" (7.5 m)	lbs				16,650*	16,650*	14,450*	14,450*	12,400*	11,550			8,450*	8,450*
	kg				7 540*	7 540*	6 560*	6 560*	5 630*	5 240			3 840*	3 840*
+20' 0" (6.0 m)	lbs		14,050*	14,050*	17,400*	17,400*	14,700*	14,700*	12,450*	11,600			7,950*	7,950*
	kg		6 370*	6 370*	7 890*	7 890*	6 680*	6 680*	5 660*	5 260			3 610*	3 610*
+15' 0" (4.5 m)	lbs		21,750*	21,750*	18,550*	18,550	15,250*	15,100*	12,600*	11,500	10,250*	8,850	7,750*	7,750*
	kg		9 860*	9 860*	8 410*	8 410	6 910*	6 850*	5 720*	5 210	4 660*	4 010	3 510*	3 510*
+10' 0" (3.0 m)	lbs		24,800*	24,800*	19,750*	19,750*	15,650*	14,950	12,700*	11,300	10,100*	8,800	7,700*	7,700*
	kg		11 260*	11 260*	8 970*	8 970*	7 110*	6 770	5 760*	5 120	4 580*	4 000	3 500*	3 500*
+5' 0" (1.5 m)	lbs		27,100*	27,100*	20,300*	20,100	15,700*	14,500	12,500*	11,050	9,450*	8,750	7,800*	7,800*
	kg		12 280*	12 280*	9 210*	9 120	7 130*	6 580	5 680*	5 020	4 300*	3 960	3 540*	3 540*
Ground	lbs	7,950*	7,950*	26,900*	26,900*	19,800*	19,500	15,250*	14,150	11,800*	10,900	7,950*	7,950*	6,600*
Line	kg	3 600*	3 600*	12 200*	12 200*	8 980*	8 840	6 910*	6 430	5 350*	4 940	3 610*	3 610*	2 990*
-5' 0" (1.5 m)	lbs	10,200*	10,200*	24,000*	24,000*	18,050*	18,050*	13,750*	13,750*	10,100*	10,100*			6,550*
	kg	4 620*	4 620*	10 880*	10 880*	8 190*	8 190*	6 230*	6 230*	4 580*	4 580*			2 980*
-10' 0" (3.0 m)	lbs		18,900*	18,900*	14,550*	14,550*	10,800*	10,800*						8,100*
	kg		8 580*	8 580*	6 610*	6 610*	4 900*	4 900*						3 680*

Notes: Lifting capacities

- Lifting capacities shown should not be exceeded. Weight of all lifting accessories must be deducted from the above lifting capacities. Lifting capacities for Log Loader attachment include a heel rack, but not grapple. Addition of grapple weight must be deducted from lift capacities.
- Lifting capacities are based on machine standing on firm, uniform supporting surface. User must make allowances for job conditions such as soft or uneven ground.
- Lifting capacities shown do not exceed 75% of minimum tipping loads or 87% of hydraulic capacities. Capacities marked with an asterisk (*) are limited by hydraulic capacities.
- Least stable position is over the side.
- Operator should be fully acquainted with the Operator's Manual & Operating Safety Booklet, furnished by LBX before operating the machine.
- Capacities apply only to the machine as originally manufactured and normally equipped by LBX Company LLC.



ROAD BUILDER SPECIFICATIONS

Engine

Isuzu AR-4HK1X Final Tier 4 turbocharged diesel engine
 SAE J 1349 net hp..... 160 HP (119 kW) @ 1,800 rpm
 Displacement 317 cu. in. (5.2 L)
 Maximum torque..... 457 lbf-ft (620 N-m) @ 1,600 rpm
 Starter..... 24V-5.0kW
 Alternator..... 85 amp
 Battery..... (2) 12-volt 92 amp hours

Hydraulic System

Hydraulic Pumps

Maximum flow 2 x 55.7 gpm (2 x 211 l/min)
 Pilot pump maximum flow 4.8 gpm (18 l/min)
 Auxiliary pump maximum flow..... 9.1 gpm (34.6 l/min)

Relief Valve Settings

Boom/arm/tool..... 4,970 psi (343 bar)
 Swing circuit..... 4,190 psi (295 bar)
 Travel..... 4,970 psi (343 bar)

Hydraulic Oil Filtration

Return filter..... 6 micron
 Pilot filter..... 8 micron
 Suction screen..... 105 micron

Swing

Swing speed..... 0 - 10.5 rpm
 Tail swing..... 10' 6" (3.20 m)
 Swing torque 55,250 lbf-ft. (74.9 kN-m)

Undercarriage

Carrier rollers 2 per side
 Track rollers 8 per side
 Track link pitch 8.0" (203 mm)
 Shoes 48 per side
 Shoe width 27.5" (700 mm)
 Ground Pressure (less cab) 8.59 psi (0.059 MPa)

Travel System

Max. travel speed..... 1.6 - 2.7 mph (2.6 - 4.4 km/h)
 Drawbar pull 58,000 lbf (258 kN)
 Gradeability 70% (35°)

Attachment

Boom..... 18' 8" (5.70 m)
 Arm..... 9' 8" (2.94 m)

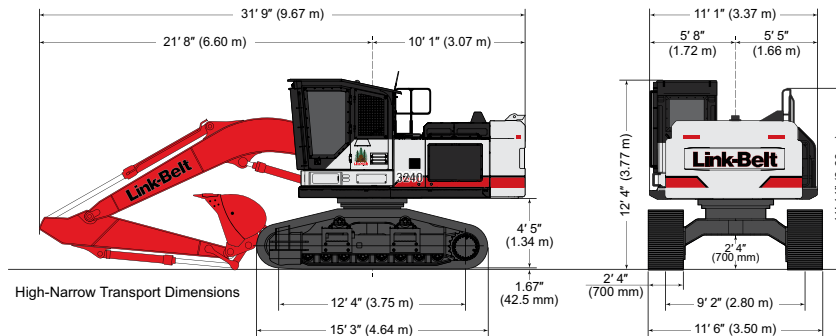
Capacities

Fuel tank..... 216 gal. (820 liters)
 Hydraulic tank..... 39 gal. (147 liters)
 Hydraulic system 66 gal. (250 liters)
 Final drive (per side)..... 2.5 gal. (9.5 liters)
 Swing drive..... 2.6 gal. (9.7 liters)
 Engine oil..... 6.1 gal. (23.1 liters)
 DEF Tank..... 31.7 gal. (120.0 Liters)
 Cooling system..... 8.3 gal. (31.4 liters)

Operating Weight - No Tool

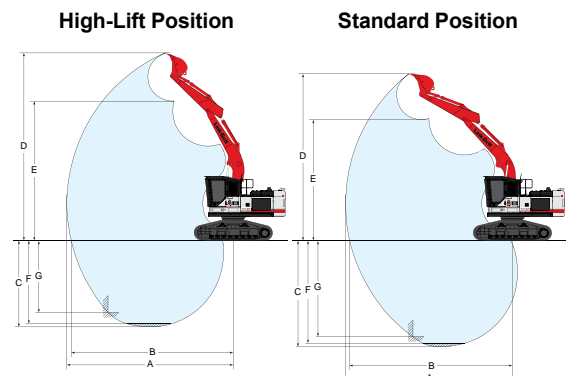
Working weight with side-entry forestry cab, 12" (305 mm) cab riser, road builder attachment, high-narrow undercarriage, 9,380 lb. (4 250 kg) counterweight, 27.5" (700 mm) 2-bar shoes, no bucket
 High-narrow undercarriage 72,325 lbs (32 806 kg)

ROAD BUILDER TRAVEL DIMENSIONS



ROAD BUILDER WORKING RANGE

Machine Equipped with 19' 2" (5.85 m) Boom, 9' 10" (3.00 m) Arm	High-Lift Position	Standard Position
	High Narrow Undercarriage	High Narrow Undercarriage
A. Maximum reach	32' 6" (9.91 m)	32' 6" (9.91 m)
B. Maximum reach @ ground level	31' 8" (9.66 m)	31' 8" (9.66 m)
C. Maximum dig depth	17' 0" (5.18 m)	20' 8" (6.31 m)
D. Maximum dig height	36' 8" (11.17 m)	32' 8" (9.95 m)
E. Maximum dump height	27' 2" (8.28 m)	23' 9" (7.23 m)
F. Digging depth 8' (2.44 m) level bottom	16' 5" (5.01 m)	20' 1" (6.13 m)
G. Maximum vertical wall depth	14' 2" (4.33 m)	18' 9" (5.72 m)



ROAD BUILDER LIFTING CAPACITIES

9' 8" (2.94 m) Arm with 18' 8" (5.70 m) Boom in Standard Position and 1,440 lb. (650 kg) Bucket (High Narrow Undercarriage)

	5' 0" (1.5 m)		10' 0" (3.0 m)		15' 0" (4.5 m)		20' 0" (6.0 m)		25' 0" (7.5 m)		30' 0" (9.0 m)		Max. Reach	
	End	Side	End	Side	End	Side	End	Side	End	Side	End	Side	End	Side
+25' 0" lbs (7.5 m) kg									6,000* 3 090*	6,000* 3 090*			4,350* 1 950*	4,350* 1 950*
+20' 0" lbs (6.0 m) kg									7,550* 3 510*	7,550* 3 510*			4,150* 1 870*	4,150* 1 870*
+15' 0" lbs (4.5 m) kg					11,500* 5 350*	11,500* 5 350*	9,350* 4 340*	9,350* 4 340*	8,500* 3 890*	8,500* 3 890*	5,750* 3 090*	5,750* 3 090*	4,150* 1 870*	4,150* 1 870*
+10' 0" lbs (3.0 m) kg			21,600* 10 120*	21,600* 10 120*	15,350* 7 150*	15,350* 7 150*	11,450* 5 300*	11,450* 5 300*	9,400* 4 330*	9,400* 4 330*	7,750* 3 780*	7,750* 3 780*	4,300* 1 950*	4,300* 1 950*
+5' 0" lbs (1.5 m) kg			16,950* 7 270*	16,950* 7 270*	18,500* 8 570*	18,500* 8 570*	13,150* 6 090*	13,150* 6 090*	10,450* 4 820*	10,450* 4 820*	8,200* 4 020*	8,200* 4 020*	4,650* 2 100*	4,650* 2 100*
Ground lbs Line kg	8,650* 3 870*	8,650* 3 870*	18,250* 8 040*	18,250* 8 040*	19,950* 9 220*	19,950* 9 220*	14,250* 6 580*	14,250* 6 580*	11,050* 5 100*	11,050* 5 100*	5,850* 3 450*	5,850* 3 450*	5,200* 2 350*	5,200* 2 350*
-5' 0" lbs (1.5 m) kg	16,100* 7 260*	16,100* 7 260*	24,000* 10 610*	24,000* 10 610*	19,950* 9 220*	19,950* 9 220*	14,400* 6 650*	14,400* 6 650*	11,000* 5 100*	11,000* 5 100*			6,150* 2 780*	6,150* 2 780*
-10' 0" lbs (3.0 m) kg	22,150* 9 880*	22,150* 9 880*	28,400* 13 110*	28,400* 13 110*	19,050* 8 820*	19,050* 8 820*	13,800* 6 400*	13,800* 6 400*	8,600* 4 680*	8,600* 4 680*			8,050* 3 600*	8,050* 3 600*
-15' 0" lbs (4.5 m) kg			23,450* 10 930*	23,450* 10 930*	16,100* 7 520*	16,100* 7 520*	10,900* 5 210*	10,900* 5 210*					10,000* 4 540*	10,000* 4 540*

9' 8" (2.94 m) Arm with 18' 8" (5.70 m) Boom in High Lift Position and 1,440 lb. (650 kg) Bucket (High Narrow Undercarriage)

	5' 0" (1.5 m)		10' 0" (3.0 m)		15' 0" (4.5 m)		20' 0" (6.0 m)		25' 0" (7.5 m)		30' 0" (9.0 m)		Max. Reach	
	End	Side	End	Side	End	Side	End	Side	End	Side	End	Side	End	Side
+30' 0" lbs (9.0 m) kg							6,450* 3 270*	6,450* 3 270*					4,900* 2 180*	4,900* 2 180*
+25' 0" lbs (7.5 m) kg							8,500* 3 970*	8,500* 3 970*	6,000* 3 090*	6,000* 3 090*			4,350* 1 950*	4,350* 1 950*
+20' 0" lbs (6.0 m) kg					11,750* 5 390*	11,750* 5 390*	10,800* 5 040*	10,800* 5 040*	8,650* 4 040*	8,650* 4 040*			4,150* 1 870*	4,150* 1 870*
+15' 0" lbs (4.5 m) kg			19,500* 9 320*	19,500* 9 320*	14,750* 6 820*	14,750* 6 820*	12,100* 5 610*	12,100* 5 610*	10,100* 4 670*	10,100* 4 670*	5,750* 3 090*	5,750* 3 090*	4,150* 1 870*	4,150* 1 870*
+10' 0" lbs (3.0 m) kg			27,050* 12 560*	27,050* 12 560*	18,350* 8 500*	18,350* 8 500*	13,550* 6 270*	13,550* 6 270*	10,850* 5 010*	10,850* 5 010*	7,750* 3 900*	7,750* 3 900*	4,300* 1 950*	4,300* 1 950*
+5' 0" lbs (1.5 m) kg			16,950* 7 270*	16,950* 7 270*	20,200* 9 340*	20,200* 9 340*	14,500* 6 710*	14,500* 6 710*	11,250* 5 200*	11,250* 5 200*	8,200* 4 150*	8,200* 4 150*	4,650* 2 100*	4,650* 2 100*
Ground lbs Line kg	8,450* 3 720*	8,450* 3 720*	18,250* 8 040*	18,250* 8 040*	20,200* 9 330*	20,200* 9 330*	14,550* 6 730*	14,550* 6 730*	11,150* 5 150*	11,150* 5 150*	5,850* 3 450*	5,850* 3 450*	5,200* 2 350*	5,200* 2 350*
-5' 0" lbs (1.5 m) kg	15,550* 6 900*	15,550* 6 900*	24,000* 10 610*	24,000* 10 610*	19,050* 8 790*	19,050* 8 790*	13,900* 6 430*	13,900* 6 430*	10,300* 4 790*	10,300* 4 790*			6,150* 2 780*	6,150* 2 780*
-10' 0" lbs (3.0 m) kg			21,950* 10 160*	21,950* 10 160*	16,000* 7 430*	16,000* 7 430*	11,650* 5 450*	11,650* 5 450*	7,250* 3 600*	7,250* 3 600*			6,950* 3 140*	6,950* 3 140*

Notes: Lifting capacities

- Lifting capacities shown should not be exceeded. Weight of all lifting accessories must be deducted from the above lifting capacities. Lifting capacities for Log Loader attachment include a heel rack, but not grapple. Addition of grapple weight must be deducted from lift capacities.
- Lifting capacities are based on machine standing on firm, uniform supporting surface. User must make allowances for job conditions such as soft or uneven ground.
- Lifting capacities shown do not exceed 75% of minimum tipping loads or 87% of hydraulic capacities. Capacities marked with an asterisk (*) are limited by hydraulic capacities.
- Least stable position is over the side.
- Operator should be fully acquainted with the Operator's Manual & Operating Safety Booklet, furnished by LBX before operating the machine.
- Capacities apply only to the machine as originally manufactured and normally equipped by LBX Company LLC.

ROAD BUILDER BUCKET SIZES

Bucket Type	SAE Heaped Capacity		Width Outside Lip		Bucket Weight		Number of Teeth	Arm Length 9' 8" 2.94 m
	(yd ³)	(m ³)	(in)	(mm)	(lbs)	(kg)		
STDP Standard duty plate	0.65	0.50	24	610	1151	522	4	H
	0.87	0.67	30	762	1265	574	4	H
	1.09	0.83	36	914	1433	650	5	H
	1.31	1.00	42	1067	1570	712	5	M
	1.53	1.17	48	1219	1687	765	5	L
	1.75	1.34	54	1372	1853	841	6	L
HDP Heavy duty plate	0.64	0.49	24	610	1392	631	3	H
	0.85	0.65	30	762	1592	722	4	H
	1.07	0.82	36	914	1794	814	5	H
	1.29	0.99	42	1067	1954	886	5	M
	1.51	1.15	48	1219	2114	959	5	L
	1.72	1.32	54	1372	2315	1050	6	L
XDP Extreme duty plate	0.64	0.49	24	610	1549	703	3	H
	0.85	0.65	30	762	1769	802	4	H
	1.07	0.82	36	914	1933	877	4	H
	1.29	0.99	42	1067	2152	976	5	M
	1.51	1.15	48	1219	2316	1051	5	L
	1.72	1.32	54	1372	2536	1150	6	L
POWER HDP for use with ESCO multi-pin grabber only	0.61	0.47	24	610	1956	887	4	H
	0.80	0.61	30	762	2102	953	4	H
	0.99	0.76	36	914	2287	1037	5	H
	1.18	0.90	42	1067	2433	1104	5	M
	1.38	1.06	48	1219	2578	1169	5	L
	DITCH	1.08	0.83	60	1524	1470	667	0
1.20		0.92	66	1676	1557	706	0	H
1.32		1.01	72	1829	1648	748	0	M

Approval Code For Arm/Bucket Combinations	
H.....	Heavy material (up to 3,370 lbs./yd ³)
M.....	Medium material (up to 2,700 lbs./yd ³)
L.....	Light material (up to 2,020 lbs./yd ³)
N/A.....	Not applicable





PROCESSOR SPECIFICATIONS

Engine

Isuzu AR-4HK1X Final Tier 4 turbocharged diesel engine
 SAE J 1349 net hp 160 HP (119.3 kW) @ 1,800 rpm
 Displacement 317 cu. in. (5.2 L)
 Maximum torque 457 lbf-ft (620 N-m) @ 1,600 rpm
 Starter 24V-5.0kW
 Alternator 85 amp
 Battery (2) 12-volt 92 amp hours

Hydraulic System

Hydraulic Pumps

Maximum flow 2 x 55.7 gpm (2 x 211 l/min)
 Pilot pump maximum flow 4.8 gpm (18 l/min)

Relief Valve Settings

Boom/arm/tool 4,970 psi (343 bar)
 Swing circuit 4,190 psi (289 bar)
 Travel 4,970 psi (343 bar)

Hydraulic Oil Filtration

Return filter 6 micron
 Pilot filter 8 micron
 Suction screen 105 micron
 Auxiliary drain line filter 8 micron

Swing

Swing speed 0 - 10.5 rpm
 Tail swing 10' 6" (3.2 m)
 Swing torque 55,170 lbf-ft. (74.8 kN-m)

Undercarriage

Carrier rollers 2 per side
 Track rollers 8 per side
 Track link pitch 8.0" (203 mm)
 Shoes 48 per side
 Shoe width 27.5" (700 mm)
 Ground Pressure (less cab) 7.83 psi (0.054 MPa)

Travel System

Max. travel speed 1.7 - 2.9 mph (2.7 - 4.7 km/h)
 Drawbar pull 51,700 lbf (230 kN)
 Gradeability 70% (35°)

Attachment

Boom 18' 8" (5.70 m)
 Arm 11' 6" (3.50 m)

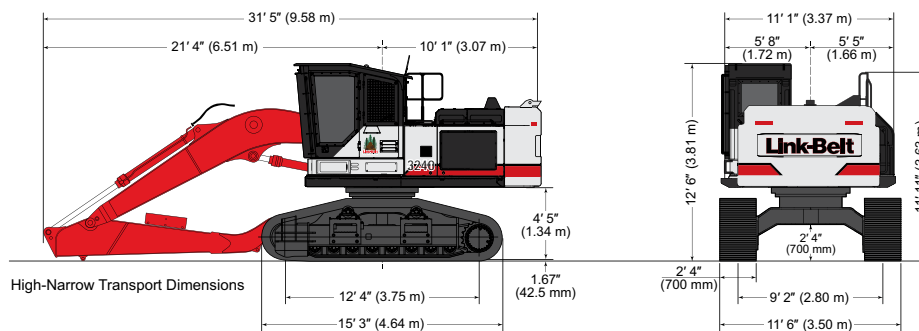
Capacities

Fuel tank 216 gal. (820 liters)
 Hydraulic tank 39 gal. (147 liters)
 Hydraulic system 66 gal. (250 liters)
 Final drive (per side) 2.5 gal. (9.5 liters)
 Swing drive 2.6 gal. (9.7 liters)
 Engine oil 6.1 gal. (23.1 liters)
 DEF Tank 31.7 gal. (120.0 Liters)
 Cooling system 8.3 gal. (31.4 liters)

Operating Weight - No Tool

Working weight with side-entry forestry cab, 12" (305 mm) cab riser, high-narrow undercarriage, 9,380 lb (4 250 kg) counterweight, 27.5" (700 mm) 2-bar shoes, no processing tool 71,341 lbs (32 360 kg)

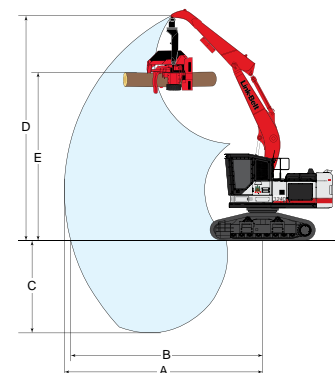
PROCESSOR TRAVEL DIMENSIONS



PROCESSOR WORKING RANGE

Boom Cylinders in High-Lift Position

Machine Equipped with Logging Attachment	High-Narrow Undercarriage
A. Maximum reach	28' 10" (8.80 m)
B. Maximum reach @ ground level	28' 0" (8.53 m)
C. Maximum depth	13' 6" (4.12 m)
D. Maximum height	32' 7" (9.93 m)
E. Maximum log level height	24' 7" (7.50 m)



PROCESSOR SPECIFICATIONS

11' 6" (3.50 m) Arm with 18' 8" (5.70 m) Boom in High-Lift Position - High Narrow Undercarriage

	10' 0" (3.0 m)		15' 0" (4.5 m)		20' 0" (6.0 m)		25' 0" (7.5 m)		Cap at Max. Reach	
	End	Side	End	Side	End	Side	End	Side	End	Side
+30' 0" lbs (9.0 m) kg									7,500*	7,500*
									3 340*	3 340*
+25' 0" lbs (7.5 m) kg					10,500*	10,500*			6,600*	6,600*
					4 880*	4 880*			2 980*	2 980*
+20' 0" lbs (6.0 m) kg			11,750*	11,750*	11,950*	11,950*	9,100*	9,100*	6,300*	6,300*
			5 340*	5 340*	5 480*	5 480*	4 440*	4 440*	2 860*	2 860*
+15' 0" lbs (4.5 m) kg	15,600*	15,600*	15,450*	15,450*	13,400*	13,400*	11,800*	11,800*	6,300*	6,300*
	7 480*	7 480*	7 200*	7 200*	6 170*	6 170*	5 410*	5 410*	2 850*	2 850*
+10' 0" lbs (3.0 m) kg	29,450*	29,450*	19,100*	19,100*	14,800*	14,800*	12,350*	12,350*	6,450*	6,450*
	13 720*	13 720*	8 850*	8 850*	6 810*	6 810*	5 690*	5 690*	2 940*	2 940*
+5' 0" lbs (1.5 m) kg	14,700*	14,700*	21,450*	21,450*	15,900*	15,900*	12,800*	12,800*	6,900*	6,900*
	6 300*	6 300*	9 910*	9 910*	7 340*	7 340*	5 900*	5 900*	3 130*	3 130*
Ground Line kg	17,350*	17,350*	22,000*	22,000*	16,300*	16,300*	12,750*	12,750*	7,650*	7,650*
	7 630*	7 630*	10 140*	10 140*	7 510*	7 510*	5 900*	5 900*	3 480*	3 480*
-5' 0" lbs (1.5 m) kg	24,600*	24,600*	20,650*	20,650*	15,500*	15,500*	11,700*	11,700*	9,000*	9,000*
	10 860*	10 860*	9 530*	9 530*	7 150*	7 150*	5 460*	5 460*	4 080*	4 080*
-10' 0" lbs (3.0 m) kg	23,000*	23,000*	17,350*	17,350*	12,950*	12,950*			9,600*	9,600*
	10 620*	10 620*	8 030*	8 030*	6 040*	6 040*			4 370*	4 370*

Notes: Lifting capacities

- Lifting capacities shown should not be exceeded. Weight of all lifting accessories must be deducted from the above lifting capacities. Lifting capacities for Log Loader attachment include a heel rack, but not grapple. Addition of grapple weight must be deducted from lift capacities.
- Lifting capacities are based on machine standing on firm, uniform supporting surface. User must make allowances for job conditions such as soft or uneven ground.
- Lifting capacities shown do not exceed 75% of minimum tipping loads or 87% of hydraulic capacities. Capacities marked with an asterisk (*) are limited by hydraulic capacities.
- Least stable position is over the side.
- Operator should be fully acquainted with the Operator's Manual & Operating Safety Booklet, furnished by LBX before operating the machine.
- Capacities apply only to the machine as originally manufactured and normally equipped by LBX Company LLC.



TELEMATICS WITH NO SUBSCRIPTION FEE

RemoteCARE® lets you remotely monitor and track machine location, operational performance, working status and periodic maintenance requirements - now at no cost to you. It tracks and records both routine and major service intervals for your machines, giving you more flexibility and control when scheduling maintenance procedures. It also lets you be more proactive if potential failure conditions arise; whenever a diagnostic trouble code (DTC) is detected, a warning message appears on the machine display, and an e-mail alert is automatically sent to you. RemoteCARE also assists in theft prevention by offering 24/7 surveillance and geofencing capabilities.

FREE Subscription Includes:

- ✓ 24/7 Remote Monitoring and Security
- ✓ Machine Location
- ✓ Geo-fence & Curfew Range
- ✓ Actual Fuel Consumption
- ✓ Fuel Levels
- ✓ Hour Meter Reading
- ✓ Radiator Water Temperature
- ✓ Machine Working Time/Idle Time
- ✓ Attachment Working Hours
- ✓ Working Modes
- ✓ Service Maintenance Reminders
- ✓ Service Warnings

REMOTE CARE® APP

Manage your Link-Belt equipment with this user friendly telematics management tool with GPS technology. The RemoteCARE App provides timely and reliable machine utilization.

App features include...

- Machine location
- Fuel efficiency
- DTC notification history
- Fuel consumption
- Analytical snapshots
- Favorite list
- Utilization report
- Idle rate

Download Apple or Android app at lbxco.com/apps for phone & tablet.

FORESTRY STANDARD & OPTIONAL EQUIPMENT

STANDARD EQUIPMENT

CAB

- LED exterior lights
- Key fob with remote machine light-up functionality; (2) riser step, (3) cab
- SCM air-suspension heated seat, sliding/reclining, adjustable armrests, lumbar support, retractable seat belt, +/- 5 degree tilt
- 4-position tilting consoles with memory position and hydraulic lock-out
- Auto climate control a/c & heat, defrost
- Sirius® Satellite ready sound system w/ AM/FM, MP3 port, USB port, dual speakers & mute button
- Job ticket slot, cup holder, 12-volt accessory outlet, digital clock, 24-volt cigarette lighter, ashtray, dome light, coat hook, high output dual horn, floor mat
- 2-position LED swivel map lights w/ red ambient illumination for safety & night vision compatibility
- High definition LCD monitor w/ full color 7" display
- Anti-theft device
- Single motor dual arm intermittent/continuous windshield wiper w/ washer
- Single pedal travel
- Travel alarm with cancellation switch
- CB radio & antenna mounting provision
- Vandal locks with common key
- On-board diagnostic system
- Rear view camera (full time display)
- RemoteCARE – telematics
- 2-position sun shade

OPTIONAL EQUIPMENT

CAB

- Oregon OSHA/ROPS/WCB compliant side-entry forestry cab with sky roof and escape hatch
- Oregon OSHA/ROPS/WCB compliant rear-entry forestry cab with 48" hydraulic tilting riser; only available when equipped with B-N-T arm.
- 1/2" front window polycarbonate

ENGINE

- EPA Tier IV Isuzu diesel engine, no DPF system to maintain
- Three selectable work modes
- 85 amp alternator
- Common rail fuel injection
- Turbocharger with intercooler
- Neutral safety start
- Idle start
- Glow plug pre-heat
- Auto engine warm-up
- Auto idling system
- One-touch idle
- Dual remote fuel filters with water separation
- Double element air filter with in-cab restriction indicator (SE only)
- Remote, full-flow engine oil filter
- Green plug engine oil drain
- EPF Engine Protection
- Emergency engine stop
- Engine oil & hydraulic oil sample ports
- Battery disconnect switch

HYDRAULICS

- Open-center hydraulic system
- Auto swing priority
- Auxiliary hydraulics for open/close/rotate
- Pre-set auxiliary pump settings
- Control levers pre-wired for auxiliary
- Two-speed with auto shift & straight travel
- Attachment cushion valve

- 1-1/4" front window polycarbonate - **LBX** requires 1-1/4" front window polycarbonate for all machines with a processing head installed.

HYDRAULICS

- Hydraulic reversible fan

UNDERCARRIAGE

- 27.5" (700 mm) single-bar grouser

- Boom regeneration
- Boom and arm holding valves
- Centralized lube banks

UNDERCARRIAGE

- Sealed and lubricated track chain
- Forestry-style upper roller brackets w/ scrapers
- Planetary drive
- Spring-applied, hydraulic release brake
- 27.5" (700 mm) 2-bar grouser
- Full-length track guards (2 piece, bolt-on)
- HD purpose-built swivel guard belly pan
- HD purpose-built upper belly pans
- HD purpose-built reinforced frame (upper & lower)
- HD purpose-built travel motor covers

UPPERSTRUCTURE

- Rear mounted fuel tank
- HD purpose-built pump & radiator doors
- HD purpose-built tank skin
- HD purpose-built full length catwalks w/ non-skid edge treatment- welded
- HD purpose-built turntable bearing & swing motor
- RH corner guard w/ (2) lights & (2) horns
- Non-skid surface pads
- 9,150 lbs (4 150 kg) Forestry counterweight
- ISO compliant guard and hand rails along upper structure
- Large RH storage box

ATTACHMENT

- HD boom cylinder guard
- Arm cylinder guards (TL)

- 27.5" (700 mm) 3-bar grouser

UPPERSTRUCTURE

- "Hockey Stick" guard for RH front corner guard

ATTACHMENT

- Log loader attachment equipped w/ live-heel (TL)



3240 FORESTRY EQUIPMENT

Timber Loaders • Road Builders • Processors



Timber Loaders

We've earned our reputation for building strong and dependable log loaders for use in the woods or millyards. Our loaders can be equipped with Fixed or Live-Heel booms to handle large diameter logs and tree-length loads. Or choose from a variety of Butt-N-Top grapple options to match your needs perfectly.



Road Builders

For tasks such as pioneering, construction and maintenance of access roads and right-of-way logging, we've got the right machines for the job. Our road builders are built to move boulders, dig trenches or clear debris with ease.



Processors

Link-Belt Forestry swing machines are designed to be configured as high-capacity timber processors with your choice of harvesting heads. Choose high-wide or high-narrow undercarriage, single-bar or three-bar grouser shoes to match your application perfectly.

ROCK-SOLID WARRANTY COVERAGE

All 40 Series machines are backed by a 3-year/3,000 hour Full Machine Warranty*, 2-year/3,000 hour Engine Warranty (2,000 hrs engine electrical parts), 3-year/5,000 hour Powertrain Warranty, 3-year/10,000 hour XtraStructure Warranty (exclusions apply: scrap, demolition, material handling, severe or extreme duty applications, non-Link-Belt attachments), 5-year/3,000 hour EPA Emissions Warranty and participation in the LBX Fluids Analysis Program for the duration of the Powertrain warranty. Extended warranty coverage packages are also available. FREE RemoteCARE® telematics.

**Applies to 2018 or newer serialized models only.*



OUR DEALERS KNOW THEIR WAY AROUND THE WOODS

A network of Link-Belt Forestry and Excavator dealers across the U.S. and Canada is waiting to serve you. Expect fast and dependable service, backed by 24/7 access to parts.



LBX Company is the proud maker of quality Link-Belt excavators and is located in Lexington, KY.

#LBX2393 Litho in USA 2/19 LBX® and Link-Belt® are registered trademarks. Copyright 2019. All rights reserved. We are constantly improving our products and therefore reserve the right to change designs and specifications.

Link-Belt
FORESTRY
linkbeltforestry.com