

SPECIALTIONS
SPECIALTIONS
SPECIALTIONS

3740

FORESTRY EQUIPMENT

Timber Loaders • Road Builders • Processors



Link-Belt
FORESTRY



PURPOSE-BUILT FOR THE WORK YOU DO

Link-Belt Forestry machines are designed and built with you in mind. Whether you're pioneering sites, building access roads, harvesting timber, processing logs or loading trucks at the mill yard, we've got the right equipment for the job. The new Link-Belt 3740 forestry machine features a powerful, fuel-efficient Final Tier 4 engine that doesn't require a DPF, matched to a 50% larger fuel tank that keeps you working longer. 3740 forestry machines offer up to 10% improved cycle times, best-in-class swing torque, and up to 14% better fuel economy. This attention to detail insures that Link-Belt Forestry machines deliver outstanding performance and productivity where it matters most. We focus on the machine so you can focus on your work.



ATTENTION TO DETAILS AT EVERY LEVEL

- (A)** Oregon OSHA/WCB-certified cabs are 8082-2 compliant; available with sky roof and escape hatch. Choose rear-entry or side-entry cabs and risers; impact-resistant polycarbonate windows.
- (B)** 7" high-definition color monitor; full-time rear-view camera is standard. RemoteCARE® telematics keeps a watchful eye on performance, maintenance intervals and theft deterrence.
- (C)** Superior maneuverability and fine control, with dedicated control valve for application and forestry-exclusive circuit for arm-in-arm regeneration and arm-2 spool.
- (D)** Convenient ticket slot; operator doesn't have to bend down to hand the truck driver a log ticket.



- (E)** Faster cycle time and attachment speed:
- 36% faster boom-down/arm-in
 - 9% faster boom up/swing
 - 11% swing torque increase
 - Up to 5% bonus lifting capacity due to wider lifting area and rear-mounted counterweight
- (F)** Heavy-duty components built for the woods include house doors; covers; protective guards; redesigned undercarriage; reinforced boom foot revolving frame; factory-fabricated attachment with optimized heel.
- (G)** Tough, field-repairable parts include 3-pc. steel engine hood; add-on hockey stick; LED lights and no-bolt oil filler.
- (H)** Servicing is a snap, with convenient access to all routine service points, including sample ports for engine and hydraulic oil. All service ports can be accessed via hand-turn knobs, no tools needed.





TIMBER LOADER SPECIFICATIONS

Engine

Isuzu AQ-4HK1X Final Tier 4 turbocharged diesel engine
 SAE J 1349 net hp..... 177 HP (132 kW) @ 2,000 rpm
 Displacement 5.2 L
 Maximum torque..... 458 lbf-ft (621 N-m) @ 1,800 rpm
 Starter..... 24V-5.0kW
 Alternator..... 85 amp
 Battery..... (2) 12-volt 92 amp hours

Hydraulic System

Hydraulic Pumps

Maximum flow 2 x 61.8 gpm (2 x 234 l/min)
 Pilot pump maximum flow 5.3 gpm (20 l/min)
 Auxiliary pump maximum flow..... 9.7 gpm (36.8 l/min)

Relief Valve Settings

Boom/arm/tool..... 4,970 psi (343 bar)
 Swing circuit 4,410 psi (304 bar)
 Travel..... 4,970 psi (343 bar)

Hydraulic Oil Filtration

Return filter..... 6 micron
 Pilot filter..... 8 micron
 Suction screen..... 105 micron

Swing

Swing speed..... 0 - 9.0 rpm
 Tail swing..... 10' 8" (3.25 m)
 Swing torque 76,710 lbf-ft. (104 kN-m)

Undercarriage

Carrier rollers 2 per side
 Track rollers 8 per side
 Track link pitch 8.50" (216 mm)
 Shoes..... 47 per side
 Shoe width 27.5" (700 mm)
 Ground Pressure (less cab) 8.99 psi (0.062 MPa)

Travel System

Max. travel speed..... 1.6 - 2.7 mph (2.6 - 4.4 km/h)
 Drawbar pull 58,000 lbf (258 kN)
 Gradeability 70% (35°)

Attachment

Boom..... 20' 10" (6.35 m)
 Arm..... 12' 6" (3.81 m)

Capacities

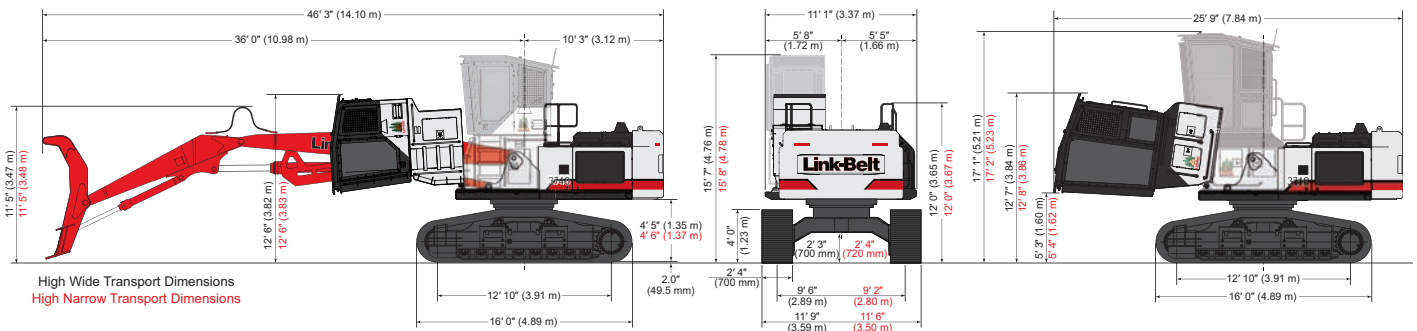
Fuel tank..... 216 gal. (820 liters)
 Hydraulic tank..... 39 gal. (147 liters)
 Hydraulic system 66 gal. (250 liters)
 Final drive (per side)..... 2.1 gal. (8.0 liters)
 Swing drive..... 1.1 gal. (4.2 liters)
 Engine oil..... 6.1 gal. (23.1 liters)
 DEF Tank..... 31.7 gal. (120.0 Liters)
 Cooling system..... 8.3 gal. (31.4 liters)

Operating Weight - No Tool

Working weight with side-entry forestry cab, 48" (1.22 m) cab riser, live-heel logging attachment, high-wide undercarriage, 27.5" (700 mm) 2-bar shoes 85,650 lbs (38 850 kg)

Working weight with rear-entry forestry cab, 48" (1.22 m) cab riser, live-heel logging attachment, high-wide undercarriage, 27.5" (700 mm) 2-bar shoes 86,310 lbs (39 150 kg)

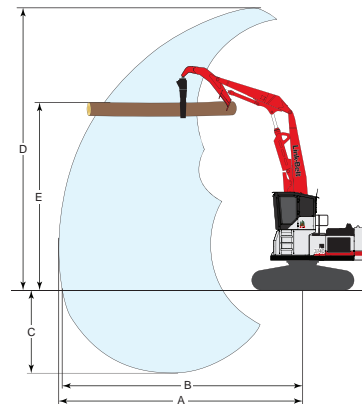
TIMBER LOADER TRAVEL DIMENSIONS



TIMBER LOADER WORKING RANGE

Equipped with Logging Attachment	High Narrow	High Wide
A. Maximum reach	38' 4" (11.68 m)	38' 4" (11.68 m)
B. Maximum reach @ ground level	37' 8" (11.47 m)	37' 8" (11.47 m)
C. Maximum depth	13' 0" (3.98 m)	13' 1" (4.00 m)
D. Maximum height	44' 3" (13.48 m)	44' 2" (13.46 m)
E. Maximum log level height	30' 1" (9.16 m)	29' 11" (9.14 m)

Working range shown at grapple pin location with live-heel extended



TIMBER LOADER LIFTING CAPACITIES

12' 6" (3.81 m) Arm with 20' 10" (6.35 m) Boom and Live-Heel (High Wide)

	10' 0" (3.05 m)		15' 0" (4.57 m)		20' 0" (6.10 m)		25' 0" (7.62 m)		30' 0" (9.14 m)		35' 0" (10.66 m)		Cap at Max. Reach	
	End	Side	End	Side	End	Side	End	Side	End	Side	End	Side	End	Side
+40' 0" lbs (12.19 m) kg			26,200* 11 880*	26,200* 11 880*									22,750* 10 320*	22,750* 10 320*
+35' 0" lbs (10.66 m) kg					20,300* 9 220*	20,300* 9 220*	18,700* 8 480*	17,800 8 080					18,250* 8 280*	16,150 7 340
+30' 0" lbs (9.14 m) kg					20,000* 9 070*	20,000* 9 070*	18,100* 8 210*	17,850* 8 090*	16,350* 7 410*	13,250 6 010			16,100* 7 310*	16,100* 7 310*
+25' 0" lbs (7.62 m) kg					21,300* 9 660*	21,300* 9 660*	18,700* 8 490*	18,050 8 190	16,250* 7 360*	13,500 6 130			14,150 6 420	10,650 4 830
+20' 0" lbs (6.10 m) kg					20,600* 9 340*	20,600* 9 340*	19,250* 8 730*	18,200 8 260	16,650* 7 550*	13,450 6 110	13,550 6 140	10,200 4 630	12,750 5 780	9,550 4 330
+15' 0" lbs (4.57 m) kg			20,550* 9 330*	20,550* 9 330*	22,400* 10 160*	22,400* 10 160*	20,150* 9 140*	17,800 8 080	16,950 7 680	13,250 6 010	13,500 6 130	10,200 4 620	11,900 5 410	8,900 4 040
+10' 0" lbs (3.05 m) kg			31,850* 14 440*	31,850* 14 440*	24,950* 11 320*	24,450 11 090	21,000* 9 520*	17,250 7 830	17,050* 7 730*	12,950 5 870	13,350 6 060	10,050 4 550	11,500 5 230	8,600 3 900
+5' 0" lbs (1.52 m) kg			35,550* 16 120*	35,450 16 080	26,700* 12 100*	23,300 10 570	21,300* 9 660*	16,650 7 560	16,800 7 620	12,600 5 720	13,200 5 990	9,900 4 480	11,000* 4 980*	8,550 3 870
Ground Line lbs kg			20,200* 9 170*	20,200 9 170	27,100* 12 290*	22,400 10 160	21,000* 9 520*	16,150 7 340	16,500 7 480	12,350 5 600	12,900* 5 840*	9,750 4 430	9,850* 4 470*	8,750 3 970
-5' 0" lbs (1.52 m) kg	9,150* 4 150*	9,150* 4 150*	21,250* 9 630*	21,250* 9 630*	25,500* 11 570*	22,050 9 990	19,650* 8 920*	15,950 7 230	15,200* 6 900*	12,200 5 540	10,600* 4 800*	9,750 4 420	9,200* 4 170*	9,200* 4 170*
-10' 0" lbs (3.05 m) kg			25,850* 11 720*	25,850* 11 720*	21,900* 9 930*	21,550 9 780	16,750* 7 600*	15,800 7 180	12,150* 5 500*	12,050 5 460			11,000* 4 990*	11,000* 4 990*

12' 6" (3.81 m) Arm with 20' 10" (6.35 m) Boom and Live-Heel (High Narrow)

	10' 0" (3.05 m)		15' 0" (4.57 m)		20' 0" (6.10 m)		25' 0" (7.62 m)		30' 0" (9.14 m)		35' 0" (10.66 m)		Cap at Max. Reach	
	End	Side	End	Side	End	Side	End	Side	End	Side	End	Side	End	Side
+40' 0" lbs (12.19 m) kg			26,150* 11 860*	26,150* 11 860*									22,700* 10 290*	22,700* 10 290*
+35' 0" lbs (10.66 m) kg					20,900* 9 490*	20,900* 9 490*	18,700* 8 470*	17,200 7 810					18,250* 8 270*	15,550 7 050
+30' 0" lbs (9.14 m) kg					20,000* 9 070*	20,000* 9 070*	18,100* 8 210*	17,750 8 040	16,350* 7 410*	12,800 5 800			16,100* 7 300*	12,100 5 480
+25' 0" lbs (7.62 m) kg					21,300* 9 670*	21,300* 9 670*	18,700* 8 490*	17,700* 8 030*	16,250* 7 360*	13,050 5 920			14,100 6 410	10,250 4 650
+20' 0" lbs (6.10 m) kg					20,600* 9 350*	20,600* 9 350*	19,250* 8 740*	17,650 8 000	16,650* 7 550*	13,000 5 900	13,550 6 140	9,850 4 470	12,700 5 770	9,200 4 170
+15' 0" lbs (4.57 m) kg			20,600* 9 350*	20,600* 9 350*	22,400* 10 170*	22,400* 10 170*	20,150* 9 140*	17,200 7 800	16,950 7 680	12,800 5 800	13,500 6 130	9,800 4 450	11,900 5 410	8,600 3 890
+10' 0" lbs (3.05 m) kg			31,900* 14 460*	31,900* 14 460*	24,950* 11 330*	23,550 10 690	21,000* 9 520*	16,650 7 550	17,050* 7 730*	12,450 5 660	13,350 6 060	9,650 4 390	11,500 5 230	8,250 3 750
+5' 0" lbs (1.52 m) kg			35,550* 16 130*	33,950 15 390	26,700* 12 110*	22,400 10 170	21,300* 9 660*	16,050 7 280	16,800 7 610	12,150 5 510	13,200 5 990	9,500 4 320	11,000* 4 980*	8,200 3 730
Ground Line lbs kg			20,150* 9 140*	20,150 9 140	27,100* 12 290*	21,550 9 770	21,000* 9 520*	15,550 7 060	16,500 7 480	11,900 5 390	12,850* 5 840*	9,400 4 260	9,850* 4 470*	8,400 3 820
-5' 0" lbs (1.52 m) kg	9,200* 4 170*	9,200* 4 170*	21,250* 9 650*	21,250* 9 650*	25,500* 11 560*	21,150 9 600	19,650* 8 910*	15,350 6 950	15,200* 6 890*	11,750 5 330	10,550* 4 790*	9,400 4 250	9,200* 4 170*	8,950 4 070
-10' 0" lbs (3.05 m) kg			25,900* 11 750*	25,900* 11 750*	21,850* 9 910*	20,850* 9 450*	16,700* 7 580*	15,200 6 910	12,100* 5 480*	11,700 5 300			11,050* 5 010*	11,050* 5 010*

Notes: Lifting capacities

- Lifting capacities shown should not be exceeded. Weight of all lifting accessories must be deducted from the above lifting capacities. Lifting capacities for Log Loader attachment include a heel rack, but not grapple. Addition of grapple weight must be deducted from lift capacities.
- Lifting capacities are based on machine standing on firm, uniform supporting surface. User must make allowances for job conditions such as soft or uneven ground.
- Lifting capacities shown do not exceed 75% of minimum tipping loads or 87% of hydraulic capacities. Capacities marked with an asterisk (*) are limited by hydraulic capacities.
- Least stable position is over the side.
- Operator should be fully acquainted with the Operator's Manual & Operating Safety Booklet, furnished by LBX before operating the machine.
- Capacities apply only to the machine as originally manufactured and normally equipped by LBX Company LLC.



ROAD BUILDER SPECIFICATIONS

Engine

Isuzu AQ-4HK1X Final Tier 4 turbocharged diesel engine
 SAE J 1349 net hp..... 177 HP (132 kW) @ 2,000 rpm
 Displacement 5.2 L
 Maximum torque..... 458 lbf-ft (621 N-m) @ 1,800 rpm
 Starter..... 24V-5.0kW
 Alternator..... 85 amp
 Battery..... (2) 12-volt 92 amp hours

Hydraulic System

Hydraulic Pumps

Maximum flow 2 x 62 gpm (2 x 234 l/min)
 Pilot pump maximum flow 5.3 gpm (20 l/min)
 Auxiliary pump maximum flow..... 9.7 gpm (36.8 l/min)

Relief Valve Settings

Boom/arm/tool..... 4,970 psi (343 bar)
 Swing circuit..... 4,410 psi (304 bar)
 Travel..... 4,970 psi (343 bar)

Hydraulic Oil Filtration

Return filter..... 6 micron
 Pilot filter..... 8 micron
 Suction screen..... 105 micron

Swing

Swing speed..... 0 - 8.8 rpm
 Tail swing..... 10' 8" (3.25 m)
 Swing torque 77,000 lbf-ft. (104 kN-m)

Undercarriage

Carrier rollers 2 per side
 Track rollers 8 per side
 Track link pitch 8.50" (216 mm)
 Shoes 47 per side
 Shoe width 27.5" (700 mm)
 Ground Pressure (less cab) 8.59 psi (0.059 MPa)

Travel System

Max. travel speed..... 1.6 - 2.7 mph (2.6 - 4.4 km/h)
 Drawbar pull 58,000 lbf (258 kN)
 Gradeability 70% (35°)

Attachment

Boom..... 19' 2" (5.85 m)
 Arm..... 9' 10" (3.00 m)

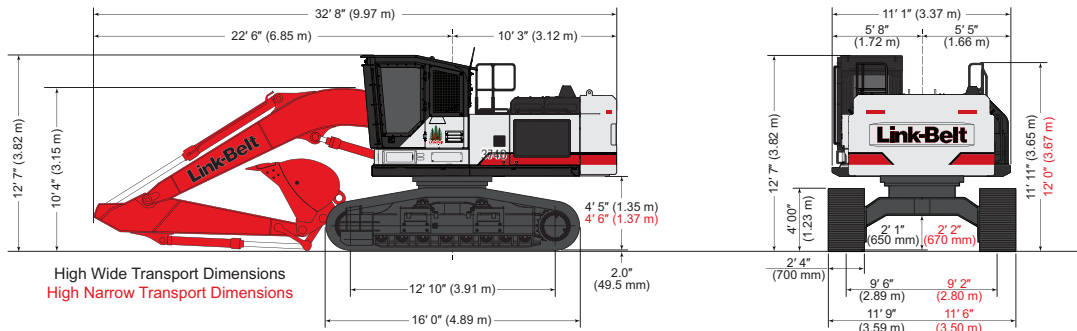
Capacities

Fuel tank..... 216 gal. (820 liters)
 Hydraulic tank..... 39 gal. (147 liters)
 Hydraulic system 66 gal. (250 liters)
 Final drive (per side)..... 2.1 gal. (8 liters)
 Swing drive..... 1.1 gal. (4.2 liters)
 Engine oil..... 6.1 gal. (23.1 liters)
 DEF Tank..... 31.7 gal. (120.0 Liters)
 Cooling system..... 8.3 gal. (31.4 liters)

Operating Weight - No Tool

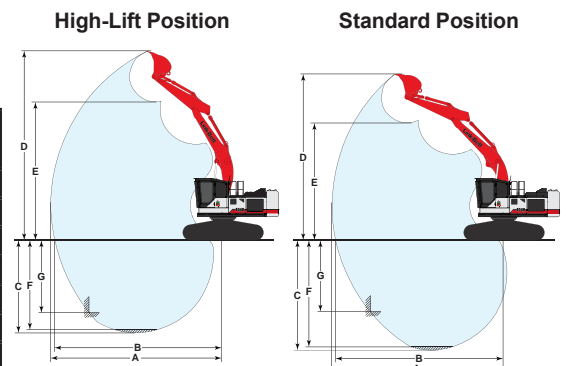
Working weight with side-entry forestry cab, 12" (305 mm) cab riser, road builder attachment, 11,100 lb. (5,050 kg) counterweight, 27.5" (700 mm) 2-bar shoes - no bucket
 High-wide undercarriage 79,236 lbs (35,941 kg)
 High-narrow undercarriage 79,236 lbs (35,941 kg)

ROAD BUILDER TRAVEL DIMENSIONS



ROAD BUILDER WORKING RANGE

Machine Equipped with 19' 2" (5.85 m) Boom, 9' 10" (3.00 m) Arm	High-Lift Position		Standard Position	
	High Wide Undercarriage	High Narrow Undercarriage	High Wide Undercarriage	High Narrow Undercarriage
A. Maximum reach	33' 10" (10.30 m)	33' 10" (10.30 m)	33' 10" (10.30 m)	33' 10" (10.30 m)
B. Maximum reach @ ground level	33' 0" (10.06 m)	33' 0" (10.06 m)	33' 0" (10.06 m)	33' 0" (10.06 m)
C. Maximum dig depth	17' 2" (5.24 m)	17' 1" (5.22 m)	21' 9" (6.63 m)	21' 8" (6.62 m)
D. Maximum dig height	38' 2" (11.64 m)	38' 3" (11.66 m)	32' 11" (10.05 m)	33' 0" (10.06 m)
E. Maximum dump height	27' 10" (8.49 m)	27' 11" (8.51 m)	23' 6" (7.17 m)	23' 7" (7.19 m)
F. Digging depth 8' (2.44 m) level bottom	16' 8" (5.08 m)	16' 7" (5.06 m)	21' 3" (6.47 m)	21' 2" (6.45 m)
G. Maximum vertical wall depth	12' 11" (3.93 m)	12' 10" (3.91 m)	14' 11" (4.54 m)	14' 10" (4.53 m)



ROAD BUILDER LIFTING CAPACITIES

9' 10" (3.00 m) Arm with 19' 2" (5.85 m) Boom in Standard Position and 2,110 lb. (957 kg) Bucket - High Wide Undercarriage

	5' 0" (1.5 m)		10' 0" (3.0 m)		15' 0" (4.5 m)		20' 0" (6.0 m)		25' 0" (7.5 m)		30' 0" (9.0 m)		Cap at Max. Reach	
	End	Side	End	Side	End	Side	End	Side	End	Side	End	Side	End	Side
+30' 0" (9.0 m) lbs													4,850*	4,850*
+25' 0" (7.5 m) lbs									8,700*	8,700*			4,400*	4,400*
+20' 0" (6.0 m) lbs									3,970*	3,970*			1,980*	1,980*
+15' 0" (4.5 m) lbs					15,400*	15,400*	12,650*	12,650*	9,450*	9,450*	6,100*	6,100*	4,200*	4,200*
+10' 0" (3.0 m) lbs			27,300*	27,300*	20,550*	20,550*	15,100*	15,100*	12,300*	12,300*	10,600*	10,600*	4,350*	4,350*
+5' 0" (1.5 m) lbs			18,500*	18,500*	24,150*	24,150*	17,150*	17,150*	13,500*	13,500*	11,200*	11,200*	4,700*	4,700*
Ground Line	10,100*	10,100*	19,150*	19,150*	25,700*	25,700*	18,300*	18,300*	14,100*	14,100*	9,600*	9,600*	5,300*	5,300*
-5' 0" (1.5 m) lbs	4,550*	4,550*	8,450*	8,450*	11,880*	11,880*	8,450*	8,450*	6,520*	6,520*	5,090*	5,090*	2,410*	2,410*
-10' 0" (3.0 m) lbs	7,350*	7,350*	11,030*	11,030*	11,840*	11,840*	8,530*	8,530*	6,540*	6,540*			2,970*	2,970*
-15' 0" (4.5 m) lbs	22,950*	22,950*	34,600*	34,600*	24,550*	24,550*	17,850*	17,850*	13,250*	13,250*			8,300*	8,300*
	10,260*	10,260*	15,320*	15,320*	11,350*	11,350*	8,260*	8,260*	6,190*	6,190*			3,740*	3,740*
	33,000*	33,000*	30,750*	30,750*	21,200*	21,200*	15,000*	15,000*					11,850*	11,850*
	14,630*	14,630*	14,310*	14,310*	9,880*	9,880*	7,060*	7,060*					5,310*	5,310*

9' 10" (3.00 m) Arm with 19' 2" (5.85 m) Boom in High Lift Position and 2,110 lb. (957 kg) Bucket - High Wide Undercarriage

	5' 0" (1.5 m)		10' 0" (3.0 m)		15' 0" (4.5 m)		20' 0" (6.0 m)		25' 0" (7.5 m)		30' 0" (9.0 m)		Cap at Max. Reach	
	End	Side	End	Side	End	Side	End	Side	End	Side	End	Side	End	Side
+30' 0" (9.0 m) lbs							8,100*	8,100*					4,850*	4,850*
+25' 0" (7.5 m) lbs							3,770*	3,770*					2,170*	2,170*
+20' 0" (6.0 m) lbs							9,750*	9,750*	8,700*	8,700*			4,400*	4,400*
+15' 0" (4.5 m) lbs					17,300*	17,300*	14,600*	14,600*	4,020*	4,100*			1,980*	1,980*
+10' 0" (3.0 m) lbs			33,350*	33,350*	23,500*	23,500*	17,300*	17,300*	11,950*	11,950*	10,350*	10,350*	4,200*	4,200*
+5' 0" (1.5 m) lbs			18,500*	18,500*	25,850*	25,850*	18,500*	18,500*	5,530*	5,530*	6,100*	6,100*	4,200*	4,200*
Ground Line	10,100*	10,100*	19,150*	19,150*	25,950*	25,950*	18,650*	18,650*	14,300*	14,300*	9,600*	9,600*	5,300*	5,300*
-5' 0" (1.5 m) lbs	4,550*	4,550*	8,450*	8,450*	11,980*	11,980*	8,630*	8,630*	6,730*	6,730*	5,940*	5,940*	2,410*	2,410*
-10' 0" (3.0 m) lbs	7,350*	7,350*	11,030*	11,030*	11,450*	11,450*	8,370*	8,370*	6,370*	6,370*	5,220*	5,220*	2,970*	2,970*
-15' 0" (4.5 m) lbs	22,950*	22,950*	30,100*	30,100*	21,600*	21,600*	15,850*	15,850*	14,300*	14,300*	11,400*	11,400*	8,300*	8,300*
	10,260*	10,260*	13,910*	13,910*	10,010*	10,010*	7,380*	7,380*	6,330*	6,330*	5,280*	5,280*	3,740*	3,740*
	20,600*	20,600*	15,450*	15,450*	15,450*	15,450*	10,600*	10,600*	5,280*	5,280*			7,250*	7,250*
	9,670*	9,670*	7,290*	7,290*	5,120*	5,120*							3,350*	3,350*

9' 10" (3.00 m) Arm with 19' 2" (5.85 m) Boom in Standard Position and 2,110 lb. (957 kg) Bucket - High Narrow Undercarriage

	5' 0" (1.5 m)		10' 0" (3.0 m)		15' 0" (4.5 m)		20' 0" (6.0 m)		25' 0" (7.5 m)		30' 0" (9.0 m)		Cap at Max. Reach	
	End	Side	End	Side	End	Side	End	Side	End	Side	End	Side	End	Side
+30' 0" (9.0 m) lbs													4,850*	4,850*
+25' 0" (7.5 m) lbs									8,700*	8,700*			4,400*	4,400*
+20' 0" (6.0 m) lbs									3,970*	3,970*			1,980*	1,980*
+15' 0" (4.5 m) lbs					15,400*	15,400*	12,650*	12,650*	9,450*	9,450*	6,100*	6,100*	4,200*	4,200*
+10' 0" (3.0 m) lbs			27,300*	27,300*	20,550*	20,550*	15,100*	15,100*	12,300*	12,300*	10,600*	10,600*	4,350*	4,350*
+5' 0" (1.5 m) lbs			18,500*	18,500*	24,150*	24,150*	17,150*	17,150*	13,500*	13,500*	11,200*	11,200*	4,700*	4,700*
Ground Line	10,100*	10,100*	19,150*	19,150*	25,700*	25,700*	18,300*	18,300*	14,100*	14,100*	9,600*	9,600*	5,300*	5,300*
-5' 0" (1.5 m) lbs	4,550*	4,550*	8,450*	8,450*	11,880*	11,880*	8,450*	8,450*	6,520*	6,520*	5,090*	5,090*	2,410*	2,410*
-10' 0" (3.0 m) lbs	7,350*	7,350*	11,030*	11,030*	11,840*	11,840*	8,530*	8,530*	6,540*	6,540*			2,970*	2,970*
-15' 0" (4.5 m) lbs	22,950*	22,950*	34,600*	34,600*	24,550*	24,550*	17,850*	17,850*	13,250*	13,250*			8,300*	8,300*
	10,260*	10,260*	15,320*	15,320*	11,350*	11,350*	8,260*	8,260*	6,190*	6,190*			3,740*	3,740*
	33,000*	33,000*	30,750*	30,750*	21,200*	21,200*	15,000*	15,000*					11,850*	11,850*
	14,630*	14,630*	14,310*	14,310*	9,880*	9,880*	7,060*	7,060*					5,310*	5,310*

9' 10" (3.00 m) Arm with 19' 2" (5.85 m) Boom in High Lift Position and 2,110 lb. (957 kg) Bucket - High Narrow Undercarriage

	5' 0" (1.5 m)		10' 0" (3.0 m)		15' 0" (4.5 m)		20' 0" (6.0 m)		25' 0" (7.5 m)		30' 0" (9.0 m)		Cap at Max. Reach	
	End	Side	End	Side	End	Side	End	Side	End	Side	End	Side	End	Side
+30' 0" (9.0 m) lbs							8,100*	8,100*					4,850*	4,850*
+25' 0" (7.5 m) lbs							3,770*	3,770*					2,170*	2,170*
+20' 0" (6.0 m) lbs							9,750*	9,750*	8,700*	8,700*			4,400*	4,400*
+15' 0" (4.5 m) lbs					17,300*	17,300*	14,600*	14,600*	4,020*	4,100*			1,980*	1,980*
+10' 0" (3.0 m) lbs			33,350*	33,350*	23,500*	23,500*	17,300*	17,300*	11,950*	11,950*	10,350*	10,350*	4,200*	4,200*
+5' 0" (1.5 m) lbs			18,500*	18,500*	25,850*	25,850*	18,500*	18,500*	5,530*	5,530*	6,100*	6,100*	4,200*	4,200*
Ground Line	10,100*	10,100*	19,150*	19,150*	25,950*	25,950*	18,650*	18,650*	14,300*	14,300*	9,600*	9,600*	5,300*	5,300*
-5' 0" (1.5 m) lbs	4,550*	4,550*	8,450*	8,450*	11,980*	11,980*	8,630*	8,630*	6,730*	6,730*	5,940*	5,940*	2,410*	2,410*
-10' 0" (3.0 m) lbs	7,350*	7,350*	11,030*	11,030*	11,450*	11,450*	8,370*	8,370*	6,370*	6,370*	5,220*	5,220*	2,970*	2,970*
-15' 0" (4.5 m) lbs	22,950*	22,950*	30,100*	30,100*	21,600*	21,600*	15,850*	15,850*	14,300*	14,300*	11,400*	11,400*	8,300*	8,300*
	10,260*	10,260*	13,910*	13,910*	10,010*	10,010*	7,380*	7,380*	6,330*	6,330*	5,280*	5,280*	3,740*	3,740*
	20,600*	20,600*	15,450*	15,450*	15,450*	15,450*	10,600*	10,600*	5,280*	5,280*			7,250*	7,250*
	9,670*	9,670*	7,290*	7,290*	5,120*	5,120*							3,350*	3,350*

ROAD BUILDER BUCKET SIZES

High-Narrow Undercarriage

Bucket Type	SAE Heaped Capacity		Width Outside Lip		Bucket Weight		Number of Teeth	Arm Length 9' 10" (3.00 m)
	(yd ³)	(m ³)	(in)	(mm)	(lbs)	(kg)		
STDP Standard duty plate	0.80	0.61	24	610	1285	583	3	H
	1.06	0.81	30	762	1458	661	4	H
	1.33	1.02	36	914	1630	739	5	H
	1.61	1.23	42	1067	1774	805	5	H
	1.89	1.45	48	1219	1918	870	5	H
	2.16	1.65	54	1372	2091	948	6	H
2.43	1.86	60	1524	2239	1016	6	H	
HDP Heavy duty plate	0.80	0.61	24	610	1498	679	3	H
	1.06	0.81	30	762	1705	773	4	H
	1.33	1.02	36	914	1873	850	4	H
	1.61	1.23	42	1067	2080	943	5	H
	1.89	1.45	48	1219	2247	1019	5	H
	2.16	1.65	54	1372	2454	1113	6	H
2.43	1.86	60	1524	2621	1189	6	H	
XDP Extreme duty plate	0.79	0.60	24	610	2230	1012	3	H
	1.05	0.80	30	762	2528	1147	4	H
	1.32	1.01	36	914	2749	1247	4	H
	1.59	1.22	42	1067	3047	1382	5	H
	1.87	1.43	48	1219	3267	1482	5	H
	2.15	1.64	54	1372	3565	1617	6	H
2.43	1.86	60	1524	3786	1717	6	M	
POWER HDP for use with ESCO multi-pin grabber only	0.76	0.58	24	610	3025	1372	3	H
	0.98	0.75	30	762	3183	1444	4	H
	1.21	0.93	36	914	3392	1539	4	H
	1.44	1.10	42	1067	3552	1611	5	H
	1.68	1.28	48	1219	3709	1682	5	H
	1.91	1.46	54	1372	3920	1778	6	H
DITCH	1.30	0.99	60	1524	1767	802	0	H
	1.45	1.11	66	1676	1928	875	0	H
	1.59	1.22	72	1829	2034	923	0	H

High-Wide Undercarriage

Bucket Type	SAE Heaped Capacity		Width Outside Lip		Bucket Weight		Number of Teeth	Arm Length 9' 10" (3.00 m)
	(yd ³)	(m ³)	(in)	(mm)	(lbs)	(kg)		
STDP Standard duty plate	0.80	0.61	24	610	1285	583	3	H
	1.06	0.81	30	762	1458	661	4	H
	1.33	1.02	36	914	1630	739	5	H
	1.61	1.23	42	1067	1774	805	5	H
	1.89	1.45	48	1219	1918	870	5	H
	2.16	1.65	54	1372	2091	948	6	H
2.43	1.86	60	1524	2239	1016	6	H	
HDP Heavy duty plate	0.80	0.61	24	610	1498	679	3	H
	1.06	0.81	30	762	1705	773	4	H
	1.33	1.02	36	914	1873	850	4	H
	1.61	1.23	42	1067	2080	943	5	H
	1.89	1.45	48	1219	2247	1019	5	H
	2.16	1.65	54	1372	2454	1113	6	H
2.43	1.86	60	1524	2621	1189	6	H	
XDP Extreme duty plate	0.79	0.60	24	610	2230	1012	3	H
	1.05	0.80	30	762	2528	1147	4	H
	1.32	1.01	36	914	2749	1247	4	H
	1.59	1.22	42	1067	3047	1382	5	H
	1.87	1.43	48	1219	3267	1482	5	H
	2.15	1.64	54	1372	3565	1617	6	H
2.43	1.86	60	1524	3786	1717	6	H	
POWER HDP for use with ESCO multi-pin grabber only	0.76	0.58	24	610	3025	1372	3	H
	0.98	0.75	30	762	3183	1444	4	H
	1.21	0.93	36	914	3392	1539	4	H
	1.44	1.10	42	1067	3552	1611	5	H
	1.68	1.28	48	1219	3709	1682	5	H
	1.91	1.46	54	1372	3920	1778	6	H
DITCH	1.30	0.99	60	1524	1767	802	0	H
	1.45	1.11	66	1676	1928	875	0	H
	1.59	1.22	72	1829	2034	923	0	H

Approval Code For Arm/Bucket Combinations

H - Heavy material (up to 3,370 lbs./yd³)

M - Medium material (up to 2,700 lbs./yd³)

L - Light material (up to 2,020 lbs./yd³)

N/A - Not applicable



Notes: Lifting capacities

- Lifting capacities shown should not be exceeded. Weight of all lifting accessories must be deducted from the above lifting capacities. Lifting capacities for Log Loader attachment include a heel rack, but not grapple. Addition of grapple weight must be deducted from lift capacities.
- Lifting capacities are based on machine standing on firm, uniform supporting surface. User must make allowances for job conditions such as soft or uneven ground.
- Lifting capacities shown do not exceed 75% of minimum tipping loads or 87% of hydraulic capacities. Capacities marked w/ an asterisk (*) are limited by hydraulic capacities.
- Least stable position is over the side.
- Operator should be fully acquainted with the Operator's Manual & Operating Safety Booklet, furnished by LBX before operating the machine.
- Capacities apply only to the machine as originally manufactured and normally equipped by LBX Company.



PROCESSOR SPECIFICATIONS

Engine

Isuzu AQ-4HK1X Final Tier 4 turbocharged diesel engine
 SAE J 1349 net hp 177 HP (132 kW) @ 2,000 rpm
 Displacement 5.2 L
 Maximum torque 458 lbf-ft (621 N-m) @ 1,800 rpm
 Starter 24V-5.0kW
 Alternator 85 amp
 Battery (2) 12-volt 92 amp hours

Hydraulic System

Hydraulic Pumps

Maximum flow 2 x 62 gpm (2 x 234 l/min)
 Pilot pump maximum flow 5.3 gpm (20 l/min)
 Auxiliary pump maximum flow 9.7 gpm (36.8 l/min)

Relief Valve Settings

Boom/arm/tool 4,970 psi (343 bar)
 Swing circuit 4,410 psi (304 bar)
 Travel 4,970 psi (343 bar)

Hydraulic Oil Filtration

Return filter 6 micron
 Pilot filter 8 micron
 Suction screen 105 micron
 Auxiliary drain line filter 8 micron

Swing

Swing speed 0 - 8.8 rpm
 Tail swing 10' 8" (3.25 m)
 Swing torque 77,000 lbf-ft. (104 kN-m)

Undercarriage

Carrier rollers 2 per side
 Track rollers 8 per side
 Track link pitch 8.50" (216 mm)
 Shoes 47 per side
 Shoe width 27.5" (700 mm)
 Ground Pressure (less cab) 8.56 psi (0.059 MPa)

Travel System

Max. travel speed 1.6 - 2.7 mph (2.6 - 4.4 km/h)
 Drawbar pull 58,000 lbf (258 kN)
 Gradeability 70% (35°)

Attachment

Boom 19' 2" (5.85 m)
 Arm 11' 5" (3.49 m)

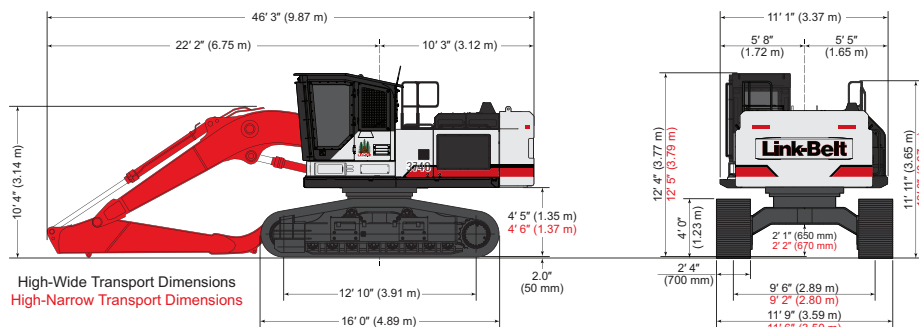
Capacities

Fuel tank 216 gal. (820 liters)
 Hydraulic tank 39 gal. (147 liters)
 Hydraulic system 66 gal. (250 liters)
 Final drive (per side) 2.1 gal. (8.0 liters)
 Swing drive 1.1 gal. (4.2 liters)
 Engine oil 6.1 gal. (23.1 liters)
 DEF Tank 31.7 gal. (120.0 Liters)
 Cooling system 8.3 gal. (31.4 liters)

Operating Weight - No Tool

Working weight with side-entry forestry cab, 12" (305 mm) cab riser, high-narrow undercarriage, 11,130 (5 050 kg) counterweight, 27.5" (700 mm) 2-bar shoes, no processing tool 78,972 lbs (35 821 kg)

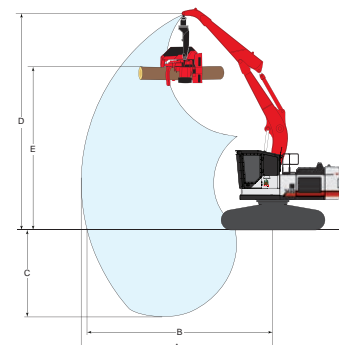
PROCESSOR TRAVEL DIMENSIONS



PROCESSOR WORKING RANGE

Boom Cylinders in High-Lift Position

Machine Equipped with Logging Attachment	High-Narrow Undercarriage	High-Wide Undercarriage
A. Maximum reach	29' 7" (9.02 m)	29' 7" (9.02 m)
B. Maximum reach @ ground level	28' 8" (8.75 m)	28' 8" (8.75 m)
C. Maximum depth	13' 6" (4.12 m)	13' 7" (4.14 m)
D. Maximum height	33' 3" (10.13 m)	33' 2" (10.11 m)
E. Maximum log level height	25' 3" (7.70 m)	25' 2" (7.69 m)



PROCESSOR SPECIFICATIONS

11' 5" (3.49 m) Arm with 19' 2" (5.85 m) Boom in High-Lift Position - High Narrow Undercarriage

		5' 0" (1.5 m)		10' 0" (3.0 m)		15' 0" (4.5 m)		20' 0" (6.0 m)		25' 0" (7.5 m)		Cap at Max. Reach		
		End	Side	End	Side	End	Side	End	Side	End	Side	End	Side	
+30' 0"	lbs												8,650*	8,650*
(9.0 m)	kg												3,870*	3,870*
+25' 0"	lbs							12,800*	12,800*				7,650*	7,650*
(7.5 m)	kg							5,890*	5,890*				3,460*	3,460*
+20' 0"	lbs							14,100*	14,100*	11,800*	11,800*		7,300*	7,300*
(6.0 m)	kg							6,460*	6,460*	5,610*	5,610*		3,290*	3,290*
+15' 0"	lbs					18,400*	18,400*	16,850*	16,850*	14,500*	14,500*		7,200*	7,200*
(4.5 m)	kg					8,600*	8,600*	7,760*	7,760*	6,780*	6,780*		3,270*	3,270*
+10' 0"	lbs			33,000*	33,000*	24,250*	24,250*	18,650*	18,650*	15,600*	15,600*		7,400*	7,400*
(3.0 m)	kg			12,700*	12,700*	11,230*	11,230*	8,600*	8,600*	7,170*	7,170*		3,350*	3,350*
+5' 0"	lbs			13,700*	13,700*	27,200*	27,200*	20,150*	20,150*	16,200*	16,200*		7,800*	7,800*
(1.5 m)	kg			5,830*	5,830*	12,580*	12,580*	9,290*	9,290*	7,470*	7,470*		3,550*	3,550*
Ground	lbs			17,950*	17,950*	27,900*	27,900*	20,650*	20,650*	16,250*	16,200*		8,600*	8,600*
Line	kg			7,880*	7,880*	12,870*	12,870*	9,530*	9,530*	7,510*	7,510*		3,900*	3,900*
-5' 0"	lbs	16,650*	16,650*	26,700*	26,700*	26,300*	26,300*	19,800*	19,800*	15,150*	15,150*		9,950*	9,950*
(1.5 m)	kg	7,460*	7,460*	11,790*	11,790*	12,130*	12,130*	9,140*	9,140*	7,040*	7,040*		4,490*	4,490*
-10' 0"	lbs			29,600*	29,600*	22,400*	22,400*	16,900*	16,900*				11,900*	11,900*
(3.0 m)	kg			13,680*	13,680*	10,360*	10,360*	7,870*	7,870*				5,420*	5,420*
-15' 0"	lbs					15,050*	15,050*						10,700*	10,700*
(4.5 m)	kg					7,130*	7,130*						4,680*	4,680*

11' 5" (3.49 m) Arm with 19' 2" (5.85 m) Boom in High-Lift Position - High Wide Undercarriage

		5' 0" (1.5 m)		10' 0" (3.0 m)		15' 0" (4.5 m)		20' 0" (6.0 m)		25' 0" (7.5 m)		Cap at Max. Reach		
		End	Side	End	Side	End	Side	End	Side	End	Side	End	Side	
+30' 0"	lbs												8,650*	8,650*
(9.0 m)	kg												3,870*	3,870*
+25' 0"	lbs							12,800*	12,800*				7,650*	7,650*
(7.5 m)	kg							5,890*	5,890*				3,460*	3,460*
+20' 0"	lbs							14,100*	14,100*	11,800*	11,800*		7,300*	7,300*
(6.0 m)	kg							6,460*	6,460*	5,610*	5,610*		3,290*	3,290*
+15' 0"	lbs					18,400*	18,400*	16,850*	16,850*	14,500*	14,500*		7,200*	7,200*
(4.5 m)	kg					8,600*	8,600*	7,760*	7,760*	6,780*	6,780*		3,270*	3,270*
+10' 0"	lbs			33,000*	33,000*	24,250*	24,250*	18,650*	18,650*	15,600*	15,600*		7,400*	7,400*
(3.0 m)	kg			12,700*	12,700*	11,230*	11,230*	8,600*	8,600*	7,170*	7,170*		3,350*	3,350*
+5' 0"	lbs			13,700*	13,700*	27,200*	27,200*	20,150*	20,150*	16,200*	16,200*		7,800*	7,800*
(1.5 m)	kg			5,830*	5,830*	12,580*	12,580*	9,290*	9,290*	7,470*	7,470*		3,550*	3,550*
Ground	lbs			17,950*	17,950*	27,900*	27,900*	20,650*	20,650*	16,250*	16,250*		8,600*	8,600*
Line	kg			7,880*	7,880*	12,870*	12,870*	9,530*	9,530*	7,510*	7,510*		3,900*	3,900*
-5' 0"	lbs	16,650*	16,650*	26,700*	26,700*	26,300*	26,300*	19,800*	19,800*	15,150*	15,150*		9,950*	9,950*
(1.5 m)	kg	7,460*	7,460*	11,790*	11,790*	12,130*	12,130*	9,140*	9,140*	7,040*	7,040*		4,490*	4,490*
-10' 0"	lbs			29,600*	29,600*	22,400*	22,400*	16,900*	16,900*				11,900*	11,900*
(3.0 m)	kg			13,680*	13,680*	10,360*	10,360*	7,870*	7,870*				5,420*	5,420*
-15' 0"	lbs					15,050*	15,050*						10,700*	10,700*
(4.5 m)	kg					7,130*	7,130*						4,680*	4,680*

Notes: Lifting capacities

- Lifting capacities shown should not be exceeded. Weight of all lifting accessories must be deducted from the above lifting capacities. Lifting capacities for Log Loader attachment include a heel rack, but not grapple. Addition of grapple weight must be deducted from lift capacities.
- Lifting capacities are based on machine standing on firm, uniform supporting surface. User must make allowances for job conditions such as soft or uneven ground.
- Lifting capacities shown do not exceed 75% of minimum tipping loads or 87% of hydraulic capacities. Capacities marked with an asterisk (*) are limited by hydraulic capacities.
- Least stable position is over the side.
- Operator should be fully acquainted with the Operator's Manual & Operating Safety Booklet, furnished by LBX before operating the machine.
- Capacities apply only to the machine as originally manufactured and normally equipped by LBX Company LLC.



FORESTRY STANDARD & OPTIONAL EQUIPMENT

STANDARD EQUIPMENT

CAB

- LED exterior lights
- Key fob with remote machine light-up functionality; (2) riser step, (3) cab
- SCM air-suspension heated seat, sliding/reclining, adjustable armrests, lumbar support, retractable seat belt, +/- 5 degree tilt
- 4-position tilting consoles with memory position and hydraulic lock-out
- Auto climate control a/c & heat, defrost
- Sirius® Satellite ready sound system w/ AM/FM, MP3 port, USB port, dual speakers & mute button
- Job ticket slot, cup holder, 12-volt accessory outlet, digital clock, 24-volt cigarette lighter, ashtray, dome light, coat hook, high output dual horn, floor mat
- 2-position LED swivel map lights w/ red ambient illumination for safety & night vision compatibility
- High definition LCD monitor w/ full color 7" display
- Anti-theft device
- Single motor dual arm intermittent/continuous windshield wiper w/ washer
- Single pedal travel
- Travel alarm w/ cancellation switch
- CB radio & antenna mounting provision
- Vandal locks with common key
- On-board diagnostic system
- Rear view camera (full time display)
- RemoteCARE – telematics
- 2-position sun shade

ENGINE

- EPA Tier IV Isuzu diesel engine, no DPF system to maintain
- Three selectable work modes
- 85 amp alternator
- Common rail fuel injection
- Turbocharger with intercooler
- Neutral safety start
- Idle start
- Glow plug pre-heat
- Auto engine warm-up
- Auto idling system
- One-touch idle
- Dual remote fuel filters with water separation
- Double element air filter with in-cab restriction indicator (SE only)
- Remote, full-flow engine oil filter
- Green plug engine oil drain
- EPF Engine Protection
- Emergency engine stop
- Engine oil & hydraulic oil sample ports
- Battery disconnect switch

HYDRAULICS

- Open-center hydraulic system
- Auto swing priority
- Auxiliary hydraulics for open/close/rotate
- Pre-set auxiliary pump settings
- Control levers pre-wired for auxiliary
- Two-speed with auto shift & straight travel
- Attachment cushion valve
- Boom regeneration
- Boom and arm holding valves
- Centralized lube banks

UNDERCARRIAGE

- Sealed and lubricated track chain
- Forestry-style upper roller brackets w/ scrapers
- Planetary drive
- Spring-applied, hydraulic release brake
- 27.5" (700 mm) 2-bar grouser
- Full-length track guards (2 piece, bolt-on)
- HD purpose-built swivel guard belly pan
- HD purpose-built upper belly pans
- HD purpose-built reinforced frame (upper & lower)
- HD purpose-built travel motor covers

UPPERSTRUCTURE

- Rear mounted fuel tank
- HD purpose-built pump & radiator doors
- HD purpose-built tank skin
- HD purpose-built full length catwalks w/ non-skid edge treatment- welded
- HD purpose-built turntable bearing & swing motor
- RH corner guard w/ (2) lights & (2) horns
- Non-skid surface pads
- 14,200 lbs (6 450 kg) Forestry counterweight
- ISO compliant guard and hand rails along upper structure
- Large RH storage box

ATTACHMENT

- HD boom cylinder guard
- Arm cylinder guards (TL)

OPTIONAL EQUIPMENT

CAB

- Oregon OSHA/ROPS/WCB compliant side-entry forestry cab with sky roof and escape hatch
- Rear-Entry certified forestry cab with 48" hydraulic tilting riser
- 1-1/4" front window polycarbonate - *LBX requires 1-1/4" front window polycarbonate for all machines with a processing head installed.*

HYDRAULICS

- Hydraulic reversible fan

UNDERCARRIAGE

- 27.5" (700 mm) single-bar grouser
- 27.5" (700 mm) 3-bar grouser

UPPERSTRUCTURE

- "Hockey Stick" guard for RH front corner guard

ATTACHMENT

- Log loader attachment equipped with live-heel (TL)



TELEMATICS WITH NO SUBSCRIPTION FEE

RemoteCARE® lets you remotely monitor and track machine location, operational performance, working status and periodic maintenance requirements - now at no cost to you. It tracks and records both routine and major service intervals for your machines, giving you more flexibility and control when scheduling maintenance procedures. It also lets you be more proactive if potential failure conditions arise; whenever a diagnostic trouble code (DTC) is detected, a warning message appears on the machine display, and an e-mail alert is automatically sent to you. RemoteCARE also assists in theft prevention by offering 24/7 surveillance and geofencing capabilities.

FREE Subscription Includes:

- ✓ 24/7 Remote Monitoring and Security
- ✓ Machine Location
- ✓ Geo-fence & Curfew Range
- ✓ Actual Fuel Consumption
- ✓ Fuel Levels
- ✓ Hour Meter Reading
- ✓ Radiator Water Temperature
- ✓ Machine Working Time/Idle Time
- ✓ Attachment Working Hours
- ✓ Working Modes
- ✓ Service Maintenance Reminders
- ✓ Service Warnings

REMOTECARE® APP

Manage your Link-Belt equipment with this user friendly telematics management tool with GPS technology. The RemoteCARE App provides timely and reliable machine utilization.

App features include...

- Machine location
- Fuel efficiency
- DTC notification history
- Fuel consumption
- Analytical snapshots
- Favorite list
- Utilization report
- Idle rate

Download Apple or Android app at lbxco.com/apps for phone & tablet.

3740 FORESTRY EQUIPMENT

Timber Loaders • Road Builders • Processors



Timber Loaders

We've earned our reputation for building strong and dependable log loaders for use in the woods or millyards. Our loaders can be equipped with Fixed or Live-Heel booms to handle large diameter logs and tree-length loads. Or choose from a variety of Butt-N-Top grapple options to match your needs perfectly.



Road Builders

For tasks such as pioneering, construction and maintenance of access roads and right-of-way logging, we've got the right machines for the job. Our road builders are built to move boulders, dig trenches or clear debris with ease.



Processors

Link-Belt Forestry swing machines are designed to be configured as high-capacity timber processors with your choice of harvesting heads. Choose high-wide or high-narrow undercarriage, single-bar or three-bar grouser shoes to match your application perfectly.

ROCK-SOLID WARRANTY COVERAGE

All 40 Series machines are backed by a 3-year/3,000 hour Full Machine Warranty*, 2-year/3,000 hour Engine Warranty (2,000 hrs engine electrical parts), 3-year/5,000 hour Powertrain Warranty, 3-year/10,000 hour XtraStructure Warranty [exclusions apply: scrap, demolition, material handling, severe or extreme duty applications, non-Link-Belt attachments], 5-year/3,000 hour EPA Emissions Warranty and participation in the LBX Fluids Analysis Program for the duration of the Powertrain warranty. Extended warranty coverage packages are also available. FREE RemoteCARE® telematics.

**Applies to 2018 or newer serialized models only*



OUR DEALERS KNOW THEIR WAY AROUND THE WOODS

A network of Link-Belt Forestry and Excavator dealers across the U.S. and Canada is waiting to serve you. Expect fast and dependable service, backed by 24/7 access to parts.



LBX Company is the proud maker of quality Link-Belt excavators and is located in Lexington, KY.

#LBX2328 Litho in USA 2/17 LBX® and Link-Belt® are registered trademarks. Copyright 2017. All rights reserved. We are constantly improving our products and therefore reserve the right to change designs and specifications.

Link-Belt
FORESTRY
linkbeltforestry.com