

ZAXIS-6 series

HITACHI

Reliable solutions

# SUPER LONG FRONT



## ZAXIS 250LC/300LC/350LC

Model code : ZX250LC-6, ZX250LCN-6 / ZX300LC-6, ZX300LCN-6 / ZX350LC-6, ZX350LCN-6

Engine rated power : 132 kW (177 hp) / 186 kW (250 hp) / 202 kW (271 hp)

Operating weight : 28 400 - 29 300 kg / 32 700 - 33 700 kg / 37 600 - 38 700 kg

# DEMAND PERFECTION

The Zaxis-6 super long front (SLF) has been specifically designed to meet the demands of European customers. The front attachment has been strengthened without compromising on a smooth, stable operation. By incorporating unique Hitachi technology, parts availability has also been optimised. These features combine to create a highly reliable Zaxis-6 SLF range that can be utilised on a wide range of job sites.



## High quality

Incorporating superior elements and materials.



## Excellent availability

Some key components are shared with the standard Zaxis-6 model.



## Lifetime reliability

Reliable components help to prevent oil leaks.



## Good Operability

Special controller settings for optimal combined operation of boom and arm.





### Ultimate durability

A larger box-type cross-section and thicker steel plates enhance durability.



### User-friendly

Handrails and a reinforced platform enhance safety.



### Cleaner emissions

SCR system reduces NOx from exhaust gas.



### Strong stability

The standard counterweight is now heavier. An additional, top-mounted unit is smaller and easier to handle, increasing safety.



### Easy maintenance

Convenient and wide-opening engine cover.



### Excellent efficiency

TRIAS II system reduces total hydraulic loss.



### Engine protection

High-performance and large-capacity fuel circuit.







“ *This is the perfect machine, as it has an excellent hydraulic system, and is so smooth and easy to operate* ”

Alan Sparkes, co-owner, Kelston Sparkes

## UNDENIABLE DURABILITY

Like all Hitachi medium excavators, the Zaxis-6 SLF range has been engineered to operate on the most demanding job sites. The thickness of the steel plates in the boom and arm has been increased significantly, adding to the machine's durability and longer service life. In addition, this added weight on the front attachment has been compensated by a heavier counterweight, which overall results in a higher level of stability.

### Smooth operation

Special control settings have been configured in such a way that guarantees the combined operation of the boom and arm is as smooth as possible. This makes the Zaxis-6 SLF the ideal machine for such precise tasks as slope finishing projects.

### Parts availability

By incorporating proven Hitachi technology developed specifically for the Zaxis-6 medium excavator range, exceptional reliability and availability is assured. For example, the Zaxis-6 SLF features the same high-quality parts as standard Hitachi

models, which means that the availability of such parts as pins, links and cylinders, is maximised.

### Easier transportation

The front attachment has been designed in such a way that it can be easily accommodated for logistics. With minimal height and required space, it can be efficiently loaded for onward transportation from one site to another.







The smaller additional counterweight makes it easy to handle and improves safety.



The strength of the front attachment makes it ideal for dredging projects.



The design of the front attachment allows for easier transportation.

# SPECIFICATIONS

## ZX250LC / ZX250LCN TYPE HE15LD & HE18LD SUPER LONG FRONT

### ENGINE

Model .....	Isuzu AQ-4HK1X
Type .....	4-cycle water-cooled, common rail direct injection
Aspiration .....	Variable geometry turbocharged, intercooled, cooled EGR
After treatment .....	DOC and SCR system
No. of cylinders .....	4
Rated power	
ISO 14396 .....	140 kW at 2 000 min <sup>-1</sup>
ISO 9249, net .....	132 kW at 2 000 min <sup>-1</sup>
SAE J1349, net .....	132 kW at 2 000 min <sup>-1</sup>
Maximum torque .....	676 Nm at 1 800 min <sup>-1</sup>
Piston displacement ....	5.193 L
Bore and stroke .....	115 mm x 125 mm
Batteries .....	2 x 12 V / 126 Ah

### HYDRAULIC SYSTEM

#### Hydraulic Pumps

Main pumps .....	3 variable displacement axial piston pumps
Maximum oil flow .....	2 x 224 L/min 1 x 200 L/min
Pilot pump .....	1 gear pump
Maximum oil flow .....	35.5 L/min

#### Hydraulic Motors

Travel .....	2 variable displacement axial piston motors
Swing .....	1 axial piston motor

#### Relief Valve Settings

Implement circuit .....	34.3 MPa (350 kgf/cm <sup>2</sup> )
Swing circuit .....	25.5 MPa (260 kgf/cm <sup>2</sup> )
Travel circuit .....	34.3 MPa (350 kgf/cm <sup>2</sup> )
Pilot circuit .....	3.9 MPa (40 kgf/cm <sup>2</sup> )
Power boost .....	38.0 MPa (388 kgf/cm <sup>2</sup> )

#### Hydraulic Cylinders

### ZX250LC / ZX250LCN TYPE HE15LD & HE18LD SUPER LONG FRONT

	Quantity	Bore	Rod diameter
Boom	2	125 mm	90 mm
Arm	1	150 mm	105 mm
Bucket	1	105 mm	75 mm

### UPPERSTRUCTURE

#### Revolving Frame

D-section frame for resistance to deformation.

#### Swing Device

Axial piston motor with planetary reduction gear is bathed in oil. Swing circle is single-row. Swing parking brake is spring-set/hydraulic-released disc type.

Swing speed .....	7.2 min <sup>-1</sup> (rpm)
Swing torque .....	61.0 kNm (6 220 kgfm)

#### Operator's Cab

Independent spacious cab, 1 005 mm wide by 1 675 mm high, conforming to ISO\* Standards.

\* International Organization for Standardization

### UNDERCARRIAGE

#### Tracks

Heat-treated connecting pins with dirt seals. Hydraulic (grease) track adjusters with shock-absorbing recoil springs.

#### Numbers of Rollers and Shoes on Each Side

Upper rollers .....	2
Lower rollers .....	9
Track shoes .....	51
Track guard .....	1

#### Travel Device

Each track driven by 2-speed axial piston motor. Parking brake is spring-set/hydraulic-released disc type.

Automatic transmission system: High-Low.

Travel speeds .....	High : 0 to 5.5 km/h Low : 0 to 3.4 km/h
---------------------	---

Maximum traction force .....	222 kN (22 600 kgf)
------------------------------	---------------------

Gradeability .....

58% (30 degree) continuous

### SOUND LEVEL

Sound level in cab according to ISO 6396 .....	LpA 67 dB(A)
External sound level according to ISO 6395 and EU Directive 2000/14/EC .....	LwA 102 dB(A)

### SERVICE REFILL CAPACITIES

Fuel tank .....	510.0 L
Engine coolant .....	31.0 L
Engine oil .....	27.0 L
Swing device .....	9.1 L
Travel device (each side) .....	7.8 L
Hydraulic system .....	280.0 L
Hydraulic oil tank .....	156.0 L
DEF/AdBlue® .....	70.0 L

## WEIGHTS AND GROUND PRESSURE

### ZX250LC TYPE HE15LD SUPER LONG FRONT:

Equipped with 8.50 m monoblock boom, 5.93 m arm and 0.66 m<sup>3</sup> bucket (SAE, PCSA heaped), 7 750 kg counterweight.

Shoe type	Shoe width	Operating weight	Ground pressure
Triple grouser	600 mm	28 500 kg	57 kPa (0.58 kgf/cm <sup>2</sup> )
	700 mm	28 900 kg	49 kPa (0.50 kgf/cm <sup>2</sup> )
	800 mm	29 200 kg	43 kPa (0.44 kgf/cm <sup>2</sup> )

### ZX250LCN TYPE HE15LD SUPER LONG FRONT:

Equipped with 8.50 m monoblock boom, 5.93 m arm and 0.66 m<sup>3</sup> bucket (SAE, PCSA heaped), 7 750 kg counterweight.

Shoe type	Shoe width	Operating weight	Ground pressure
Triple grouser	600 mm	28 400 kg	57 kPa (0.58 kgf/cm <sup>2</sup> )
	700 mm	28 800 kg	49 kPa (0.50 kgf/cm <sup>2</sup> )
	800 mm	29 100 kg	43 kPa (0.44 kgf/cm <sup>2</sup> )

### ZX250LC TYPE HE18LD SUPER LONG FRONT:

Equipped with 10.23 m monoblock boom, 7.28 m arm and 0.4 m<sup>3</sup> bucket (SAE, PCSA heaped), 7 750 kg counterweight.

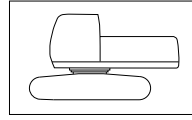
Shoe type	Shoe width	Operating weight	Ground pressure
Triple grouser	600 mm	28 600 kg	57 kPa (0.58 kgf/cm <sup>2</sup> )
	700 mm	29 000 kg	50 kPa (0.51 kgf/cm <sup>2</sup> )
	800 mm	29 300 kg	44 kPa (0.45 kgf/cm <sup>2</sup> )

### ZX250LCN TYPE HE18LD SUPER LONG FRONT:

Equipped with 10.23 m monoblock boom, 7.28 m arm and 0.4 m<sup>3</sup> bucket (SAE, PCSA heaped), 7 750 kg counterweight.

Shoe type	Shoe width	Operating weight	Ground pressure
Triple grouser	600 mm	28 600 kg	57 kPa (0.58 kgf/cm <sup>2</sup> )
	700 mm	28 900 kg	49 kPa (0.50 kgf/cm <sup>2</sup> )
	800 mm	29 200 kg	43 kPa (0.44 kgf/cm <sup>2</sup> )

## Basic Machine Weight and Overall width



Excluding front end attachment, additional counterweight, fuel, hydraulic oil and coolant etc.  
Including counterweight.

### ZX250LC

Shoe width	Weight	Overall width
600 mm	23 200 kg	3 190 mm
700 mm	23 600 kg	3 290 mm
800 mm	23 900 kg	3 390 mm

### ZX250LCN

Shoe width	Weight	Overall width
600 mm	23 200 kg	2 990 mm
700 mm	23 500 kg	3 090 mm
800 mm	23 800 kg	3 190 mm

## BUCKET SPECIFICATIONS AND COMPATIBILITY

### ZX250LC / ZX250LCN

	Capacity ISO heaped	Width Without side cutters	Weight	Recommendation			
				ZX250LC		ZX250LCN	
				HE15LD	HE18LD	HE15LD	HE18LD
Bucket radius 1230 mm	0.40 m <sup>3</sup>	720 mm	340 kg	◎	○	◎	□
	0.45 m <sup>3</sup>	800 mm	370 kg	◎	□	◎	□
	0.50 m <sup>3</sup>	890 mm	390 kg	◎	□	◎	-
	0.59 m <sup>3</sup>	950 mm	410 kg	◎	-	◎	-
	0.66 m <sup>3</sup>	1 030 mm	430 kg	◎	-	○	-
Slope finishing	-	1 600 mm	430 kg	◇	◇	◇	◇
Max. weight				1 690 kg	1 050 kg	1 560 kg	940 kg

- ◎ Suitable for materials with density of 1 800 kg/m<sup>3</sup> or less
- Suitable for materials with density of 1 600 kg/m<sup>3</sup> or less
- Suitable for materials with density of 1 100 kg/m<sup>3</sup> or less
- ◇ Slope-finishing service
- Not applicable

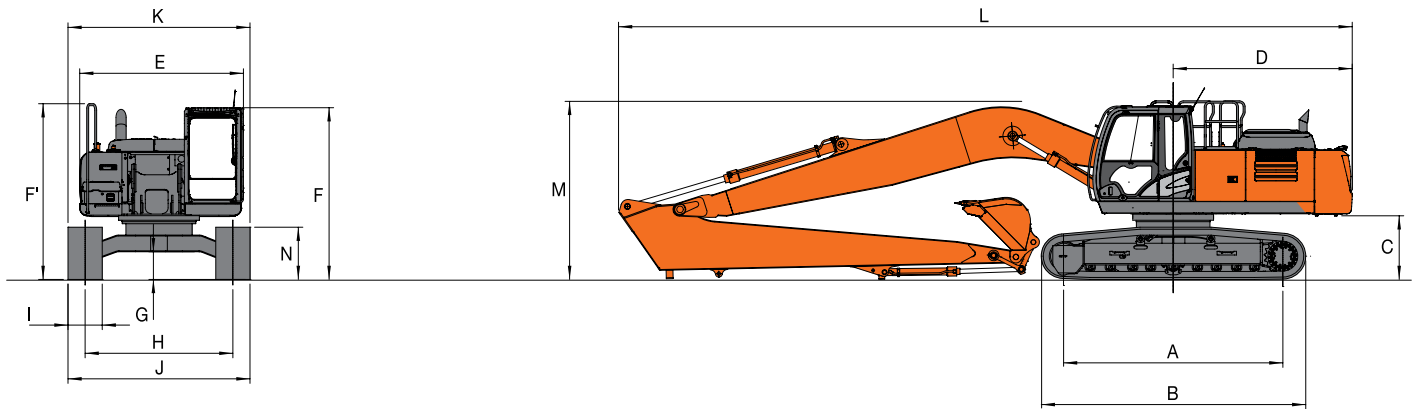
• Use the bucket in the range where the total weight of bucket and loading material does not exceed maximum weight described above.



# SPECIFICATIONS

## ZX250LC / ZX250LCN TYPE HE15LD SUPER LONG FRONT

### DIMENSIONS

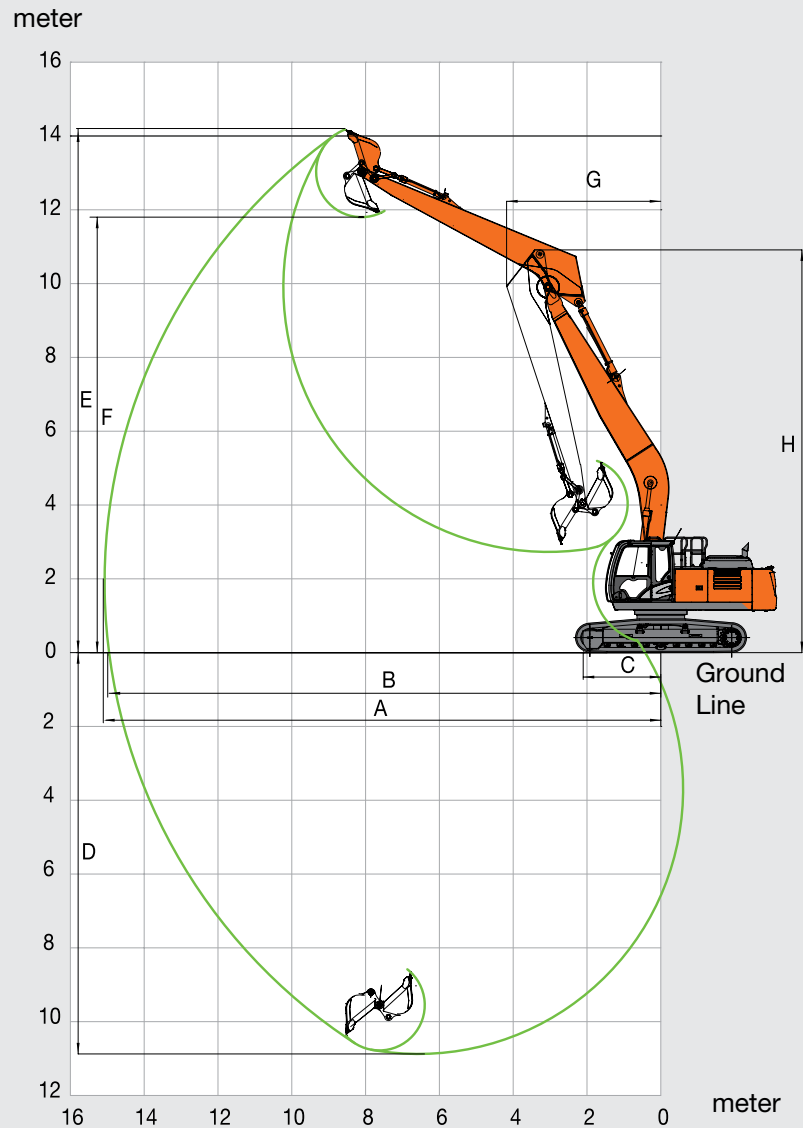


Unit: mm

	ZX250LC TYPE HE15LD	ZX250LCN TYPE HE15LD
A Distance between tumbler	3 850	3 850
B Undercarriage length	4 640	4 640
*C Counterweight clearance	1 080	1 080
D Rear-end swing radius	3 140	3 140
E Overall width of upperstructure	2 870	2 870
F Overall height of cab	3 010	3 010
F' Overall height of handrail	3 080	3 080
*G Min. ground clearance	460	460
H Track gauge	2 590	2 390
I Track shoe width	600 / 700 / 800	600 / 700 / 800
J Undercarriage width	3 190 / 3 290 / 3 390	2 990 / 3 090 / 3 190
K Overall width	3 190 / 3 290 / 3 390	2 990 / 3 090 / 3 190
L Overall length	12 870	12 870
M Overall height of boom	3 140	3 140
N Track height with triple grouser shoes	920	920

•\* : Excluding track shoe lug

## WORKING RANGES



Unit: mm

	ZX250LC / ZX250LCN TYPE HE15LD
A Max. digging reach	15 070
B Max. digging reach (on ground)	14 950
C Max. level crowding distance	2 110
D Max. digging depth	10 870
E Max. cutting height	14 180
F Max. dumping height	11 800
G Min. swing radius	4 180
H Min. Swing radius height	10 920
Bucket digging force ISO	78 kN (7 960 kgf)
Arm crowd force ISO	69 kN (7 040 kgf)

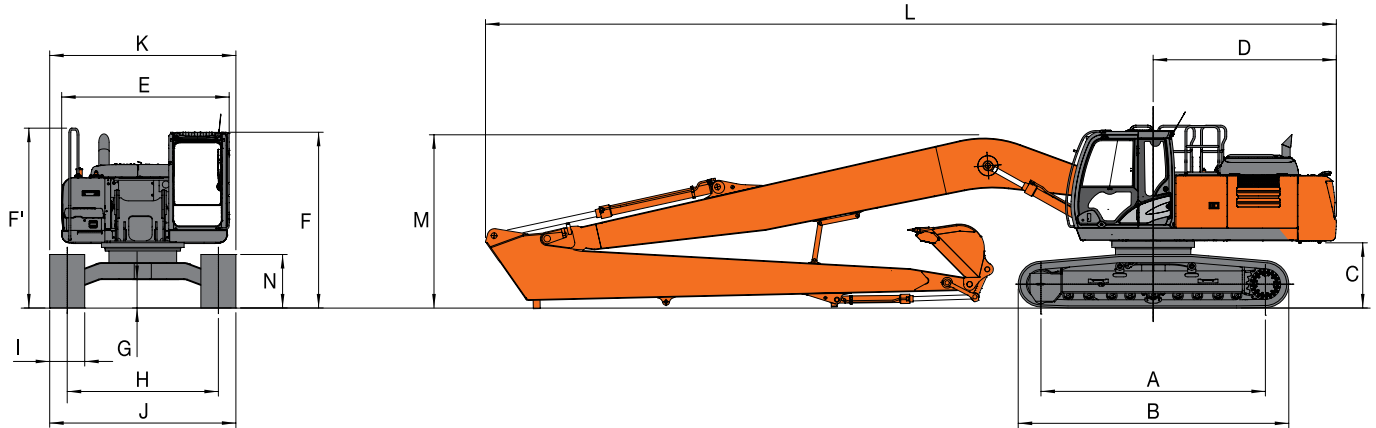
• Excluding track shoe lug

Note: Working range can be changed, depending on bucket size.

# SPECIFICATIONS

## ZX250LC / ZX250LCN TYPE HE18LD SUPER LONG FRONT

### DIMENSIONS



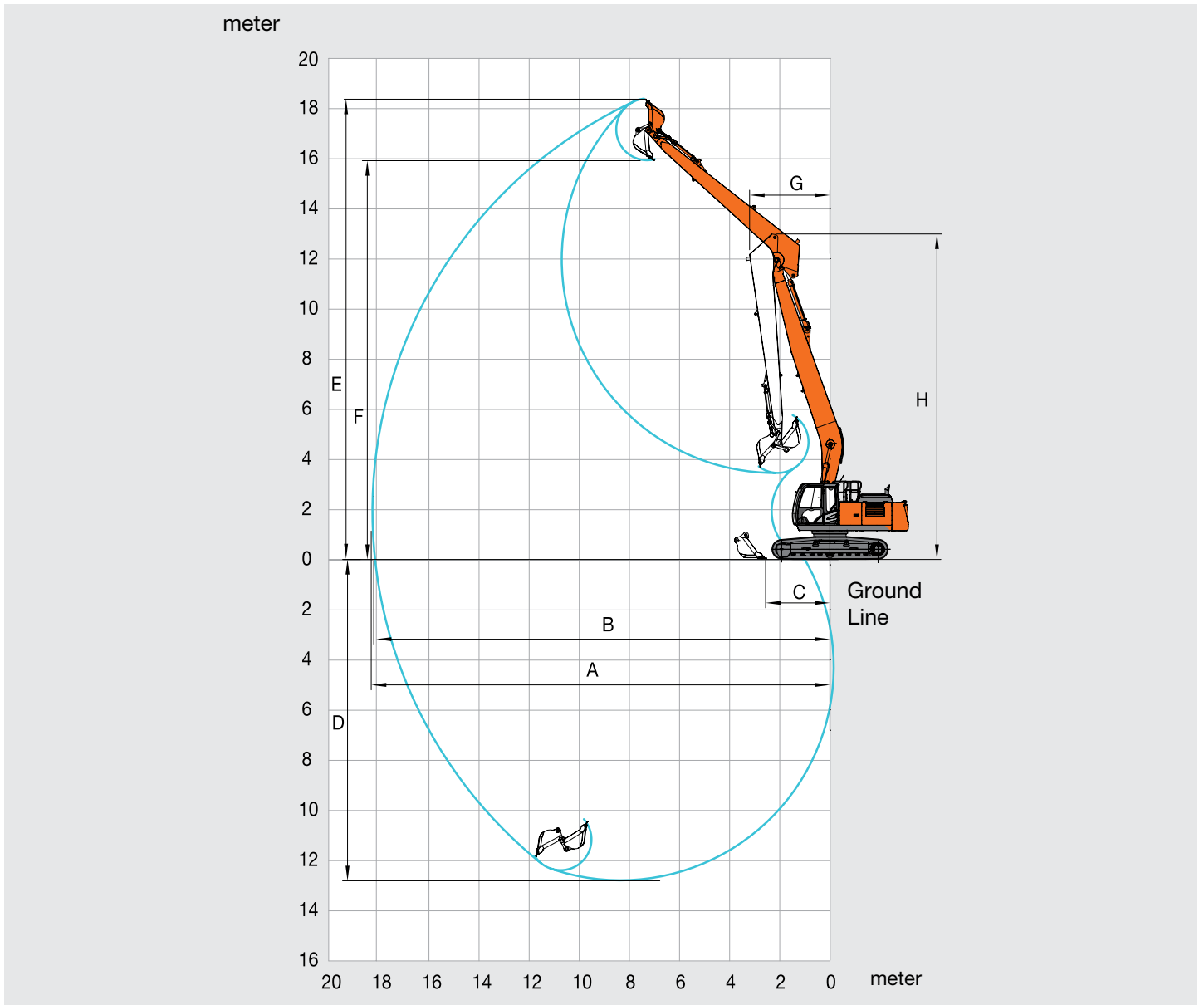
Unit: mm

	ZX250LC TYPE HE18LD	ZX250LCN TYPE HE18LD
A Distance between tumbler	3 850	3 850
B Undercarriage length	4 640	4 640
*C Counterweight clearance	1 080	1 080
D Rear-end swing radius	3 140	3 140
E Overall width of upperstructure	2 870	2 870
F Overall height of cab	3 010	3 010
F' Overall height of handrail	3 080	3 080
*G Min. ground clearance	460	460
H Track gauge	2 590	2 390
I Track shoe width	600 / 700 / 800	600 / 700 / 800
J Undercarriage width	3 190 / 3 290 / 3 390	2 990 / 3 090 / 3 190
K Overall width	3 190 / 3 290 / 3 390	2 990 / 3 090 / 3 190
L Overall length	14 580	14 580
M Overall height of boom	3 030	3 030
N Track height with triple grouser shoes	920	920

•\*: Excluding track shoe lug



## WORKING RANGES



Unit: mm

	ZX250LC / ZX250LCN TYPE HE18LD
A Max. digging reach	18 200
B Max. digging reach (on ground)	18 100
C Max. level crowding distance	2 560
D Max. digging depth	12 760
E Max. cutting height	18 360
F Max. dumping height	15 910
G Min. swing radius	3 210
H Min. Swing radius height	12 990
Bucket digging force ISO	74 kN (7 550 kgf)
Arm crowd force ISO	49 kN (5 000 kgf)

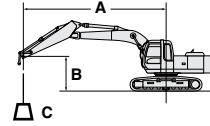
• Excluding track shoe lug

Note: Working range can be changed, depending on bucket size.

# LIFTING CAPACITIES

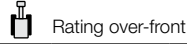
## Metric measure

- Notes:
1. Ratings are based on ISO 10567.
  2. Lifting capacity of the ZAXIS series does not exceed 75% of tipping load with the machine on firm, level ground or 87% full hydraulic capacity.
  3. The load point is the center-line of the bucket pivot mounting pin on the arm.
  4. \* Indicates load limited by hydraulic capacity.
  5. 0m = Ground.
- For lifting capacities, subtract bucket and quick hitch weight from lifting capacities.



A: Load radius  
B: Load point height  
C: Lifting capacity

### ZX250LC TYPE HE15LD SUPER LONG FRONT



Rating over-front



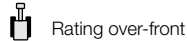
Rating over-side or 360 degrees

Unit: kg

Conditions	Load point height m	Load radius m											
		3.0		4.5		6.0		7.5		9.0			
Boom 8.50 m Arm 5.93 m Counterweight 7 750 kg 600 mm grouser shoe	12.0											2 230*	2 230*
	10.5											2 110*	2 110*
	9.0											2 120*	2 120*
	7.5											2 230*	2 230*
	6.0											2 410*	2 410*
	4.5											2 660*	2 660*
	3.0	4 290*	4 290*	6 180*	6 180*	3 680*	3 680*	3 060*	3 060*	2 940*	2 940*	3 220*	3 220*
	1.5			7 440*	7 440*	5 140*	5 140*	3 940*	3 940*	3 220*	3 220*	3 460*	3 460*
	0 (Ground)	2 320*	2 320*	5 900*	5 900*	5 660*	5 660*	4 290*	4 290*	3 460*	3 460*	3 630*	3 630*
	-1.5	3 430*	3 430*	6 140*	6 140*	5 940*	5 940*	4 520*	4 420*	3 630*	3 630*	3 700*	3 700*
	-3.0	4 700*	4 700*	7 150*	7 150*	5 980*	5 880*	4 610*	4 320*	3 700*	3 700*	3 650*	3 650*
	-4.5	6 120*	6 120*	7 760*	7 760*	5 810*	5 810*	4 530*	4 310*	3 650*	3 650*	3 420*	3 420*
	-6.0	7 780*	7 780*	7 070*	7 070*	5 400*	5 400*	4 260*	4 260*	3 420*	3 420*	2 920*	2 920*
-7.5	8 140*	8 140*	6 020*	6 020*	4 690*	4 690*	3 710*	3 710*	2 920*	2 920*			
-9.0			4 480*	4 480*	3 540*	3 540*	2 730*	2 730*					

Conditions	Load point height m	Load radius m						At max. reach		
		10.5		12.0		13.5				meter
Boom 8.50 m Arm 5.93 m Counterweight 7 750 kg 600 mm grouser shoe	12.0							1 980*	1 980*	9.4
	10.5	2 090*	2 090*					1 820*	1 820*	10.8
	9.0	2 050*	2 050*					1 760*	1 760*	11.9
	7.5	2 100*	2 100*	2 020*	2 020*			1 730*	1 730*	12.6
	6.0	2 220*	2 220*	2 080*	2 080*			1 740*	1 740*	13.2
	4.5	2 370*	2 370*	2 170*	2 170*	1 960*	1 960*	1 780*	1 780*	13.6
	3.0	2 550*	2 550*	2 290*	2 290*	2 090*	2 010*	1 870*	1 870*	13.8
	1.5	2 740*	2 740*	2 400*	2 400*	2 150*	1 970*	1 980*	1 880*	13.8
	0 (Ground)	2 900*	2 870*	2 500*	2 330*	2 190*	1 920*	2 150*	1 880*	13.7
	-1.5	3 020*	2 770*	2 570*	2 270*			2 210*	1 920*	13.4
	-3.0	3 050*	2 720*	2 560*	2 250*			2 270*	2 030*	12.9
	-4.5	2 980*	2 720*	2 420*	2 280*			2 330*	2 220*	12.2
	-6.0	2 730*	2 730*					2 370*	2 370*	11.3
-7.5							2 350*	2 350*	10.1	
-9.0							2 210*	2 210*	8.4	

### ZX250LCN TYPE HE15LD SUPER LONG FRONT



Rating over-front



Rating over-side or 360 degrees

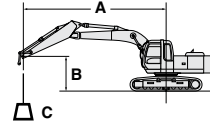
Unit: kg

Conditions	Load point height m	Load radius m											
		3.0		4.5		6.0		7.5		9.0			
Boom 8.50 m Arm 5.93 m Counterweight 7 750 kg 600 mm grouser shoe	12.0											2 230*	2 230*
	10.5											2 110*	2 110*
	9.0											2 120*	2 120*
	7.5											2 230*	2 230*
	6.0											2 410*	2 410*
	4.5											2 660*	2 660*
	3.0	4 290*	4 290*	6 180*	6 180*	4 430*	4 430*	3 500*	3 500*	2 940*	2 940*	3 220*	3 220*
	1.5			7 440*	7 440*	5 140*	5 140*	3 940*	3 940*	3 220*	3 220*	3 460*	3 460*
	0 (Ground)	2 320*	2 320*	5 900*	5 900*	5 660*	5 660*	4 290*	4 280*	3 460*	3 460*	3 630*	3 320*
	-1.5	3 430*	3 430*	6 140*	6 140*	5 940*	5 500*	4 530*	4 080*	3 630*	3 630*	3 180*	3 180*
	-3.0	4 700*	4 700*	7 150*	7 150*	5 980*	5 400*	4 610*	3 980*	3 700*	3 700*	3 100*	3 100*
	-4.5	6 120*	6 120*	7 760*	7 760*	5 810*	5 420*	4 530*	3 970*	3 650*	3 650*	3 090*	3 090*
	-6.0	7 780*	7 780*	7 070*	7 070*	5 400*	5 400*	4 260*	4 040*	3 420*	3 420*	3 140*	3 140*
-7.5	8 140*	8 140*	6 020*	6 020*	4 690*	4 690*	3 710*	3 710*	2 920*	2 920*			
-9.0			4 480*	4 480*	3 540*	3 540*	2 720*	2 720*					

Conditions	Load point height m	Load radius m						At max. reach		
		10.5		12.0		13.5				meter
Boom 8.50 m Arm 5.93 m Counterweight 7 750 kg 600 mm grouser shoe	12.0							1 980*	1 980*	9.4
	10.5	2 090*	2 090*					1 820*	1 820*	10.8
	9.0	2 050*	2 050*					1 760*	1 760*	11.9
	7.5	2 100*	2 100*	2 020*	2 020*			1 730*	1 730*	12.6
	6.0	2 220*	2 220*	2 080*	2 080*			1 740*	1 740*	13.2
	4.5	2 350*	2 350*	2 170*	2 170*	1 960*	1 900*	1 780*	1 780*	13.6
	3.0	2 550*	2 550*	2 290*	2 290*	2 090*	1 860*	1 870*	1 780*	13.8
	1.5	2 740*	2 740*	2 400*	2 230*	2 150*	1 810*	1 980*	1 730*	13.8
	0 (Ground)	2 900*	2 650*	2 500*	2 150*	2 190*	1 770*	2 150*	1 720*	13.7
	-1.5	3 020*	2 550*	2 570*	2 090*			2 210*	1 760*	13.4
	-3.0	3 050*	2 500*	2 560*	2 070*			2 270*	1 870*	12.9
	-4.5	2 980*	2 500*	2 420*	2 090*			2 330*	2 040*	12.2
	-6.0	2 730*	2 560*					2 370*	2 340*	11.3
-7.5							2 350*	2 350*	10.1	
-9.0							2 210*	2 210*	8.4	

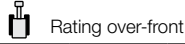
## Metric measure

- Notes:
1. Ratings are based on ISO 10567.
  2. Lifting capacity of the ZAXIS series does not exceed 75% of tipping load with the machine on firm, level ground or 87% full hydraulic capacity.
  3. The load point is the center-line of the bucket pivot mounting pin on the arm.
  4. \* Indicates load limited by hydraulic capacity.
  5. 0m = Ground.
- For lifting capacities, subtract bucket and quick hitch weight from lifting capacities.



- A: Load radius  
B: Load point height  
C: Lifting capacity

### ZX250LC TYPE HE18LD SUPER LONG FRONT



Rating over-front



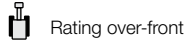
Rating over-side or 360 degrees

Unit: kg

Conditions	Load point height m	Load radius m											
		3.0		4.5		6.0		7.5		9.0		10.5	
Boom 10.23 m	15.0											1 580*	1 580*
Arm 7.28 m	13.5											1 650*	1 650*
Counterweight	12.0												
7 750 kg	10.5											1 620*	1 620*
600 mm grouser shoe	9.0											1 680*	1 680*
	7.5											1 770*	1 770*
	6.0											2 160*	2 160*
	4.5											2 370*	2 370*
	3.0			5 990*	5 990*	3 600*	3 600*	2 850*	2 850*	2 370*	2 370*	2 020*	2 020*
	1.5			2 640*	2 640*	4 660*	4 660*	3 510*	3 510*	2 800*	2 800*	2 320*	2 320*
0 (Ground)	640*	640*	2 200*	2 200*	5 000*	5 000*	3 750*	3 750*	2 970*	2 970*	2 440*	2 440*	
	-1.5	1 350*	1 350*	2 500*	2 500*	4 960*	4 960*	3 900*	3 900*	3 090*	3 090*	2 530*	2 480
	-3.0	2 060*	2 060*	3 070*	3 070*	5 120*	5 120*	3 940*	3 940*	3 140*	2 950*	2 580*	2 460
	-4.5	2 810*	2 810*	3 810*	3 810*	4 970*	4 970*	3 880*	3 730*	3 120*	2 890*	2 560*	2 330
	-6.0	3 620*	3 620*	4 630*	4 680*	4 680*	4 680*	3 710*	3 710*	3 010*	2 890*	2 470*	2 320
	-7.5	4 520*	4 520*	5 410*	5 410*	4 250*	4 250*	3 420*	3 420*	2 790*	2 790*	2 290*	2 290*
	-9.0	5 570*	5 570*	4 540*	4 540*	3 650*	3 650*	2 970*	2 970*	2 430*	2 430*	1 960*	1 960*
	-10.5			3 380*	3 380*	2 810*	2 810*	2 320*	2 320*	1 870*	1 870*	1 420*	1 420*

Conditions	Load point height m	Load radius m						At max. reach			
		12.0		13.5		15.0		16.5		meter	
Boom 10.23 m	15.0								1 450*	1 450*	10.6
Arm 7.28 m	13.5	1 570*	1 570*						1 300*	1 300*	12.3
Counterweight	12.0	1 510*	1 510*	1 280*	1 280*				1 220*	1 220*	13.6
7 750 kg	10.5	1 510*	1 510*	1 420*	1 420*				1 170*	1 170*	14.6
600 mm grouser shoe	9.0	1 540*	1 540*	1 430*	1 430*	1 350*	1 350*		1 130*	1 130*	15.4
	7.5	1 600*	1 600*	1 460*	1 460*	1 360*	1 360*		1 130*	1 130*	16.0
	6.0	1 680*	1 680*	1 510*	1 510*	1 390*	1 390*		1 150*	1 150*	16.4
	4.5	1 770*	1 770*	1 580*	1 580*	1 430*	1 430*	1 310*	1 310*	1 170*	1 170*
	3.0	1 880*	1 880*	1 650*	1 650*	1 470*	1 470*	1 330*	1 270*	1 200*	1 200*
	1.5	1 980*	1 980*	1 720*	1 720*	1 520*	1 510*	1 350*	1 240*	1 170*	1 170*
0 (Ground)	2 060*	2 060*	1 780*	1 760*	1 550*	1 450*	1 350*	1 200*	1 310*	1 160*	1 160*
	-1.5	2 130*	2 030	1 820*	1 680	1 570*	1 400	1 340*	1 180	1 320*	1 170
	-3.0	2 160*	1 960	1 830*	1 630	1 550*	1 380			1 330*	1 220
	-4.5	2 140*	1 920	1 790*	1 610	1 480*	1 380			1 330*	1 300
	-6.0	2 050*	1 920	1 690*	1 620					1 330*	1 300
	-7.5	1 870*	1 870*	1 470*	1 470*					1 300*	1 300*
	-9.0	1 530*	1 530*							1 230*	1 230*
	-10.5									1 080*	1 080*

### ZX250LCN TYPE HE18LD SUPER LONG FRONT



Rating over-front



Rating over-side or 360 degrees

Unit: kg

Conditions	Load point height m	Load radius m											
		3.0		4.5		6.0		7.5		9.0		10.5	
Boom 10.23 m	15.0											1 580*	1 580*
Arm 7.28 m	13.5											1 650*	1 650*
Counterweight	12.0												
7 750 kg	10.5											1 620*	1 620*
600 mm grouser shoe	9.0											1 680*	1 680*
	7.5											1 770*	1 770*
	6.0											1 890*	1 890*
	4.5											2 160*	2 160*
	3.0			5 990*	5 990*	3 600*	3 600*	2 850*	2 850*	2 370*	2 370*	2 020*	2 020*
	1.5			2 640*	2 640*	4 660*	4 660*	3 510*	3 510*	2 800*	2 800*	2 320*	2 320*
0 (Ground)	640*	640*	2 200*	2 200*	5 000*	5 000*	3 750*	3 750*	2 970*	2 970*	2 440*	2 410	
	-1.5	1 350*	1 350*	2 500*	2 500*	4 960*	4 790	3 900*	3 580	3 090*	2 810	2 530*	2 260
	-3.0	2 060*	2 060*	3 070*	3 070*	5 120*	4 660	3 940*	3 440	3 140*	2 690	2 580*	2 160
	-4.5	2 810*	2 810*	3 810*	3 810*	4 970*	4 650	3 880*	3 390	3 120*	2 630	2 560*	2 110
	-6.0	3 620*	3 620*	4 680*	4 680*	4 680*	4 680*	3 710*	3 410	3 010*	2 630	2 470*	2 110
	-7.5	4 520*	4 520*	5 410*	5 410*	4 250*	4 250*	3 420*	3 420*	2 790*	2 680	2 290*	2 150
	-9.0	5 570*	5 570*	4 540*	4 540*	3 650*	3 650*	2 970*	2 970*	2 430*	2 430*	1 960*	1 960*
	-10.5			3 380*	3 380*	2 810*	2 810*	2 320*	2 320*	1 870*	1 870*	1 420*	1 420*

Conditions	Load point height m	Load radius m						At max. reach			
		12.0		13.5		15.0		16.5		meter	
Boom 10.23 m	15.0								1 450*	1 450*	10.6
Arm 7.28 m	13.5	1 570*	1 570*						1 300*	1 300*	12.3
Counterweight	12.0	1 510*	1 510*	1 280*	1 280*				1 220*	1 220*	13.6
7 750 kg	10.5	1 510*	1 510*	1 420*	1 420*				1 170*	1 170*	14.6
600 mm grouser shoe	9.0	1 540*	1 540*	1 430*	1 430*	1 350*	1 350*		1 130*	1 130*	15.4
	7.5	1 600*	1 600*	1 460*	1 460*	1 360*	1 360*		1 130*	1 130*	16.0
	6.0	1 680*	1 680*	1 510*	1 510*	1 390*	1 390*		1 150*	1 150*	16.4
	4.5	1 770*	1 770*	1 580*	1 580*	1 430*	1 430*	1 310*	1 180	1 170*	1 140
	3.0	1 880*	1 880*	1 650*	1 650*	1 470*	1 440	1 330*	1 150	1 200*	1 080
	1.5	1 980*	1 980*	1 720*	1 690	1 520*	1 370	1 350*	1 110	1 270*	1 040
0 (Ground)	2 060*	1 950	1 780*	1 600	1 550*	1 310	1 310	1 350*	1 080	1 310*	1 040
	-1.5	2 130*	1 850	1 820*	1 520	1 570*	1 260	1 340*	1 060	1 320*	1 050
	-3.0	2 160*	1 780	1 830*	1 470	1 550*	1 240			1 330*	1 090
	-4.5	2 140*	1 740	1 790*	1 450	1 480*	1 240			1 330*	1 170
	-6.0	2 050*	1 740	1 690*	1 470					1 330*	1 280
	-7.5	1 870*	1 780	1 470*	1 470*					1 300*	1 300*
	-9.0	1 530*	1 530*							1 230*	1 230*
	-10.5									1 080*	1 080*



# EQUIPMENT

## ZX250LC / ZX250LCN TYPE HE15LD & HE18LD SUPER LONG FRONT

● ..... Standard equipment    ○ ..... Optional equipment

### ENGINE

Aftertreatment device	●
Air cleaner double filters	●
Alternator 50 A	●
Auto idle system	●
Auto shut-down control	●
Cartridge-type engine oil filter	●
Cartridge-type fuel main filter	●
Cold fuel resistance valve	●
DEF/AdBlue® tank inlet strainer and extension filter	●
DEF/AdBlue® tank with ISO magnet adapter	●
Dry-type air filter with evacuator valve (with air filter restriction indicator)	●
Dust-proof indoor net	●
ECO/PWR mode control	●
Electrical fuel feed pump	●
Engine oil drain coupler	●
Expansion tank	●
Fan guard	●
Fuel cooler	●
Fuel pre-filter with water separator	●
Isolation-mounted engine	●
Maintenance free pre cleaner	○
Radiator, oil cooler and intercooler	●

### HYDRAULIC SYSTEM

Auto power lift	●
Control valve with main relief valve	●
Full-flow filter	●
High mesh full flow filter with restriction indicator	○
Hose rupture valve for arm	●
Hose rupture valve for boom	●
Pilot filter	●
Power boost	●
Suction filter	●
Swing dampener valve	●
Two extra port for control valve	●
Work mode selector	●

### CAB

All-weather sound suppressed steel cab	●
AM-FM radio	●
Ashtray	●
Auto control air conditioner	●
AUX function lever (Assist)	○
AUX terminal and storage	●
Cigarette lighter 24 V	●
CRES V (center pillar reinforced structure) cab	●
Drink holder with hot & cool function	●
Electric double horn	●
Engine shut-off switch	●
Equipped with reinforced, tinted (green color) glass windows	●
Evacuation hammer	●
Fire extinguisher bracket	○
Floor mat	●
Footrest	●
Front window washer	●
Glove compartment	●
Hot & cool box	●
Intermittent windshield wipers	●
Key cylinder light	●
Laminated round glass window	○
LED room light with door courtesy	●
OPG front guard Level II (ISO10262) compliant cab	○
OPG top guard level I (ISO10262) compliant cab	●
OPG top guard level II (ISO10262) compliant cab	○
Pilot control shut-off lever	●
Power outlet 12 V	○
Rain guard	○
Rear tray	●
Retractable seat belt	●
ROPS (ISO12117-2) compliant cab	●
Rubber radio antenna	●
Seat: air suspension seat with heater	●
Seat adjustment part: backrest, armrest, height and angle, slide forward/back	●
Short wrist control levers	●
Sun visor (front window/side window)	○
Transparent roof with slide curtain	●
Windows on front, upper, lower and left can be opened	●
2 speaker	●
4 fluid-filled elastic mounts	●

### MONITOR SYSTEM

Alarms: overheat, engine warming, engine oil pressure, alternator, minimum fuel level, hydraulic filter restriction, air filter restriction, work mode, overload, SCR system trouble, etc.	●
Alarm buzzers: overheat, engine oil pressure, overload, SCR system trouble	●
Display of meters: water temperature, hour, fuel rate, clock, DEF/AdBlue® rate	●
Other displays: work mode, auto-idle, glow, rearview monitor, operating conditions, etc.	●
32 languages selection	●

### LIGHTS

Additional cab roof front lights	○
Additional cab roof rear lights	○
Additional boom light with cover	○
Rotating lamp	○
2 working lights	●

### UPPER STRUCTURE

Batteries 2 x 126 Ah	●
Battery disconnect switch	●
Body top handrail	●
Counterweight 7 750 kg	●
Electric fuel refilling pump with auto stop and filter	●
Fuel level float	●
Hydraulic oil level gauge	●
Lockable fuel refilling cap	●
Lockable machine covers	●
Lockable tool box	●
Platform handrail	●
Rear view camera	●
Rear view mirror (right & left side)	●
Skid-resistant plates and handrails	●
Swing parking brake	●
Undercover	●
Utility space	●

### UNDERCARRIAGE

Bolt-on sprocket	●
Reinforced track links with pin seals	●
Shoe 600 mm triple grouser	●
Shoe 700 mm triple grouser	○
Shoe 800 mm triple grouser	○
Track undercover	●
Travel direction mark on track frame	●
Travel motor covers	●
Travel parking brake	●
Upper and lower rollers	●
3 track guards (each side) and hydraulic track adjuster	●
4 tie down hooks	●

### FRONT ATTACHMENTS

Casted bucket link A	●
Centralized lubrication system	●
Dirt seal on all bucket pins	●
Flanged pin	●
HN bushing	●
Reinforced resin thrust plate	●
WC (tungsten-carbide) thermal spraying	●
Welded bucket link A	○

### ATTACHMENTS

Additional pump (30 L/min)	○
Assist piping	○
Attachment basic piping	●
Pilot accumulator	○

### MISCELLANEOUS

Global e-Service	●
Onboard information controller	●
Standard tool kit	●
Theft prevention system*	○

Standard and optional equipment may vary by country, so please consult your Hitachi dealer for details.

\* Hitachi Construction Machinery cannot be held liable for theft, any system will just minimize the risk of theft.



# SPECIFICATIONS

## ZX300LC / ZX300LCN TYPE HE15LD & HE18LD SUPER LONG FRONT

### ENGINE

Model .....	Isuzu AQ-6HK1X
Type .....	4-cycle water-cooled, common rail direct injection
Aspiration .....	Variable geometry turbocharged, intercooled, cooled EGR
Aftertreatment .....	DOC and SCR system
No. of cylinders .....	6
Rated power	
ISO 14396 .....	197 kW at 1 900 min <sup>-1</sup>
ISO 9249, net .....	186 kW at 1 900 min <sup>-1</sup>
SAE J1349, net .....	186 kW at 1 900 min <sup>-1</sup>
Maximum torque .....	1 050 Nm at 1 500 min <sup>-1</sup>
Piston displacement ...	7.790 L
Bore and stroke .....	115 mm x 125 mm
Batteries .....	2 x 12 V / 135 Ah

### HYDRAULIC SYSTEM

#### Hydraulic pumps

Main pumps .....	3 variable displacement axial piston pumps
Maximum oil flow ...	2 x 235 L/min
	1 x 211 L/min
Pilot pump .....	1 gear pump
Maximum oil flow ...	36.4 L/min

#### Hydraulic Motors

Travel .....	2 variable displacement axial piston motors
Swing .....	1 axial piston motor

#### Relief Valve Settings

Implement circuit .....	34.3 MPa (350 kgf/cm <sup>2</sup> )
Swing circuit .....	27.8 MPa (285 kgf/cm <sup>2</sup> )
Travel circuit .....	34.3 MPa (350 kgf/cm <sup>2</sup> )
Pilot circuit .....	3.9 MPa (40 kgf/cm <sup>2</sup> )
Power boost .....	38.0 MPa (388 kgf/cm <sup>2</sup> )

#### Hydraulic Cylinders

#### ZX300LC / ZX300LCN TYPE HE15LD SUPER LONG FRONT

	Quantity	Bore	Rod diameter
Boom	2	135 mm	95 mm
Arm	1	170 mm	115 mm
Bucket	1	115 mm	80 mm

#### ZX300LC / ZX300LCN TYPE HE18LD SUPER LONG FRONT

	Quantity	Bore	Rod diameter
Boom	2	135 mm	95 mm
Arm	1	150 mm	105 mm
Bucket	1	105 mm	75 mm

### UPPERSTRUCTURE

#### Revolving Frame

D-section frame for resistance to deformation.

#### Swing Device

Axial piston motor with planetary reduction gear is bathed in oil. Swing circle is single-row. Swing parking brake is spring-set/hydraulic-released disc type.

Swing speed .....	6.7 min <sup>-1</sup> (rpm)
Swing torque .....	77.6 kNm (7 913 kgfm)

#### Operator's Cab

Independent spacious cab, 1 005 mm wide by 1 675 mm high, conforming to ISO\* Standards.

\* International Organization for Standardization

### UNDERCARRIAGE

#### Tracks

Heat-treated connecting pins with dirt seals. Hydraulic (grease) track adjusters with shock-absorbing recoil springs.

#### Numbers of Rollers and Shoes on Each Side

Upper rollers .....	2
Lower rollers .....	8
Track shoes .....	48
Track guard .....	3

#### Travel Device

Each track driven by 2-speed axial piston motor. Parking brake is spring-set/hydraulic-released disc type. Automatic transmission system: High-Low.

Travel speeds .....	High : 0 to 5.2 km/h
	Low : 0 to 3.1 km/h

Maximum traction force .....	246 kN (25 100 kgf)
------------------------------	---------------------

Gradeability .....	58% (30 degree) continuous
--------------------	----------------------------

### SOUND LEVEL

Sound level in cab according to ISO 6396 ..... LpA 69 dB(A)  
 External sound level according to ISO 6395 and  
 EU Directive 2000/14/EC ..... LwA 105 dB(A)

### SERVICE REFILL CAPACITIES

Fuel tank .....	510.0 L
Engine coolant .....	46.0 L
Engine oil .....	48.0 L
Swing device .....	12.0 L
Travel device (each side) .....	9.2 L
Hydraulic system .....	294.0 L
Hydraulic oil tank .....	156.0 L
DEF/AdBlue® tank .....	70.0 L

## WEIGHTS AND GROUND PRESSURE

### ZX300LC TYPE HE15LD SUPER LONG FRONT:

Equipped with 8.70 m monoblock boom, 6.10 m arm and 0.7 m<sup>3</sup> bucket (SAE, PCSA heaped), 7 750 kg counterweight.

Shoe type	Shoe width	Operating weight	Ground pressure
Triple grouser	600 mm	32 900 kg	62 kPa (0.62 kgf/cm <sup>2</sup> )
	700 mm	33 300 kg	53 kPa (0.53 kgf/cm <sup>2</sup> )
	800 mm	33 700 kg	47 kPa (0.47 kgf/cm <sup>2</sup> )

### ZX300LCN TYPE HE15LD SUPER LONG FRONT:

Equipped with 8.70 m monoblock boom, 6.10 m arm and 0.7 m<sup>3</sup> bucket (SAE, PCSA heaped), 7 750 kg counterweight.

Shoe type	Shoe width	Operating weight	Ground pressure
Triple grouser	600 mm	32 800 kg	61 kPa (0.61 kgf/cm <sup>2</sup> )
	700 mm	33 200 kg	53 kPa (0.53 kgf/cm <sup>2</sup> )
	800 mm	33 600 kg	47 kPa (0.47 kgf/cm <sup>2</sup> )

### ZX300LC TYPE HE18LD SUPER LONG FRONT:

Equipped with 10.23 m monoblock boom, 7.28 m arm and 0.4 m<sup>3</sup> bucket (SAE, PCSA heaped), 7 750 kg counterweight.

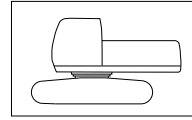
Shoe type	Shoe width	Operating weight	Ground pressure
Triple grouser	600 mm	32 900 kg	62 kPa (0.63 kgf/cm <sup>2</sup> )
	700 mm	33 300 kg	54 kPa (0.55 kgf/cm <sup>2</sup> )
	800 mm	33 700 kg	48 kPa (0.49 kgf/cm <sup>2</sup> )

### ZX300LCN TYPE HE18LD SUPER LONG FRONT:

Equipped with 10.23 m monoblock boom, 7.28 m arm and 0.4 m<sup>3</sup> bucket (SAE, PCSA heaped), 7 750 kg counterweight.

Shoe type	Shoe width	Operating weight	Ground pressure
Triple grouser	600 mm	32 700 kg	57 kPa (0.63 kgf/cm <sup>2</sup> )
	700 mm	33 100 kg	49 kPa (0.55 kgf/cm <sup>2</sup> )
	800 mm	33 500 kg	43 kPa (0.49 kgf/cm <sup>2</sup> )

## Basic Machine Weight and Overall width



Excluding front end attachment, additional counterweight, fuel, hydraulic oil and coolant etc.  
Including counterweight.

### ZX300LC

Shoe width	Weight	Overall width
600 mm	26 600 kg	3 190 mm
700 mm	27 000 kg	3 290 mm
800 mm	27 400 kg	3 390 mm

### ZX300LCN

Shoe width	Weight	Overall width
600 mm	26 400 kg	2 990 mm
700 mm	26 800 kg	3 090 mm
800 mm	27 200 kg	3 190 mm

## BUCKET SPECIFICATIONS AND COMPATIBILITY

### ZX300LC / ZX300LCN

	Capacity ISO heaped	Width without side cutters	Weight	Recommendation			
				ZX300LC		ZX300LCN	
				HE15LD	HE18LD	HE15LD	HE18LD
Bucket radius 1230 mm	0.40 m <sup>3</sup>	720 mm	340 kg	⊙	○	⊙	□
	0.45 m <sup>3</sup>	800 mm	370 kg	⊙	□	⊙	□
	0.50 m <sup>3</sup>	890 mm	390 kg	⊙	□	⊙	-
	0.59 m <sup>3</sup>	950 mm	410 kg	⊙	-	⊙	-
	0.66 m <sup>3</sup>	1 030 mm	430 kg	⊙	-	⊙	-
Bucket radius 1430 mm	0.52 m <sup>3</sup>	790 mm	450 kg	⊙	-	⊙	-
	0.60 m <sup>3</sup>	925 mm	480 kg	⊙	-	⊙	-
	0.70 m <sup>3</sup>	1 005 mm	520 kg	⊙	-	○	-
	0.82 m <sup>3</sup>	1 140 mm	560 kg	□	-	□	-
Slope finishing	-	1 600 mm	430 kg	-	◇	-	◇
	-	1 700 mm	520 kg	◇	-	◇	-
Max. weight				2 040 kg	1 060 kg	1 910 kg	1 060 kg

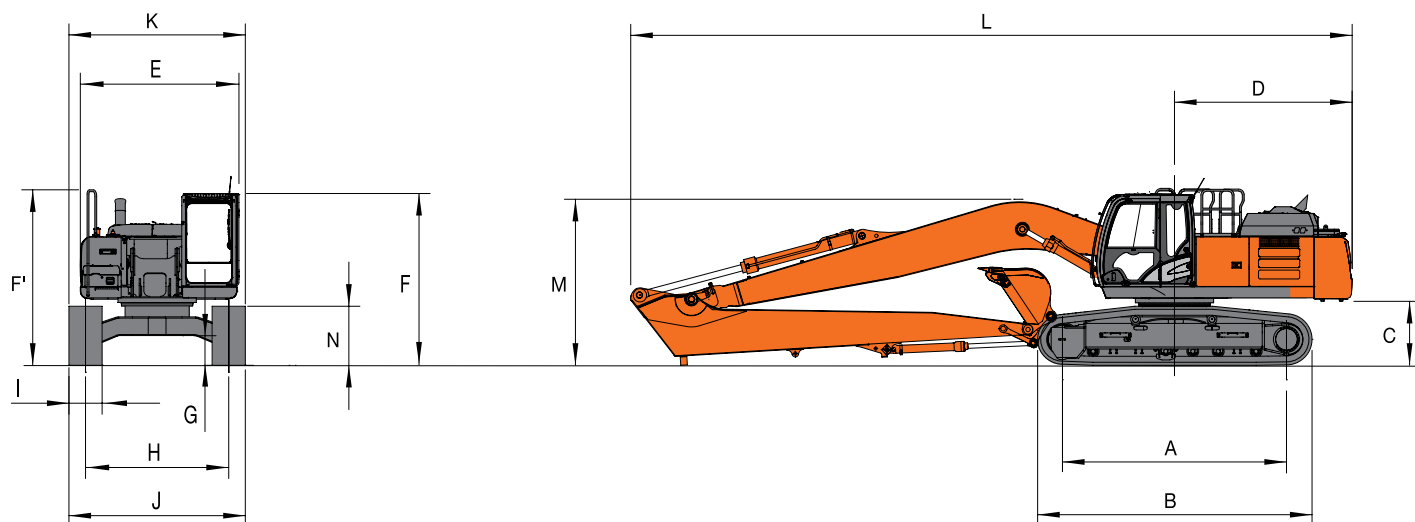
- ⊙ Suitable for materials with density of 1 800 kg/m<sup>3</sup> or less
- Suitable for materials with density of 1 600 kg/m<sup>3</sup> or less
- Suitable for materials with density of 1 100 kg/m<sup>3</sup> or less
- ◇ Slope-finishing service
- Not applicable

- Use the bucket in the range where the total weight of bucket and loading material does not exceed maximum weight described above.

# SPECIFICATIONS

ZX300LC / ZX300LCN TYPE HE15LD SUPER LONG FRONT

## DIMENSIONS



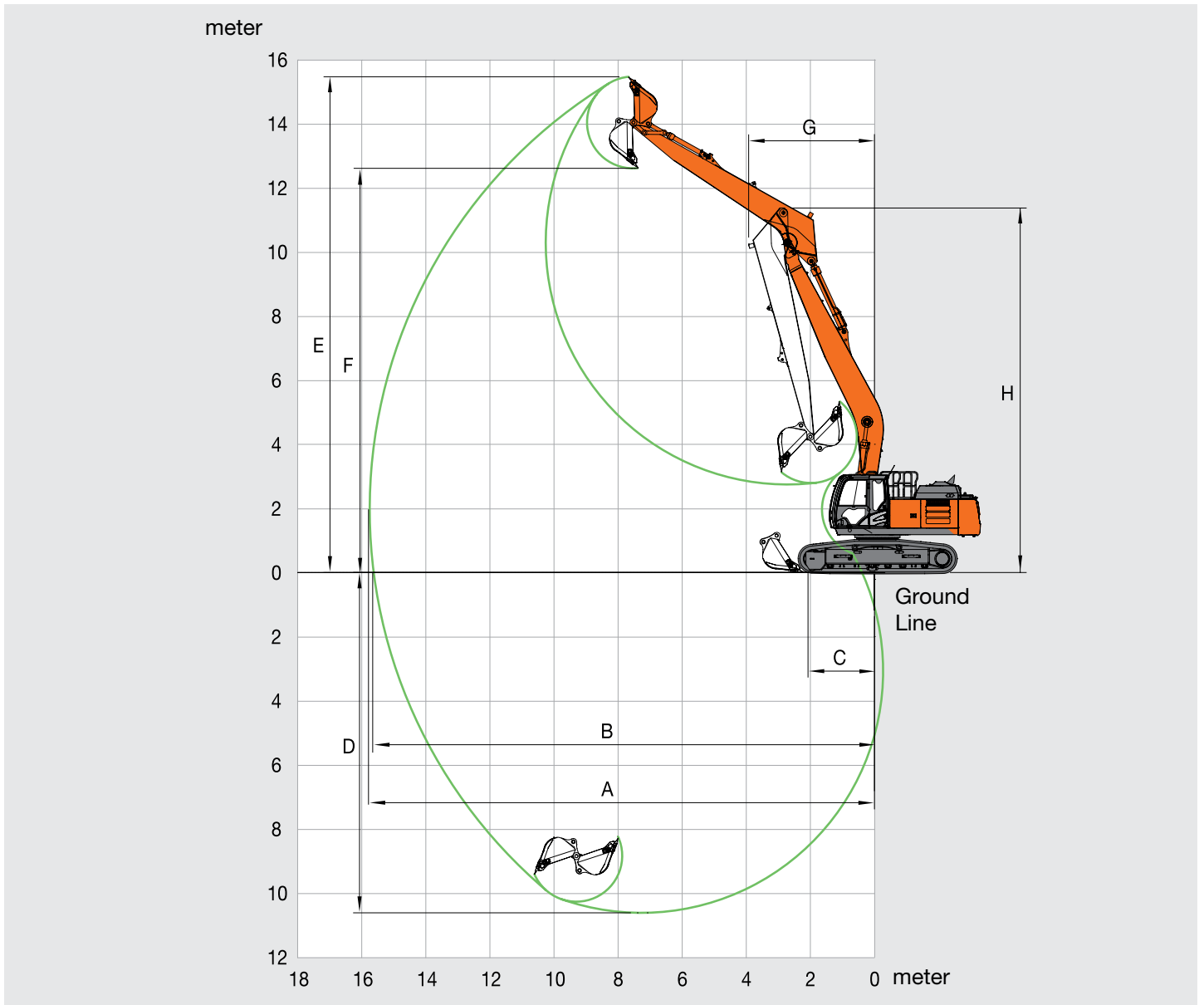
Unit: mm

	ZX300LC TYPE HE15LD	ZX300LCN TYPE HE15LD
A Distance between tumbler	4 050	4 050
B Undercarriage length	4 940	4 940
*C Counterweight clearance	1 130	1 130
D Rear-end swing radius	3 250	3 250
E Overall width of upperstructure	2 990	2 990
F Overall height of cab	3 120	3 120
F' Overall height of handrail	3 180	3 180
*G Min. ground clearance	510	510
H Track gauge	2 590	2 390
I Track shoe width	600 / 700 / 800	600 / 700 / 800
J Undercarriage width	3 190 / 3 290 / 3 390	2 990 / 3 090 / 3 190
K Overall width	3 190 / 3 290 / 3 390	2 990 / 3 090 / 3 190
L Overall length	13 190	13 190
M Overall height of boom	3 060	3 060
N Track height with triple grouser shoes	1 070	1 070

\*: Excluding track shoe lug



## WORKING RANGES



Unit: mm

	ZX300LC / ZX300LCN TYPE HE15LD
A Max. digging reach	15 750
B Max. digging reach (on ground)	15 630
C Max. level crowding distance	2 110
D Max. digging depth	10 620
E Max. cutting height	15 450
F Max. dumping height	12 560
G Min. swing radius	3 920
H Min. swing radius height	11 370
Bucket digging force ISO	84 kN (8 560 kgf)
Arm crowd force ISO	67 kN (6 830 kgf)

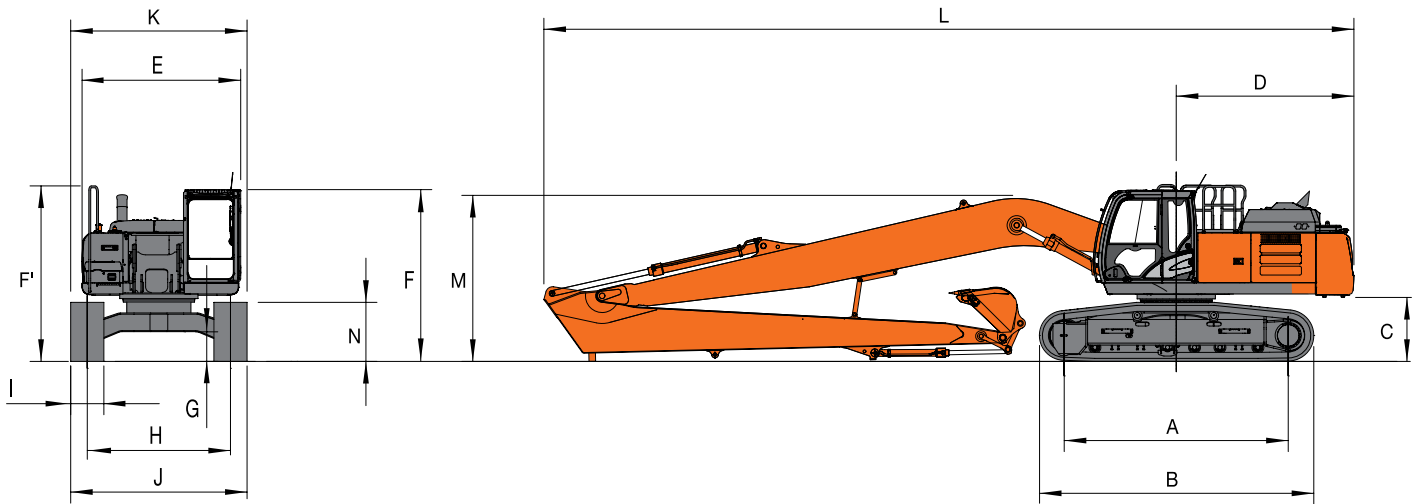
• Excluding track shoe lug

Note: Working range can be changed, depending on bucket size.

# SPECIFICATIONS

## ZX300LC / ZX300LCN TYPE HE18LD SUPER LONG FRONT

### DIMENSIONS

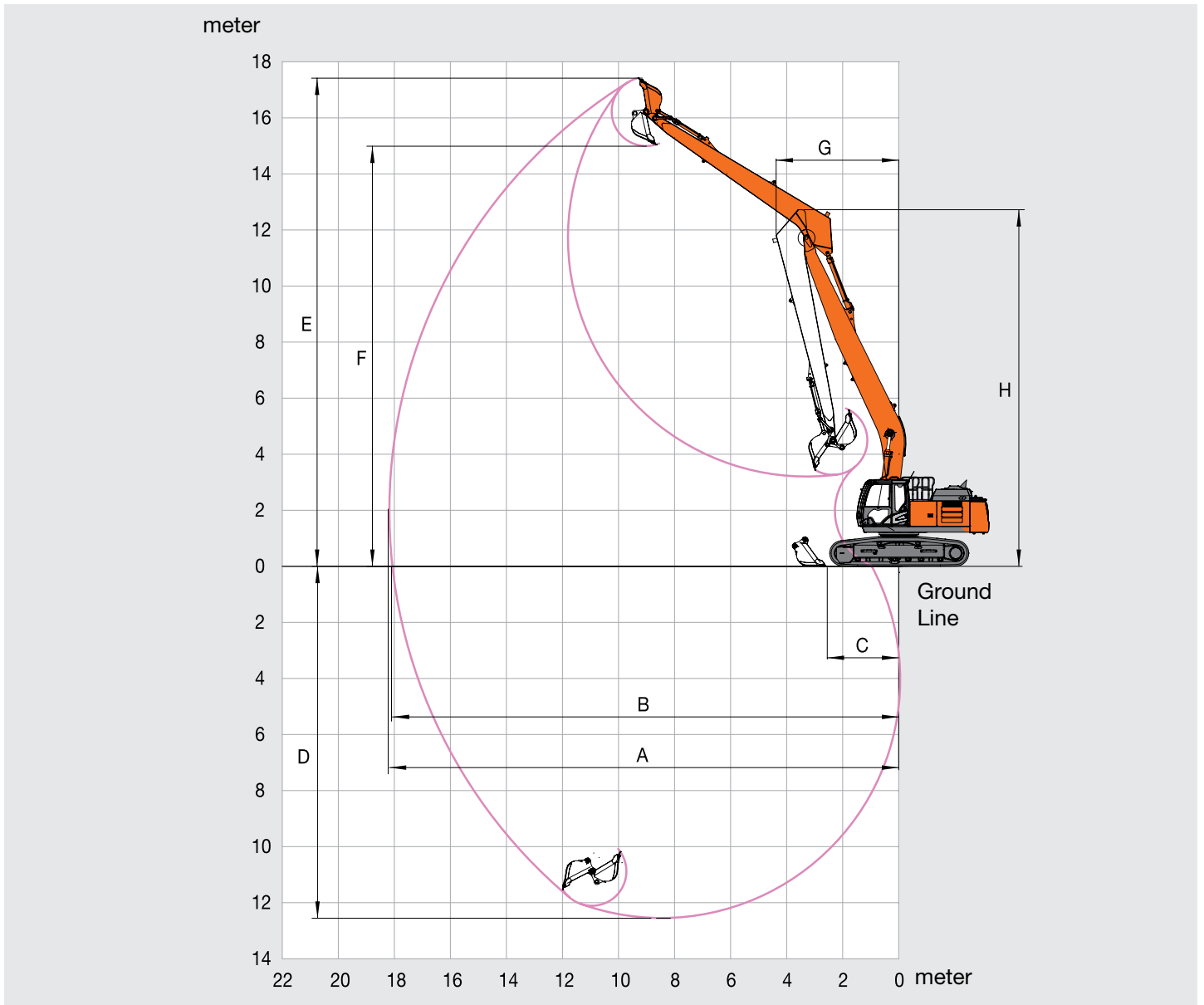


Unit: mm

	ZX300LC TYPE HE18LD	ZX300LCN TYPE HE18LD
A Distance between tumbler	4 050	4 050
B Undercarriage length	4 940	4 940
*C Counterweight clearance	1 130	1 130
D Rear-end swing radius	3 250	3 250
E Overall width of upperstructure	2 990	2 990
F Overall height of cab	3 120	3 120
F' Overall height of handrail	3 180	3 180
*G Min. ground clearance	510	510
H Track gauge	2 590	2 390
I Track shoe width	600 / 700 / 800	600 / 700 / 800
J Undercarriage width	3 190 / 3 290 / 3 390	2 990 / 3 090 / 3 190
K Overall width	3 190 / 3 290 / 3 390	2 990 / 3 090 / 3 190
L Overall length	14 690	14 690
M Overall height of boom	3 030	3 030
N Track height with triple grouser shoes	1 070	1 070

\* : Excluding track shoe lug

## WORKING RANGES



Unit: mm

	ZX300LC / ZX300LCN TYPE HE18LD
A Max. digging reach	18 180
B Max. digging reach (on ground)	18 070
C Max. level crowding distance	2 550
D Max. digging depth	12 550
E Max. cutting height	17 420
F Max. dumping height	14 990
G Min. swing radius	4 360
H Min. swing radius height	12 720
Bucket digging force ISO	74 kN (7 560 kgf)
Arm crowd force ISO	52 kN (5 360 kgf)

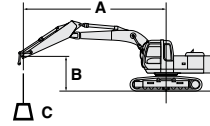
• Excluding track shoe lug

Note: Working range can be changed, depending on bucket size.

# LIFTING CAPACITIES

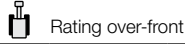
## Metric measure

- Notes:
1. Ratings are based on ISO 10567.
  2. Lifting capacity of the ZAXIS series does not exceed 75% of tipping load with the machine on firm, level ground or 87% full hydraulic capacity.
  3. The load point is the center-line of the bucket pivot mounting pin on the arm.
  4. \* Indicates load limited by hydraulic capacity.
  5. 0m = Ground.
- For lifting capacities, subtract bucket and quick hitch weight from lifting capacities.



A: Load radius  
B: Load point height  
C: Lifting capacity

### ZX300LC TYPE HE15LD SUPER LONG FRONT

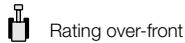


Unit: kg

Conditions	Load point height m	Load radius m									
		3.0		4.5		6.0		7.5		9.0	
		Rating over-front	Rating over-side or 360 degrees	Rating over-front	Rating over-side or 360 degrees	Rating over-front	Rating over-side or 360 degrees	Rating over-front	Rating over-side or 360 degrees	Rating over-front	Rating over-side or 360 degrees
Boom 8.70 m	13.5										
Arm 6.10 m	12.0									3 130*	3 130*
Counterweight	10.5									3 040*	3 040*
7 200 kg	9.0									3 080*	3 080*
Additional counterweight 550 kg	7.5									3 220*	3 220*
600 mm grouser shoe	6.0							3 880*	3 880*	3 440*	3 440*
	4.5					5 280*	5 280*	4 350*	4 350*	3 740*	3 740*
	3.0	3 950*	3 950*	8 550*	8 550*	6 150*	6 150*	4 860*	4 860*	4 060*	4 060*
	1.5			7 730*	7 730*	6 920*	6 920*	5 330*	5 330*	4 360*	4 360*
0 (Ground)	0	2 430*	2 430*	5 830*	5 830*	7 440*	7 330	5 690*	5 440	4 600*	4 240
	-1.5	3 510*	3 510*	6 070*	6 070*	7 630*	7 020	5 880*	5 200	4 750*	4 060
	-3.0	4 710*	4 710*	7 020*	7 020*	7 540*	6 910	5 880*	5 080	4 750*	3 960
	-4.5	6 050*	6 050*	8 400*	8 400*	7 160*	6 930	5 670*	5 060	4 600*	3 940
	-6.0	7 560*	7 560*	8 290*	8 290*	6 500*	6 500*	5 200*	5 140	4 220*	4 000
	-7.5			6 810*	6 810*	5 470*	5 470*	4 410*	4 410*	3 520*	3 520*
	-9.0					3 920*	3 920*	3 110*	3 110*		

Conditions	Load point height m	Load radius m						At max. reach		
		10.5		12.0		13.5		Rating over-front	Rating over-side or 360 degrees	meter
		Rating over-front	Rating over-side or 360 degrees	Rating over-front	Rating over-side or 360 degrees	Rating over-front	Rating over-side or 360 degrees	Rating over-front	Rating over-side or 360 degrees	
Boom 8.70 m	13.5							2 390*	2 390*	8.4
Arm 6.10 m	12.0							2 120*	2 120*	10.1
Counterweight	10.5	2 920*	2 920*					1 970*	1 970*	11.5
7 200 kg	9.0	2 900*	2 900*	2 790*	2 790*			1 900*	1 900*	12.4
Additional counterweight 550 kg	7.5	2 980*	2 980*	2 800*	2 800*			1 860*	1 860*	13.2
600 mm grouser shoe	6.0	3 120*	3 120*	2 870*	2 870*	2 490*	2 490*	1 870*	1 870*	13.7
	4.5	3 300*	3 300*	2 980*	2 980*	2 740*	2 480	1 900*	1 900*	14.1
	3.0	3 510*	3 510*	3 110*	2 990	2 800*	2 410	1 980*	1 980*	14.3
	1.5	3 700*	3 550	3 230*	2 870	2 860*	2 350	2 080*	2 080*	14.3
0 (Ground)	0	3 860*	3 390	3 320*	2 770	2 890*	2 290	2 240*	2 110	14.2
	-1.5	3 950*	3 270	3 360*	2 690	2 850*	2 260	2 430*	2 160	13.9
	-3.0	3 940*	3 210	3 290*	2 660			2 720*	2 280	13.4
	-4.5	3 780*	3 200	3 080*	2 680			2 710*	2 490	12.7
	-6.0	3 400*	3 260					2 650*	2 650*	11.9
	-7.5	2 620*	2 620*					2 490*	2 490*	10.7
	-9.0									

### ZX300LCN TYPE HE15LD SUPER LONG FRONT



Unit: kg

Conditions	Load point height m	Load radius m									
		3.0		4.5		6.0		7.5		9.0	
		Rating over-front	Rating over-side or 360 degrees	Rating over-front	Rating over-side or 360 degrees	Rating over-front	Rating over-side or 360 degrees	Rating over-front	Rating over-side or 360 degrees	Rating over-front	Rating over-side or 360 degrees
Boom 8.70 m	13.5										
Arm 6.10 m	12.0									3 130*	3 130*
Counterweight	10.5									3 040*	3 040*
7 200 kg	9.0									3 080*	3 080*
Additional counterweight 550 kg	7.5									3 220*	3 220*
600 mm grouser shoe	6.0							3 880*	3 880*	3 440*	3 440*
	4.5					5 280*	5 280*	4 350*	4 350*	3 740*	3 740*
	3.0	3 950*	3 950*	8 550*	8 550*	6 150*	6 150*	4 860*	4 860*	4 060*	4 060*
	1.5			7 730*	7 730*	6 920*	6 920*	5 330*	5 310	4 360*	4 090
0 (Ground)	0	2 430*	2 430*	5 830*	5 830*	7 440*	6 630	5 690*	4 950	4 600*	3 850
	-1.5	3 510*	3 510*	6 070*	6 070*	7 630*	6 330	5 880*	4 710	4 750*	3 680
	-3.0	4 710*	4 710*	7 020*	7 020*	7 540*	6 220	5 880*	4 590	4 750*	3 580
	-4.5	6 050*	6 050*	8 400*	8 400*	7 160*	6 240	5 670*	4 570	4 600*	3 560
	-6.0	7 560*	7 560*	8 290*	8 290*	6 500*	6 380	5 200*	4 650	4 220*	3 620
	-7.5			6 810*	6 810*	5 470*	5 470*	4 410*	4 410*	3 520*	3 520*
	-9.0					3 920*	3 920*	3 110*	3 110*		

Conditions	Load point height m	Load radius m						At max. reach		
		10.5		12.0		13.5		Rating over-front	Rating over-side or 360 degrees	meter
		Rating over-front	Rating over-side or 360 degrees	Rating over-front	Rating over-side or 360 degrees	Rating over-front	Rating over-side or 360 degrees	Rating over-front	Rating over-side or 360 degrees	
Boom 8.70 m	13.5							2 390*	2 390*	8.4
Arm 6.10 m	12.0							2 120*	2 120*	10.1
Counterweight	10.5	2 920*	2 920*					1 970*	1 970*	11.5
7 200 kg	9.0	2 900*	2 900*	2 790*	2 790*			1 900*	1 900*	12.4
Additional counterweight 550 kg	7.5	2 980*	2 980*	2 800*	2 800*			1 860*	1 860*	13.2
600 mm grouser shoe	6.0	3 120*	3 120*	2 870*	2 870*	2 490*	2 290	1 870*	1 870*	13.7
	4.5	3 300*	3 300*	2 980*	2 840	2 740*	2 250	1 900*	1 900*	14.1
	3.0	3 510*	3 420	3 110*	2 720	2 800*	2 180	1 980*	1 950	14.3
	1.5	3 700*	3 240	3 230*	2 610	2 860*	2 120	2 080*	1 900	14.3
0 (Ground)	0	3 860*	3 080	3 320*	2 500	2 890*	2 060	2 240*	1 900	14.2
	-1.5	3 950*	2 960	3 360*	2 430	2 850*	2 030	2 430*	1 950	13.9
	-3.0	3 940*	2 890	3 290*	2 400			2 720*	2 050	13.4
	-4.5	3 780*	2 890	3 080*	2 410			2 710*	2 240	12.7
	-6.0	3 400*	2 950					2 650*	2 550	11.9
	-7.5	2 620*	2 620*					2 490*	2 490*	10.7
	-9.0									





# EQUIPMENT

## ZX300LC / ZX300LCN TYPE HE15LD & HE18LD SUPER LONG FRONT

● ..... Standard equipment    ○ ..... Optional equipment

ENGINE	CAB	MONITOR SYSTEM	UNDERCARRIAGE
Aftertreatment device ●	All-weather sound suppressed steel cab ●	Alarms: overheat, engine warming, engine oil pressure, alternator, minimum fuel level, hydraulic filter restriction, air filter restriction, work mode, overload, SCR system trouble, etc. ●	Bolt-on sprocket ●
Air cleaner double filters ●	AM-FM radio ●	Alarm buzzers: overheat, engine oil pressure, overload, SCR system trouble ●	Reinforced track links with pin seals ●
Alternator 50 A ●	Ashtray ●	Display of meters: water temperature, hour, fuel rate, clock, DEF/AdBlue® rate ●	Shoe 600 mm triple grouser ●
Auto idle system ●	Auto control air conditioner ●	Other displays: work mode, auto-idle, glow, rearview monitor, operating conditions, etc ●	Shoe 700 mm triple grouser ○
Auto shut-down control ●	AUX function lever (Assist) ○	32 languages selection ●	Shoe 800 mm triple grouser ○
Cartridge-type engine oil filter ●	AUX. terminal and storage ●		Track undercover ○
Cartridge-type fuel main filter ●	Cigarette lighter 24 V ●		Travel direction mark on track frame ●
Cold fuel resistance valve ●	CRES V (Center pillar reinforced structure) cab ●		Travel motor covers ●
DEF/AdBlue® tank inlet strainer and extension filter ●	Drink holder with hot & cool function ●		Travel parking brake ●
DEF/AdBlue® tank inlet with ISO magnet adapter ●	Electric double horn ●		Upper and lower rollers ●
Dry-type air filter with evacuator valve (with air filter restriction indicator) ●	Engine shut-off switch ●		3 track guards (each side) and hydraulic track adjuster ●
Dust-proof indoor net ●	Equipped with reinforced, tinted (green color) glass windows ●		4 tie down hooks ●
ECO/PWR mode control ●	Evacuation hammer ●		
Electrical fuel feed pump ●	Fire extinguisher bracket ○	<b>LIGHTS</b>	
Engine oil drain coupler ●	Floor mat ●	Additional cab roof front lights ○	<b>FRONT ATTACHMENTS</b>
Expansion tank ●	Footrest ●	Additional cab roof rear lights ○	Casted bucket link A ●
Fan guard ●	Front window washer ●	Additional boom light with cover ○	Centralized lubrication system ●
Fuel cooler ●	Front window washer ●	Rotating lamp ○	Dirt seal on all bucket pins ●
Fuel pre-filter with water separator ●	Glove compartment ●	2 working lights ●	Flanged pin ●
Isolation-mounted engine ●	Hot & cool box ●		HN bushing ●
Maintenance free pre cleaner ○	Intermittent windshield wipers ●		Reinforced resin thrust plate ●
Radiator, oil cooler and intercooler ●	Key cylinder light ●		WC (tungsten-carbide) thermal spraying ●
	Laminated round glass window ○	<b>UPPER STRUCTURE</b>	Welded bucket link A ○
	LED room light with door courtesy ●	Batteries 2 x 135 Ah ●	
	OPG front guard Level II (ISO10262) compliant cab ○	Battery disconnect switch ●	<b>ATTACHMENTS</b>
	OPG top guard level I (ISO10262) compliant cab ●	Body top handrail ●	Additional pump (30 L/min) ○
	OPG top guard level II (ISO10262) compliant cab ○	Counterweight 7 200 kg ●	Assist piping ○
	Pilot control shut-off lever ●	Additional counterweight 550 kg ●	Attachment basic piping ●
	Power outlet 12 V ○	Electric fuel refilling pump with auto stop and filter ●	Pilot accumulator ○
	Rain guard ○	Fuel level float ●	
	Rear tray ●	Hydraulic oil level gauge ●	<b>MISCELLANEOUS</b>
	Retractable seat belt ●	Lockable fuel refilling cap ●	Global e-Service ●
	ROPS (ISO12117-2) compliant cab ●	Lockable machine covers ●	Onboard information controller ●
	Rubber radio antenna ●	Lockable tool box ●	Standard tool kit ●
	Seat: air suspension seat with heater ●	Platform handrail ●	Theft prevention system* ○
	Seat adjustment part: backrest, armrest, height and angle, slide forward/back ●	Rear view camera ●	
	Short wrist control levers ●	Rear view mirror (right & left side) ●	
	Sun visor (front window/side window) ○	Skid-resistant plates and handrails ●	
	Transparent roof with slide curtain ●	Swing parking brake ●	
	Windows on front, upper, lower and left can be opened ●	Undercover ●	
	2 speakers ●	Utility space ●	
	4 fluid-filled elastic mounts ●		

Standard and optional equipment may vary by country, so please consult your Hitachi dealer for details.

\* Hitachi Construction Machinery cannot be held liable for theft, any system will just minimize the risk of theft.



# SPECIFICATIONS

## ZX350LC / ZX350LCN TYPE HE15LD, HE18LD & HE20LD SUPER LONG FRONT

### ENGINE

Model .....	Isuzu AQ-6HK1X
Type .....	4-cycle water-cooled, common rail direct injection
Aspiration .....	Variable geometry turbocharged, intercooled, cooled EGR
Aftertreatment .....	DOC and SCR system
No. of cylinders .....	6
Rated power	
ISO 14396 .....	210 kW at 1 900 min <sup>-1</sup>
ISO 9249, net .....	202 kW at 1 900 min <sup>-1</sup>
SAE J1349, net .....	202 kW at 1 900 min <sup>-1</sup>
Maximum torque .....	1 080 Nm at 1 500 min <sup>-1</sup>
Piston displacement ...	7.790 L
Bore and stroke .....	115 mm x 125 mm
Batteries .....	2 x 12 V / 135 Ah

### HYDRAULIC SYSTEM

#### Hydraulic pumps

Main pumps .....	3 variable displacement axial piston pumps
Maximum oil flow ...	2 x 288 L/min
	1 x 260 L/min
Pilot pump .....	1 gear pump
Maximum oil flow ...	36.4 L/min

#### Hydraulic Motors

Travel .....	2 variable displacement axial piston motors
Swing .....	1 axial piston motor

#### Relief Valve Settings

Implement circuit .....	34.3 MPa (350 kgf/cm <sup>2</sup> )
Swing circuit .....	26.9 MPa (275 kgf/cm <sup>2</sup> )
Travel circuit .....	34.3 MPa (350 kgf/cm <sup>2</sup> )
Pilot circuit .....	3.9 MPa (40 kgf/cm <sup>2</sup> )
Power boost .....	38.0 MPa (388 kgf/cm <sup>2</sup> )

#### Hydraulic Cylinders

#### ZX350LC / ZX350LCN TYPE HE15LD SUPER LONG FRONT

	Quantity	Bore	Rod diameter
Boom	2	145 mm	100 mm
Arm	1	170 mm	115 mm
Bucket	1	130 mm	90 mm

#### ZX350LC / ZX350LCN TYPE HE18LD SUPER LONG FRONT

	Quantity	Bore	Rod diameter
Boom	2	145 mm	100 mm
Arm	1	170 mm	115 mm
Bucket	1	115 mm	80 mm

#### ZX350LC / ZX350LCN TYPE HE20LD SUPER LONG FRONT

	Quantity	Bore	Rod diameter
Boom	2	145 mm	100 mm
Arm	1	170 mm	115 mm
Bucket	1	105 mm	75 mm

### UPPERSTRUCTURE

#### Revolving Frame

D-section frame for resistance to deformation.

#### Swing Device

Axial piston motor with planetary reduction gear is bathed in oil. Swing circle is single-row. Swing parking brake is spring-set/hydraulic-released disc type.

Swing speed .....	6.3 min <sup>-1</sup> (rpm)
Swing torque .....	99.6 kNm (10 156 kgfm)

#### Operator's Cab

Independent spacious cab, 1 005 mm wide by 1 675 mm high, conforming to ISO\* Standards.

\* International Organization for Standardization

### UNDERCARRIAGE

#### Tracks

Heat-treated connecting pins with dirt seals. Hydraulic (grease) track adjusters with shock-absorbing recoil springs.

#### Numbers of Rollers and Shoes on Each Side

Upper rollers .....	2
Lower rollers .....	8
Track shoes .....	48
Track guards .....	3

#### Travel Device

Each track driven by 2-speed axial piston motor.

Parking brake is spring-set/hydraulic-released disc type.

Automatic transmission system: High-Low.

Travel speeds .....	High : 0 to 5.0 km/h
	Low : 0 to 3.2 km/h

Maximum traction force .....	298 kN (30 400 kgf)
------------------------------	---------------------

Gradeability .....	58% (30 degree) continuous
--------------------	----------------------------

### SOUND LEVEL

Sound level in cab according to ISO 6396 .....LpA 69 dB(A)

External sound level according to ISO 6395 and

EU Directive 2000/14/EC .....LwA 105 dB(A)

### SERVICE REFILL CAPACITIES

Fuel tank .....	630.0 L
Engine coolant .....	43.0 L
Engine oil .....	48.0 L
Swing device .....	17.0 L
Travel device (each side) .....	9.2 L
Hydraulic system .....	340.0 L
Hydraulic oil tank .....	180.0 L
DEF/AdBlue® tank .....	70.0 L

## WEIGHTS AND GROUND PRESSURE

### ZX350LC TYPE HE15LD SUPER LONG FRONT:

Equipped with 9.00 m monoblock boom, 6.00 m arm and 1.0 m<sup>3</sup> bucket (SAE, PCSA heaped), 10 300 kg counterweight.

Shoe type	Shoe width	Operating weight	Ground pressure
Triple grouser	600 mm	37 900 kg	72 kPa (0.73 kgf/cm <sup>2</sup> )
	700 mm	38 200 kg	62 kPa (0.63 kgf/cm <sup>2</sup> )
	800 mm	38 600 kg	55 kPa (0.56 kgf/cm <sup>2</sup> )

### ZX350LCN TYPE HE15LD SUPER LONG FRONT:

Equipped with 9.00 m monoblock boom, 6.00 m arm and 1.0 m<sup>3</sup> bucket (SAE, PCSA heaped), 10 300 kg counterweight.

Shoe type	Shoe width	Operating weight	Ground pressure
Triple grouser	600 mm	37 800 kg	72 kPa (0.73 kgf/cm <sup>2</sup> )
	700 mm	38 100 kg	62 kPa (0.63 kgf/cm <sup>2</sup> )

### ZX350LC TYPE HE18LD SUPER LONG FRONT:

Equipped with 10.45 m monoblock boom, 7.02 m arm and 0.7 m<sup>3</sup> bucket (SAE, PCSA heaped), 10 300 kg counterweight.

Shoe type	Shoe width	Operating weight	Ground pressure
Triple grouser	600 mm	38 000 kg	72 kPa (0.73 kgf/cm <sup>2</sup> )
	700 mm	38 400 kg	62 kPa (0.63 kgf/cm <sup>2</sup> )
	800 mm	38 700 kg	55 kPa (0.56 kgf/cm <sup>2</sup> )

### ZX350LCN TYPE HE18LD SUPER LONG FRONT:

Equipped with 10.45 m monoblock boom, 7.02 m arm and 0.7 m<sup>3</sup> bucket (SAE, PCSA heaped), 10 300 kg counterweight.

Shoe type	Shoe width	Operating weight	Ground pressure
Triple grouser	600 mm	37 900 kg	72 kPa (0.73 kgf/cm <sup>2</sup> )
	700 mm	38 300 kg	62 kPa (0.63 kgf/cm <sup>2</sup> )

### ZX350LC TYPE HE20LD SUPER LONG FRONT:

Equipped with 11.80 m monoblock boom, 8.20 m arm and 0.45 m<sup>3</sup> bucket (SAE, PCSA heaped), 9 940 kg counterweight.

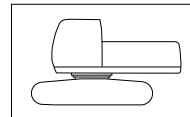
Shoe type	Shoe width	Operating weight	Ground pressure
Triple grouser	600 mm	37 700 kg	71 kPa (0.72 kgf/cm <sup>2</sup> )
	700 mm	38 100 kg	62 kPa (0.63 kgf/cm <sup>2</sup> )
	800 mm	38 500 kg	54 kPa (0.55 kgf/cm <sup>2</sup> )

### ZX350LCN TYPE HE20LD SUPER LONG FRONT:

Equipped with 11.80 m monoblock boom, 8.20 m arm and 0.45 m<sup>3</sup> bucket (SAE, PCSA heaped), 9 940 kg counterweight.

Shoe type	Shoe width	Operating weight	Ground pressure
Triple grouser	600 mm	37 600 kg	71 kPa (0.72 kgf/cm <sup>2</sup> )
	700 mm	38 000 kg	62 kPa (0.63 kgf/cm <sup>2</sup> )

### Basic Machine Weight and Overall width



Excluding front end attachment, additional counterweight, fuel, hydraulic oil and coolant etc.

Including counterweight.

#### ZX350LC

Shoe width	Weight	Overall width
600 mm	29 800 kg	3 190 mm
700 mm	30 200 kg	3 290 mm
800 mm	30 600 kg	3 390 mm

#### ZX350LCN

Shoe width	Weight	Overall width
600 mm	29 700 kg	2 990 mm
700 mm	30 100 kg	3 090 mm

# SPECIFICATIONS

## ZX350LC / ZX350LCN TYPE HE15LD, HE18LD & HE20LD SUPER LONG FRONT

### BUCKET SPECIFICATIONS AND COMPATIBILITY

#### ZX350LC / ZX350LCN

	Capacity ISO heaped	Width without side cutters	Weight	Recommendation					
				ZX350LC			ZX350LCN		
				HE15LD	HE18LD	HE20LD	HE15LD	HE18LD	HE20LD
Bucket radius 1230 mm	0.40 m <sup>3</sup>	720 mm	340 kg	⊙	⊙	⊙	⊙	⊙	⊙
	0.45 m <sup>3</sup>	800 mm	370 kg	⊙	⊙	⊙	⊙	⊙	□
	0.50 m <sup>3</sup>	890 mm	390 kg	⊙	⊙	○	⊙	⊙	□
	0.59 m <sup>3</sup>	950 mm	410 kg	⊙	⊙	□	⊙	⊙	□
	0.66 m <sup>3</sup>	1 030 mm	430 kg	⊙	⊙	□	⊙	⊙	-
Bucket radius 1430 mm	0.52 m <sup>3</sup>	790 mm	450 kg	⊙	⊙	-	⊙	⊙	-
	0.60 m <sup>3</sup>	925 mm	480 kg	⊙	⊙	-	⊙	⊙	-
	0.70 m <sup>3</sup>	1 005 mm	520 kg	⊙	⊙	-	⊙	○	-
	0.82 m <sup>3</sup>	1 140 mm	560 kg	⊙	□	-	⊙	□	-
Bucket radius 1560 mm	0.80 m <sup>3</sup>	950 mm	755 kg	⊙	-	-	⊙	-	-
	1.00 m <sup>3</sup>	1 130 mm	851 kg	⊙	-	-	○	-	-
	1.10 m <sup>3</sup>	1 220 mm	901 kg	○	-	-	□	-	-
	1.25 m <sup>3</sup>	1 360 mm	957 kg	□	-	-	□	-	-
	1.40 m <sup>3</sup>	1 500 mm	1 20 kg	□	-	-	-	-	-
Slope finishing	-	1 600 mm	430 kg	-	-	◇	-	-	◇
	-	1 700 mm	520 kg	-	◇	-	-	◇	-
Max. weight				2 660 kg	1 880 kg	1 220 kg	2 460 kg	1 710 kg	1 080 kg

⊙ Suitable for materials with density of 1 800 kg/m<sup>3</sup> or less

○ Suitable for materials with density of 1 600 kg/m<sup>3</sup> or less

□ Suitable for materials with density of 1 100 kg/m<sup>3</sup> or less

◇ Slope-finishing service

- Not applicable

- Use the bucket in the range where the total weight of bucket and loading material does not exceed maximum weight described above.

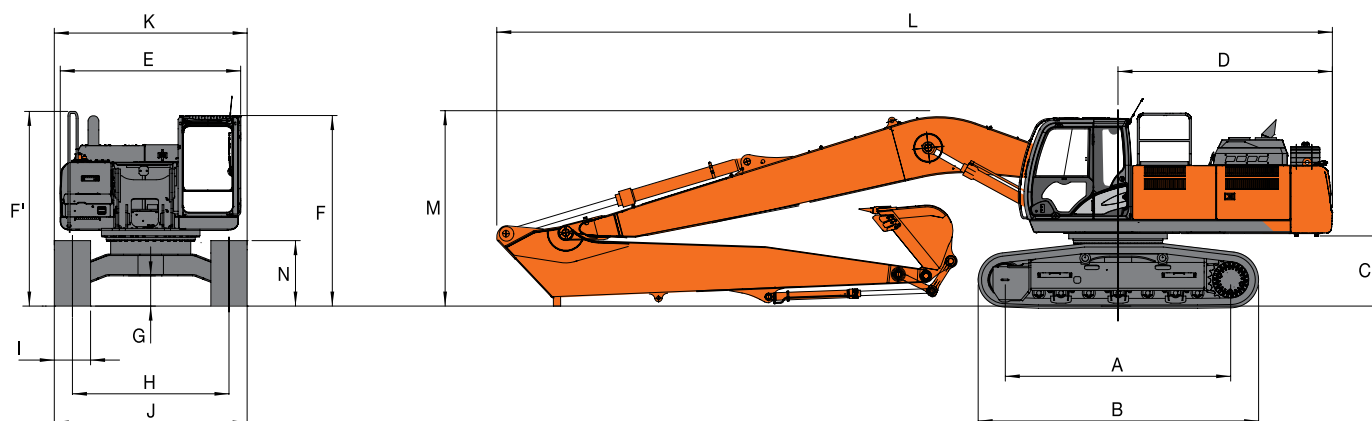




# SPECIFICATIONS

## ZX350LC / ZX350LCN TYPE HE15LD SUPER LONG FRONT

### DIMENSIONS

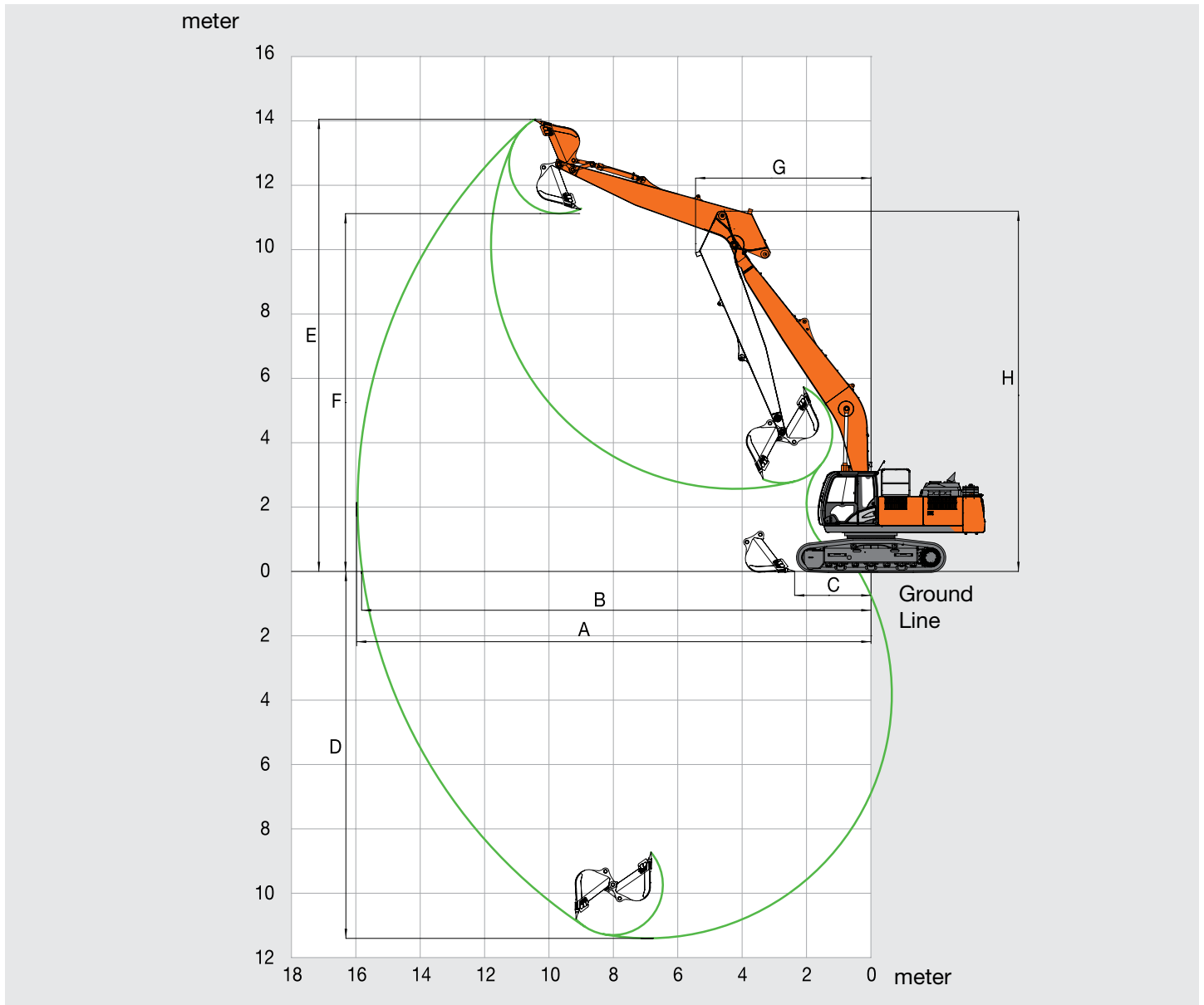


Unit: mm

	ZX350LC TYPE HE15LD	ZX350LCN TYPE HE15LD
A Distance between tumbler	4 050	4 050
B Undercarriage length	4 950	4 950
*C Counterweight clearance	1 160	1 160
D Rear-end swing radius	3 600	3 600
E Overall width of upperstructure	2 990	2 990
F Overall height of cab	3 150	3 150
F' Overall height of handrail	3 220	3 220
*G Min. ground clearance	500	500
H Track gauge	2 590	2 390
I Track shoe width	600 / 700 / 800	600 / 700
J Undercarriage width	3 190 / 3 290 / 3 390	2 990 / 3 090
K Overall width	3 190 / 3 290 / 3 390	2 990 / 3 090
L Overall length	13 910	13 910
M Overall height of boom	3 270	3 270
N Track height with triple grouser shoes	1 070	1 070

•\* : Excluding track shoe lug

## WORKING RANGES



Unit: mm

		ZX350LC / ZX350LCN TYPE HE15LD
A	Max. digging reach	15 960
B	Max. digging reach (on ground)	15 820
C	Max. level crowding distance	2 370
D	Max. digging depth	11 400
E	Max. cutting height	14 050
F	Max. dumping height	11 120
G	Min. swing radius	5 450
H	Min. swing radius height	11 120
Bucket digging force ISO		104 kN (10 600 kgf)
Arm crowd force ISO		83 kN (8 450 kgf)

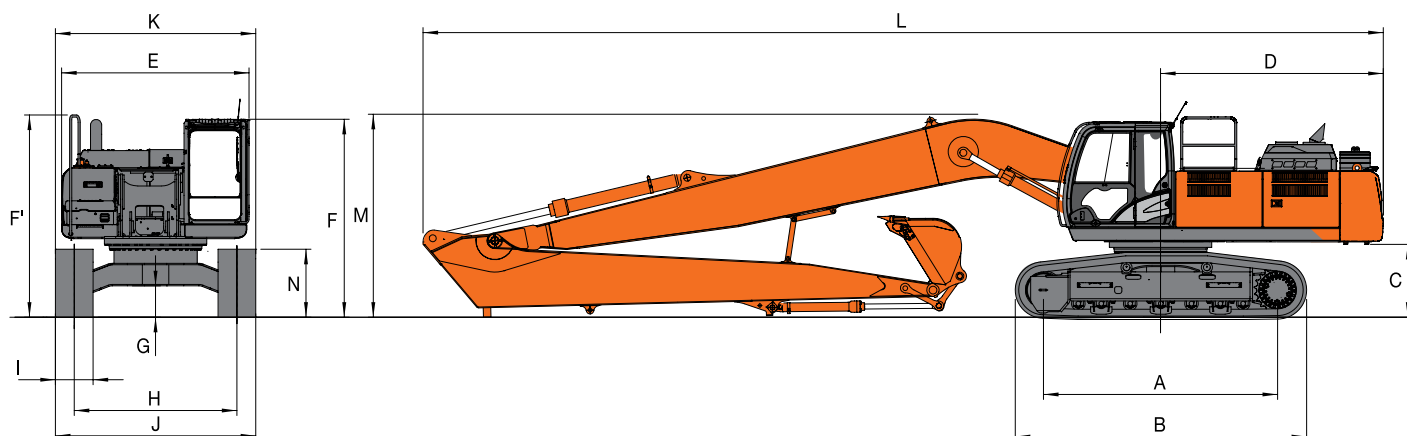
• Excluding track shoe lug

Note: Working range can be changed, depending on bucket size.

# SPECIFICATIONS

ZX350LC / ZX350LCN TYPE HE18LD SUPER LONG FRONT

## DIMENSIONS

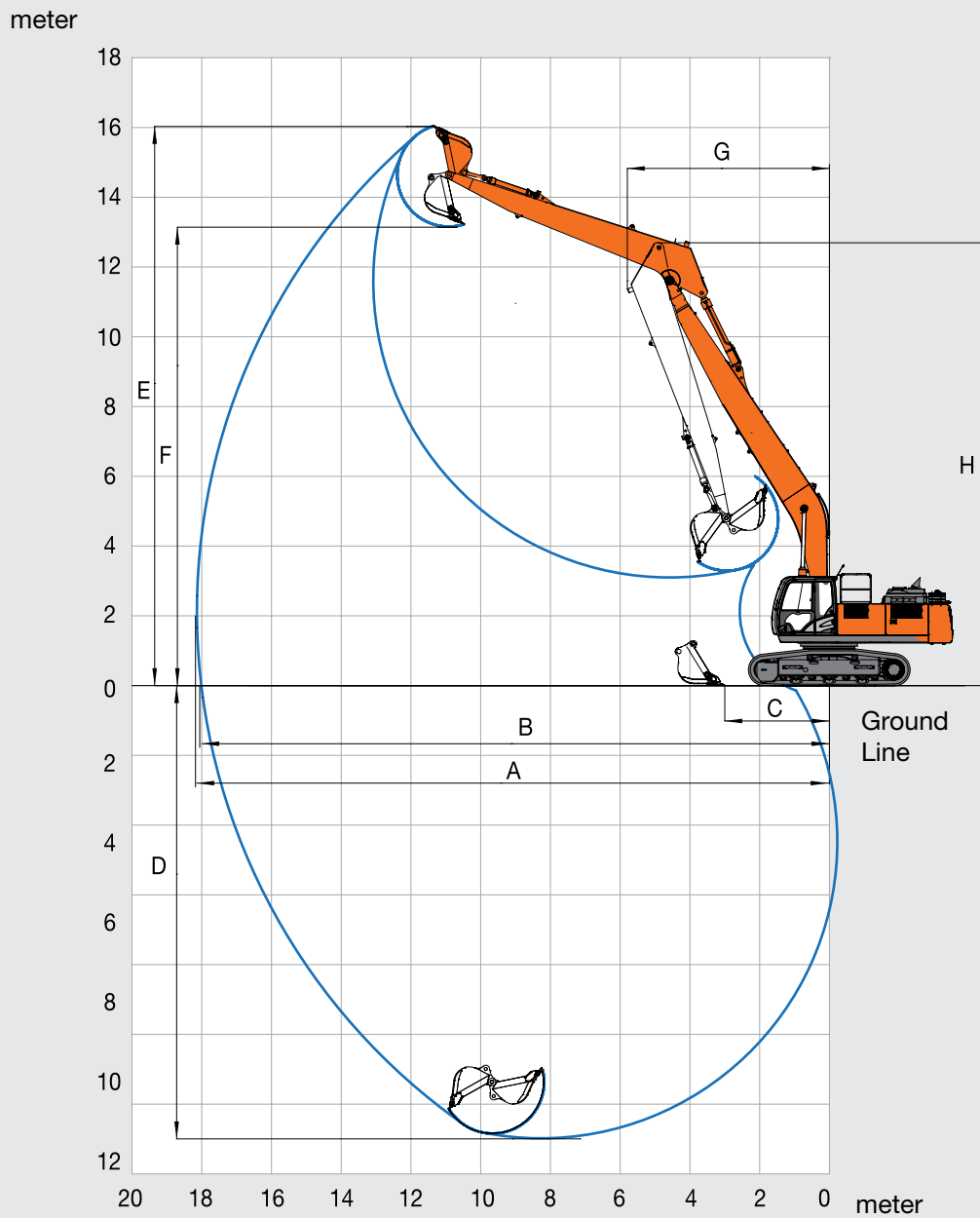


Unit: mm

	ZX350LC TYPE HE18LD	ZX350LCN TYPE HE18LD	
A	Distance between tumblers	4 050	4 050
B	Undercarriage length	4 950	4 950
*C	Counterweight clearance	1 160	1 160
D	Rear-end swing radius	3 600	3 600
E	Overall width of upperstructure	2 990	2 990
F	Overall height of cab	3 150	3 150
F'	Overall height of handrail	3 220	3 220
*G	Min. ground clearance	500	500
H	Track gauge	2 590	2 390
I	Track shoe width	600 / 700 / 800	600 / 700
J	Undercarriage width	3 190 / 3 290 / 3 390	2 990 / 3 090
K	Overall width	3 190 / 3 290 / 3 390	2 990 / 3 090
L	Overall length	15 330	15 330
M	Overall height of boom	3 250	3 250
N	Track height with triple grouser shoes	1 070	1 070

•\* : Excluding track shoe lug

## WORKING RANGES



Unit: mm

		ZX350LC / ZX350LCN TYPE HE18LD
A	Max. digging reach	18 130
B	Max. digging reach (on ground)	18 020
C	Max. level crowding distance	3 000
D	Max. digging depth	13 060
E	Max. cutting height	16 000
F	Max. dumping height	13 180
G	Min. swing radius	5 680
H	Min. swing radius height	12 690
Bucket digging force ISO		89 kN (9 030 kgf)
Arm crowd force ISO		74 kN (7 510 kgf)

• Excluding track shoe lug

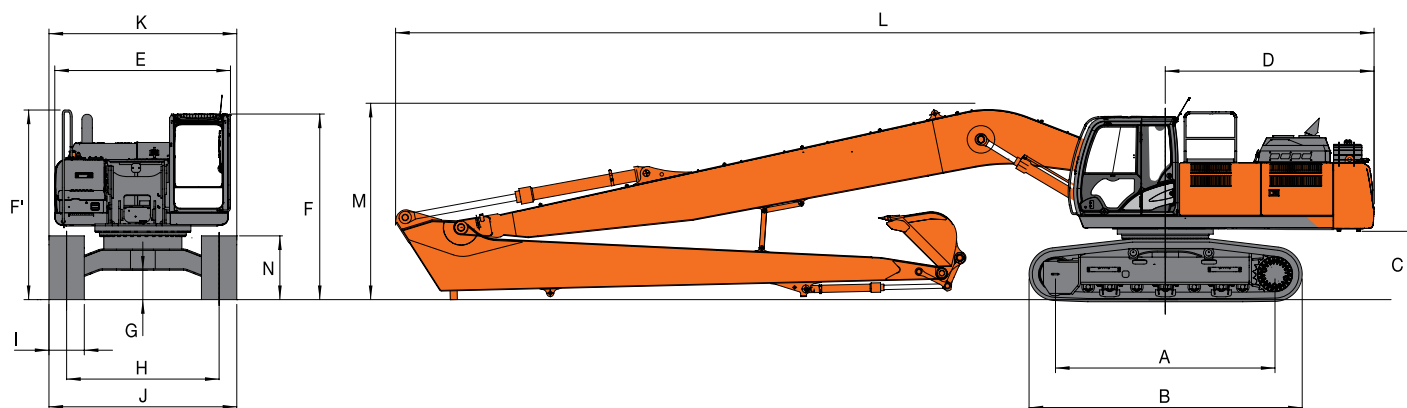
Note: Working range can be changed, depending on bucket size.



# SPECIFICATIONS

## ZX350LC / ZX350LCN TYPE HE20LD SUPER LONG FRONT

### DIMENSIONS

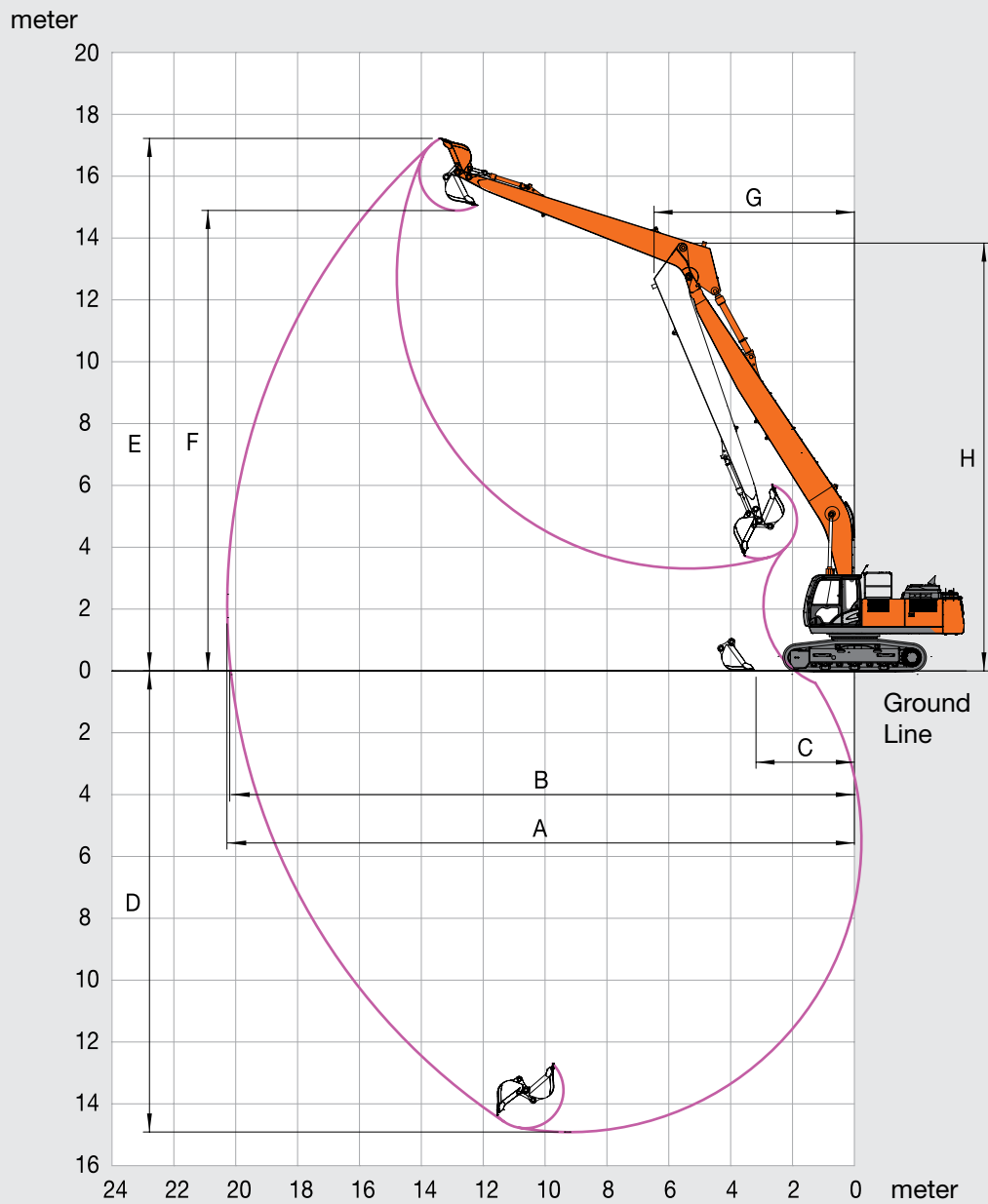


Unit: mm

	ZX350LC TYPE HE20LD	ZX350LCN TYPE HE20LD
A Distance between tumblers	4 050	4 050
B Undercarriage length	4 950	4 950
*C Counterweight clearance	1 160	1 160
D Rear-end swing radius	3 600	3 600
E Overall width of upperstructure	2 990	2 990
F Overall height of cab	3 150	3 150
F' Overall height of handrail	3 220	3 220
*G Min. ground clearance	500	500
H Track gauge	2 590	2 390
I Track shoe width	600 / 700 / 800	600 / 700
J Undercarriage width	3 190 / 3 290 / 3 390	2 990 / 3 090
K Overall width	3 190 / 3 290 / 3 390	2 990 / 3 090
L Overall length	16 710	16 710
M Overall height of boom	3 350	3 350
N Track height with triple grouser shoes	1 070	1 070

•\*: Excluding track shoe lug

## WORKING RANGES



Unit: mm

		ZX350LC / ZX350LCN TYPE HE20LD
A	Max. digging reach	20 260
B	Max. digging reach (on ground)	20 150
C	Max. level crowding distance	3 180
D	Max. digging depth	14 910
E	Max. cutting height	17 220
F	Max. dumping height	14 890
G	Min. swing radius	6 470
H	Min. swing radius height	13 840
Bucket digging force ISO		74 kN (7 510 kgf)
Arm crowd force ISO		65 kN (6 600 kgf)

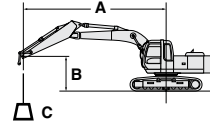
• Excluding track shoe lug

Note: Working range can be changed, depending on bucket size.

# LIFTING CAPACITIES

## Metric measure

- Notes: 1. Ratings are based on ISO 10567.  
 2. Lifting capacity of the ZAXIS series does not exceed 75% of tipping load with the machine on firm, level ground or 87% full hydraulic capacity.  
 3. The load point is the center-line of the bucket pivot mounting pin on the arm.  
 4. \* Indicates load limited by hydraulic capacity.  
 5. 0m = Ground.  
 For lifting capacities, subtract bucket and quick hitch weight from lifting capacities.



A: Load radius  
 B: Load point height  
 C: Lifting capacity

### ZX350LC TYPE HE15LD SUPER LONG FRONT

Rating over-front

Rating over-side or 360 degrees

Unit: kg

Conditions	Load point height m	Load radius m									
		3.0		4.5		6.0		7.5		9.0	
Boom 9.00 m	12.0										
Arm 6.00 m	10.5										
Counterweight	9.0										
8 870 kg	7.5										
Additional counterweight	6.0									4 870*	4 870*
1 430 kg	4.5							6 190*	6 190*	5 310*	5 310*
600 mm grouser shoe	3.0			12 450*	12 450*	8 840*	8 840*	6 940*	6 940*	5 790*	5 790*
	1.5			5 440*	5 440*	9 900*	9 900*	7 610*	7 610*	6 230*	5 960*
	0 (Ground)	1 790*	1 790*	5 000*	5 000*	10 540*	9 770	8 090*	7 290	6 560*	5 720
	-1.5	3 330*	3 330*	5 870*	5 870*	10 720*	9 520	8 320*	7 070	6 740*	5 560
	-3.0	4 930*	4 930*	7 300*	7 300*	10 510*	9 450	8 280*	6 970	6 740*	5 470
	-4.5	6 670*	6 670*	9 180*	9 180*	9 950*	9 510	7 960*	6 980	6 510*	5 470
	-6.0	8 660*	8 660*	11 390*	11 390*	9 030*	9 030*	7 320*	7 070	6 000*	5 530
	-7.5	11 070*	11 070*	9 430*	9 430*	7 660*	7 660*	6 270*	6 270*	5 080*	5 080*
	-9.0			6 750*	6 750*	5 650*	5 650*	4 580*	4 580*	3 400*	3 400*

Conditions	Load point height m	Load radius m						At max. reach		
		10.5		12.0		13.5				meter
Boom 9.00 m	12.0							3 500*	3 500*	10.4
Arm 6.00 m	10.5	4 030*	4 030*					3 320*	3 320*	11.6
Counterweight	9.0	4 050*	4 050*	3 910*	3 910*			3 230*	3 230*	12.6
8 870 kg	7.5	4 190*	4 190*	3 960*	3 960*			3 220*	3 220*	13.3
Additional counterweight	6.0	4 420*	4 420*	4 090*	4 090*	3 850*	3 480	3 250*	3 250*	13.8
1 430 kg	4.5	4 710*	4 710*	4 270*	4 180	3 930*	3 420	3 340*	3 130	14.2
600 mm grouser shoe	3.0	5 010*	4 990	4 460*	4 060	4 040*	3 350	3 460*	3 010	14.3
	1.5	5 300*	4 790	4 640*	3 930	4 130*	3 270	3 670*	2 960	14.4
	0 (Ground)	5 520*	4 630	4 770*	3 830	4 180*	3 220	3 900*	2 970	14.2
	-1.5	5 640*	4 520	4 820*	3 760	4 140*	3 180	3 950*	3 050	13.9
	-3.0	5 620*	4 460	4 740*	3 730			3 980*	3 210	13.4
	-4.5	5 400*	4 460	4 470*	3 750			4 000*	3 480	12.7
	-6.0	4 900*	4 530					3 950*	3 910	11.8
	-7.5	3 910*	3 910*					3 800*	3 800*	10.6
	-9.0							3 380*	3 380*	9.0

### ZX350LCN TYPE HE15LD SUPER LONG FRONT

Rating over-front

Rating over-side or 360 degrees

Unit: kg

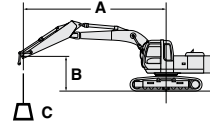
Conditions	Load point height m	Load radius m									
		3.0		4.5		6.0		7.5		9.0	
Boom 9.00 m	12.0										
Arm 6.00 m	10.5										
Counterweight	9.0										
8 870 kg	7.5										
Additional counterweight	6.0									4 870*	4 870*
1 430 kg	4.5							6 190*	6 190*	5 310*	5 310*
600 mm grouser shoe	3.0			12 450*	12 450*	8 840*	8 840*	6 940*	6 940*	5 790*	5 790*
	1.5			5 440*	5 440*	9 900*	9 460	7 610*	7 060	6 230*	5 520
	0 (Ground)	1 790*	1 790*	5 000*	5 000*	10 540*	8 960	8 090*	7 720	6 560*	5 280
	-1.5	3 330*	3 330*	5 870*	5 870*	10 720*	8 720	8 320*	6 500	6 740*	5 120
	-3.0	4 930*	4 930*	7 300*	7 300*	10 510*	8 650	8 280*	6 410	6 740*	5 040
	-4.5	6 670*	6 670*	9 180*	9 180*	9 950*	8 710	7 960*	6 410	6 510*	5 030
	-6.0	8 660*	8 660*	11 390*	11 390*	9 030*	8 870	7 320*	6 510	6 000*	5 100
	-7.5	11 070*	11 070*	9 430*	9 430*	7 660*	7 660*	6 270*	6 270*	5 080*	5 080*
	-9.0			6 750*	6 750*	5 650*	5 650*	4 580*	4 580*	3 400*	3 400*

Conditions	Load point height m	Load radius m						At max. reach		
		10.5		12.0		13.5				meter
Boom 9.00 m	12.0							3 500*	3 500*	10.4
Arm 6.00 m	10.5	4 030*	4 030*					3 320*	3 320*	11.6
Counterweight	9.0	4 050*	4 050*	3 910*	3 910*			3 230*	3 230*	12.6
8 870 kg	7.5	4 190*	4 190*	3 960*	3 960*			3 220*	3 220*	13.3
Additional counterweight	6.0	4 420*	4 420*	4 090*	3 990	3 850*	3 220	3 250*	3 070	13.8
1 430 kg	4.5	4 710*	4 710*	4 270*	3 880	3 930*	3 160	3 340*	2 890	14.2
600 mm grouser shoe	3.0	5 010*	4 630	4 460*	3 760	4 040*	3 090	3 460*	2 770	14.3
	1.5	5 300*	4 430	4 640*	3 630	4 130*	3 020	3 670*	2 730	14.4
	0 (Ground)	5 520*	4 270	4 770*	3 530	4 180*	2 960	3 900*	2 730	14.2
	-1.5	5 640*	4 160	4 820*	3 460	4 140*	2 920	3 950*	2 810	13.9
	-3.0	5 620*	4 100	4 740*	3 430			3 980*	2 950	13.4
	-4.5	5 400*	4 100	4 470*	3 450			4 000*	3 200	12.7
	-6.0	4 900*	4 170					3 950*	3 610	11.8
	-7.5	3 910*	3 910*					3 800*	3 800*	10.6
	-9.0							3 380*	3 380*	9.0

# LIFTING CAPACITIES

## Metric measure

- Notes: 1. Ratings are based on ISO 10567.  
 2. Lifting capacity of the ZAXIS series does not exceed 75% of tipping load with the machine on firm, level ground or 87% full hydraulic capacity.  
 3. The load point is the center-line of the bucket pivot mounting pin on the arm.  
 4. \* Indicates load limited by hydraulic capacity.  
 5. 0m = Ground.  
 For lifting capacities, subtract bucket and quick hitch weight from lifting capacities.



A: Load radius  
 B: Load point height  
 C: Lifting capacity

### ZX350LC HE18LD SUPER LONG FRONT

Rating over-front

Rating over-side or 360 degrees

Unit: kg

Conditions	Load point height m	Load radius m											
		3.0		4.5		6.0		7.5		9.0		10.5	
Boom 10.45 m	13.5												
Arm 7.02 m	12												
Counterweight	10.5												
8 870 kg	9												
Additional counterweight	7.5											3 690*	3 690*
1 430 kg	6									4 450*	4 450*	3 930*	3 930*
600 mm grouser shoe	4.5			9 980*	9 980*	7 270*	7 270*	5 780*	5 780*	4 840*	4 840*	4 190*	4 190*
	3			4 950*	4 950*	8 310*	8 310*	6 410*	6 410*	5 240*	5 240*	4 460*	4 460*
	1.5			2 770*	2 770*	9 100*	9 100*	6 930*	6 880*	5 600*	5 410*	4 710*	4 370*
	0 (Ground)			2 890*	2 890*	6 880*	6 880*	7 290*	6 450*	8 130*	5 100*	4 900*	4 150*
	-1.5	2 140*	2 140*	3 640*	3 640*	6 730*	6 730*	7 440*	6 180*	6 020*	4 890*	5 020*	3 990*
	-3	3 300*	3 300*	4 650*	4 650*	7 390*	7 390*	7 400*	6 050*	6 030*	4 760*	5 030*	3 880*
	-4.5	4 490*	4 490*	5 860*	5 860*	8 530*	8 220*	7 160*	6 020*	5 890*	4 710*	4 930*	3 840*
	-6	5 760*	5 760*	7 260*	7 260*	8 240*	8 240*	6 740*	6 080*	5 590*	4 740*	4 690*	3 850*
	-7.5	7 190*	7 190*	8 930*	8 930*	7 340*	7 340*	6 090*	6 090*	5 100*	4 830*	4 270*	3 920*
	-9	8 850*	8 850*	7 280*	7 280*	6 140*	6 140*	5 180*	5 180*	4 350*	4 350*	3 600*	3 600*
	-10.5					4 540*	4 540*	3 890*	3 890*	3 230*	3 230*	2 480*	2 480*

Conditions	Load point height m	Load radius m								At max. reach		
		12.0		13.5		15.0		16.5			meter	
Boom 10.45 m	13.5	3 000*	3 000*							2 890*	2 890*	12.1
Arm 7.02 m	12	3 180*	3 180*							2 760*	2 760*	13.3
Counterweight	10.5	3 190*	3 190*	3 030*	3 030*					2 700*	2 700*	14.3
8 870 kg	9	3 260*	3 260*	3 060*	3 060*	2 900*	2 840			2 670*	2 670*	15.1
Additional counterweight	7.5	3 380*	3 380*	3 130*	3 130*	2 940*	2 810			2 680*	2 520	15.7
1 430 kg	6	3 540*	3 540*	3 230*	3 230*	2 990*	2 760			2 730*	2 340	16.2
600 mm grouser shoe	4.5	3 720*	3 720*	3 350*	3 250	3 060*	2 680			2 810*	2 220	16.4
	3	3 900*	3 780	3 480*	3 120	3 140*	2 600	2 860*	2 170	2 830*	2 130	16.6
	1.5	4 070*	3 600	3 590*	2 990	3 210*	2 510	2 880*	2 120	2 840*	2 090	16.6
	0 (Ground)	4 200*	3 440	3 670*	2 890	3 250*	2 440	2 870*	2 090	2 860*	2 080	16.5
	-1.5	4 280*	3 320	3 710*	2 800	3 250*	2 390			2 870*	2 110	16.2
	-3	4 280*	3 240	3 690*	2 750	3 180*	2 370			2 890*	2 190	15.8
	-4.5	4 190*	3 210	3 570*	2 730	3 000*	2 380			2 890*	2 320	15.2
	-6	3 960*	3 220	3 320*	2 760					2 870*	2 530	14.5
	-7.5	3 560*	3 290	2 840*	2 840*					2 790*	2 790*	13.5
	-9	2 850*	2 850*							2 640*	2 640*	12.3
	-10.5									2 310*	2 310*	10.8

### ZX350LCN HE18LD SUPER LONG FRONT

Rating over-front

Rating over-side or 360 degrees

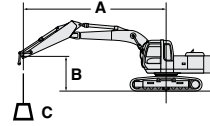
Unit: kg

Conditions	Load point height m	Load radius m											
		3.0		4.5		6.0		7.5		9.0		10.5	
Boom 10.45 m	13.5												
Arm 7.02 m	12												
Counterweight	10.5												
8 870 kg	9												
Additional counterweight	7.5											3 690*	3 690*
1 430 kg	6									4 450*	4 450*	3 930*	3 930*
600 mm grouser shoe	4.5			9 980*	9 980*	7 270*	7 270*	5 780*	5 780*	4 840*	4 840*	4 190*	4 190*
	3			4 950*	4 950*	8 310*	8 310*	6 410*	6 410*	5 240*	5 240*	4 460*	4 280
	1.5			2 770*	2 770*	9 100*	9 100*	6 930*	6 320	5 600*	4 980	4 710*	4 020
	0 (Ground)			2 890*	2 890*	6 880*	6 880*	7 290*	5 900	8 130	4 680	4 900*	3 810
	-1.5	2 140*	2 140*	3 640*	3 640*	6 730*	6 730*	7 440*	5 630	6 020*	4 460	5 020*	3 640
	-3	3 300*	3 300*	4 650*	4 650*	7 390*	7 390*	7 400*	5 500	6 030*	4 340	5 030*	3 540
	-4.5	4 490*	4 490*	5 860*	5 860*	8 530*	7 460	7 160*	5 480	5 890*	4 290	4 930*	3 490
	-6	5 760*	5 760*	7 260*	7 260*	8 240*	7 580	6 740*	5 530	5 590*	4 320	4 690*	3 510
	-7.5	7 190*	7 190*	8 930*	8 930*	7 340*	7 340*	6 090*	5 660	5 100*	4 400	4 270*	3 580
	-9	8 850*	8 850*	7 280*	7 280*	6 140*	6 140*	5 180*	5 180*	4 350*	4 350*	3 600*	3 600*
	-10.5					4 540*	4 540*	3 890*	3 890*	3 230*	3 230*	2 480*	2 480*

Conditions	Load point height m	Load radius m								At max. reach		
		12.0		13.5		15.0		16.5			meter	
Boom 10.45 m	13.5	3 000*	3 000*							2 890*	2 890*	12.1
Arm 7.02 m	12	3 180*	3 180*							2 760*	2 760*	13.3
Counterweight	10.5	3 190*	3 190*	3 030*	3 030*					2 700*	2 700*	14.3
8 870 kg	9	3 260*	3 260*	3 060*	3 060*	2 900*	2 620			2 670*	2 550	15.1
Additional counterweight	7.5	3 380*	3 380*	3 130*	3 130*	2 940*	2 590			2 680*	2 310	15.7
1 430 kg	6	3 540*	3 540*	3 230*	3 110	2 990*	2 530			2 730*	2 140	16.2
600 mm grouser shoe	4.5	3 720*	3 670	3 350*	2 990	3 060*	2 460			2 810*	2 020	16.4
	3	3 900*	3 480	3 480*	2 870	3 140*	2 380	2 860*	1 970	2 830*	1 940	16.6
	1.5	4 070*	3 300	3 590*	2 740	3 210*	2 290	2 880*	1 930	2 840*	1 900	16.6
	0 (Ground)	4 200*	3 150	3 670*	2 630	3 250*	2 220	2 870*	1 890	2 860*	1 890	16.5
	-1.5	4 280*	3 030	3 710*	2 550	3 250*	2 170			2 870*	1 910	16.2
	-3	4 280*	2 950	3 690*	2 500	3 180*	2 150			2 890*	1 990	15.8
	-4.5	4 190*	2 920	3 570*	2 480	3 000*	2 160			2 890*	2 110	15.2
	-6	3 960*	2 930	3 320*	2 510					2 870*	2 300	14.5
	-7.5	3 560*	3 000	2 840*	2 600					2 790*	2 590	13.5
	-9	2 850*	2 850*							2 640*	2 640*	12.3
	-10.5									2 310*	2 310*	10.8

## Metric measure

- Notes:
1. Ratings are based on ISO 10567.
  2. Lifting capacity of the ZAXIS series does not exceed 75% of tipping load with the machine on firm, level ground or 87% full hydraulic capacity.
  3. The load point is the center-line of the bucket pivot mounting pin on the arm.
  4. \* Indicates load limited by hydraulic capacity.
  5. 0m = Ground.
- For lifting capacities, subtract bucket and quick hitch weight from lifting capacities.



A: Load radius  
B: Load point height  
C: Lifting capacity

### ZX350LC HE20LD SUPER LONG FRONT

Rating over-front

Rating over-side or 360 degrees

Unit: kg

Conditions	Load point height m	Load radius m												
		3.0		4.5		6.0		7.5		9.0		10.5		
Boom 11.80 m	6.0												3 300*	3 300*
Arm 8.20 m	4.5			9 110*	9 110*	6 500*	6 500*	5 070*	5 070*	4 160*	4 160*	3 540*	3 540*	
Counterweight	3.0			3 790*	3 790*	7 360*	7 360*	5 590*	5 590*	4 500*	4 500*	3 770*	3 770*	
8 870 kg	1.5			2 290*	2 290*	6 580*	6 580*	6 030*	6 030*	4 810*	4 810*	3 990*	3 910	
Additional counterweight	0 (Ground)			2 400*	2 400*	5 140*	5 140*	6 330*	5 590	5 050*	4 450	4 170*	3 630	
1 070 kg	-1.5	1 910*	1 910*	2 940*	2 940*	5 020*	5 020*	6 480*	5 260	5 190*	4 180	4 290*	3 410	
600 mm grouser shoe	-3.0	2 730*	2 730*	3 640*	3 640*	5 420*	5 420*	6 490*	5 090	5 240*	4 010	4 340*	3 260	
	-4.5	3 540*	3 540*	4 430*	4 430*	6 090*	6 090*	6 350*	5 030	5 190*	3 920	4 320*	3 180	
	-6.0	4 380*	4 380*	5 300*	5 300*	6 960*	6 960*	6 090*	2 050	5 020*	3 910	4 210*	3 150	
	-7.5	5 260*	5 260*	6 270*	6 270*	6 920*	6 920*	5 690*	5 140	4 740*	3 960	3 990*	3 180	
	-9.0	6 220*	6 220*	7 370*	7 370*	6 160*	6 160*	5 140*	5 140*	4 330*	4 060	3 660*	3 260	
	-10.5	7 270*	7 270*	6 150*	6 150*	5 190*	5 190*	4 410*	4 410*	3 740*	3 740*	3 160*	3 160*	
	-12.0			4 460*	4 460*	3 950*	3 950*	3 430*	3 430*	2 930*	2 930*	2 430*	2 430*	
	-13.5							2 110*	2 110*	1 770*	1 770*	1 310*	1 310*	

Conditions	Load point height m	Load radius m								At max. reach				
		12.0		13.5		15.0		16.5		18.0				meter
Boom 11.80 m	15.0			1 940*	1 940*							1 540*	1 540*	13.9
Arm 8.20 m	13.5					1 680*	1 680*					1 470*	1 470*	15.2
Counterweight	12.0					2 180*	2 180*					1 430*	1 430*	16.2
8 870 kg	10.5			2 340*	2 340*	2 190*	2 190*	2 020*	2 020*			1 410*	1 410*	17.0
Additional counterweight	9.0			2 410*	2 410*	2 230*	2 230*	2 090*	2 090*			1 410*	1 410*	17.7
1 070 kg	7.5	2 760*	2 760*	2 500*	2 500*	2 290*	2 290*	2 130*	2 130*	1 750*	1 750*	1 420*	1 420*	18.2
600 mm grouser shoe	6.0	2 910*	2 910*	2 610*	2 610*	2 370*	2 370*	2 180*	2 110	2 020*	1 710	1 450*	1 450*	18.6
	4.5	3 080*	3 080*	2 730*	2 730*	2 460*	2 460*	2 230*	2 020	2 050*	1 650	1 510*	1 470	18.9
	3.0	3 250*	3 250*	2 850*	2 820	2 540*	2 320	2 290*	1 930	2 090*	1 600	1 570*	1 400	19.0
	1.5	3 410*	3 200	2 970*	2 650	2 620*	2 210	2 340*	1 840	2 120*	1 540	1 660*	1 360	19.0
	0 (Ground)	3 540*	3 000	3 060*	2 500	2 690*	2 100	2 390*	1 760	2 130*	1 490	1 780*	1 340	18.9
	-1.5	3 630*	2 830	3 130*	2 370	2 730*	2 000	2 410*	1 700	2 120*	1 450	1 920*	1 350	18.7
	-3.0	3 680*	2 710	3 160*	2 280	2 750*	1 940	2 390*	1 650	2 080*	1 430	2 010*	1 390	18.3
	-4.5	3 660*	2 640	3 140*	2 220	2 710*	1 900	2 340*	1 640			2 020*	1 450	17.8
	-6.0	3 570*	2 610	3 050*	2 210	2 620*	1 890	2 210*	1 650			2 020*	1 560	17.2
	-7.5	3 390*	2 630	2 880*	2 230	2 430*	1 920					2 000*	1 710	16.4
	-9.0	3 090*	2 700	2 590*	2 290	2 100*	2 000					1 960*	1 940	15.4
	-10.5	2 630*	2 630*	2 120*	2 120*							1 860*	1 860*	14.2
	-12.0	1 920*	1 920*									1 660*	1 660*	12.7
	-13.5											1 220*	1 220*	10.7

### ZX350LCN HE20LD SUPER LONG FRONT

Rating over-front

Rating over-side or 360 degrees

Unit: kg

Conditions	Load point height m	Load radius m												
		3.0		4.5		6.0		7.5		9.0		10.5		
Boom 11.80 m	6.0												3 300*	3 300*
Arm 8.20 m	4.5			9 110*	9 110*	6 500*	6 500*	5 070*	5 070*	4 160*	4 160*	3 540*	3 540*	
Counterweight	3.0			3 790*	3 790*	7 360*	7 360*	5 590*	5 590*	4 500*	4 500*	3 770*	3 770*	
8 870 kg	1.5			2 290*	2 290*	6 580*	6 580*	6 030*	5 560	4 810*	4 410	3 990*	3 560	
Additional counterweight	0 (Ground)			2 400*	2 400*	5 140*	5 140*	6 330*	5 050	5 050*	4 030	4 170*	3 290	
1 070 kg	-1.5	1 910*	1 910*	2 940*	2 940*	5 020*	5 020*	6 480*	4 730	5 190*	3 760	4 290*	3 070	
600 mm grouser shoe	-3.0	2 730*	2 730*	3 640*	3 640*	5 420*	5 420*	6 490*	4 560	5 240*	3 600	4 340*	2 930	
	-4.5	3 540*	3 540*	4 430*	4 430*	6 090*	6 090*	6 350*	4 500	5 190*	3 510	4 320*	2 840	
	-6.0	4 380*	4 380*	5 300*	5 300*	6 960*	6 270	6 090*	4 530	5 020*	3 500	4 210*	2 820	
	-7.5	5 260*	5 260*	6 270*	6 270*	6 930*	6 430	5 690*	4 620	4 740*	3 550	4 000*	2 840	
	-9.0	6 220*	6 220*	7 370*	7 370*	6 160*	6 160*	5 140*	4 770	4 330*	3 650	3 660*	2 920	
	-10.5	7 270*	7 270*	6 150*	6 150*	5 190*	5 190*	4 410*	4 410*	3 740*	3 740*	3 160*	3 060	
	-12.0			4 460*	4 460*	3 950*	3 950*	3 430*	3 430*	2 930*	2 930*	2 440*	2 440*	
	-13.5							2 110*	2 110*	1 770*	1 770*	1 310*	1 310*	

Conditions	Load point height m	Load radius m								At max. reach				
		12.0		13.5		15.0		16.5		18.0				meter
Boom 11.80 m	15.0			1 940*	1 940*							1 540*	1 540*	13.9
Arm 8.20 m	13.5					1 680*	1 680*					1 470*	1 470*	15.2
Counterweight	12.0					2 180*	2 180*					1 430*	1 430*	16.2
8 870 kg	10.5			2 350*	2 350*	2 190*	2 190*	2 020*	2 020*			1 410*	1 410*	17.0
Additional counterweight	9.0			2 410*	2 410*	2 230*	2 230*	2 090*	2 040			1 410*	1 410*	17.7
1 070 kg	7.5	2 760*	2 760*	2 500*	2 500*	2 290*	2 290*	2 130*	1 980	1 750*	1 570	1 420*	1 420*	18.2
600 mm grouser shoe	6.0	2 910*	2 910*	2 610*	2 610*	2 370*	2 360	2 180*	1 910	2 020*	1 530	1 450*	1 390	18.6
	4.5	3 080*	3 080*	2 730*	2 730*	2 460*	2 240	2 230*	1 830	2 050*	1 480	1 510*	1 300	18.9
	3.0	3 250*	3 150	2 850*	2 570	2 540*	2 110	2 290*	1 740	2 090*	1 420	1 580*	1 240	19.0
	1.5	3 400*	2 910	2 970*	2 400	2 620*	1 990	2 350*	1 650	2 120*	1 360	1 660*	1 200	19.0
	0 (Ground)	3 530*	2 710	3 060*	2 250	2 690*	1 880	2 400*	1 570	2 130*	1 310	1 780*	1 180	18.9
	-1.5	3 630*	2 550	3 130*	2 130	2 740*	1 790	2 410*	1 510	2 120*	1 270	1 920*	1 190	18.7
	-3.0	3 680*	2 430	3 160*	2 040	2 750*	1 720	2 400*	1 460	2 080*	1 250	2 010*	1 220	18.3
	-4.5	3 660*	2 360	3 140*	1 980	2 710*	1 680	2 340*	1 440			2 020*	1 280	17.8
	-6.0	3 570*	2 330	3 050*	1 960	2 620*	1 680	2 210*	1 450			2 020*	1 380	17.2
	-7.5	3 390*	2 350	2 880*	1 980	2 340*	1 710					2 000*	1 520	16.4
	-9.0	3 090*	2 420	2 590*	2 050	2 100*	1 790					1 960*	1 730	15.4
	-10.5	2 640*	2 540	2 120*	2 120*							1 860*	1 860*	14.2
	-12.0	1 920*	1 920*									1 660*	1 660*	12.7
	-13.5											1 220*	1 220*	10.7

# EQUIPMENT

## ZX350LC / ZX350LCN TYPE HE15LD, HE18LD & HE20LD

● ..... Standard equipment    ○ ..... Optional equipment

### ENGINE

Atertreatment device	●
Air cleaner double filters	●
Alternator 50 A	●
Auto idle system	●
Auto shut-down control	●
Cartridge-type engine oil filter	●
Cartridge-type fuel main filter	●
Cold fuel resistance valve	●
DEF/AdBlue® tank inlet strainer and extension filter	●
DEF/AdBlue® tank with ISO magnet adapter	●
DEF/AdBlue® tank with evacuator valve (with air filter restriction indicator)	●
Dust-proof indoor net	●
ECO/PWR mode control	●
Electrical fuel feed pump	●
Engine oil drain coupler	●
Expansion tank	●
Fan guard	●
Fuel cooler	●
Fuel pre-filter with water separator	●
Isolation-mounted engine	●
Maintenance free pre cleaner	○
Radiator, oil cooler and intercooler	●

### HYDRAULIC SYSTEM

Auto power lift	●
Control valve with main relief valve	●
Full-flow filter	●
High mesh full flow filter with restriction indicator	○
Hose rupture valve for arm	●
Hose rupture valve for boom	●
Pilot filter	●
Power boost	●
Suction filter	●
Swing dampener valve	●
Two extra port for control valve	●
Variable hydraulic fan for oil cooler	●
Work mode selector	●

### CAB

All-weather sound suppressed steel cab	●
AM-FM radio	●
Ashtray	●
Auto control air conditioner	●
AUX function lever (Assist)	○
AUX terminal and storage	●
Cigarette lighter 24 V	●
CRES V (Center pillar reinforced structure) cab	●
Drink holder with hot & cool function	●
Electric double horn	●
Engine shut-off switch	●
Equipped with reinforced, tinted (green color) glass windows	●
Evacuation hammer	●
Fire extinguisher bracket	○
Floor mat	●
Footrest	●
Front window washer	●
Glove compartment	●
Hot & cool box	●
Intermittent windshield wipers	●
Key cylinder light	●
Laminated round glass window	○
LED room light with door courtesy	●
OPG front guard Level II (ISO10262) compliant cab	○
OPG top guard level I (ISO10262) compliant cab	●
OPG top guard level II (ISO10262) compliant cab	○
Pilot control shut-off lever	●
Power outlet 12 V	○
Rain guard	○
Rear tray	●
Retractable seat belt	●
ROPS (ISO12117-2) compliant cab	●
Rubber radio antenna	●
Seat: air suspension seat with heater	●
Seat adjustment part: backrest, armrest, height and angle, slide forward/back	●
Short wrist control levers	●
Sun visor (front window/side window)	○
Transparent roof with slide curtain	●
Windows on front, upper, lower and left can be opened	●
2 speakers	●
4 fluid-filled elastic mounts	●

### MONITOR SYSTEM

Alarms: overheat, engine warming, engine oil pressure, alternator, minimum fuel level, hydraulic filter restriction, air filter restriction, work mode, overload, SCR system trouble, etc.	●
Alarm buzzers: overheat, engine oil pressure, overload, SCR system trouble	●
Display of meters: water temperature, hour, fuel rate, clock, DEF/AdBlue® rate	●
Other displays: work mode, auto-idle, glow, rearview monitor, operating conditions, etc	●
32 languages selection	●

### LIGHTS

Additional cab roof front lights	○
Additional cab roof rear lights	○
Additional boom light with cover	○
Rotating lamp	○
2 working lights	●

### UPPER STRUCTURE

Batteries 2 x 135 Ah	●
Battery disconnect switch	●
Body top handrail	●
Counterweight 8 870 kg	●
Additional counterweight 1 430 kg	○
Additional counterweight 1 070 kg	○
Electric fuel refilling pump with auto stop and filter	●
Fuel level float	●
Hydraulic oil level gauge	●
Lockable fuel refilling cap	●
Lockable machine covers	●
Lockable tool box	●
Platform handrail	●
Rear view camera	●
Rear view mirror (right & left side)	●
Skid-resistant plates and handrails	●
Swing parking brake	●
Undercover	●
Utility space	●

### UNDERCARRIAGE

Bolt-on sprocket	●
Reinforced track links with pin seals	●
Shoe 600 mm triple grouser	●
Shoe 700 mm triple grouser	○
Shoe 800 mm triple grouser	○
Track undercover	○
Travel direction mark on track frame	●
Travel motor covers	●
Travel parking brake	●
Upper and lower rollers	●
3 track guards (each side) and hydraulic track adjuster	●
4 tie down hooks	●

### FRONT ATTACHMENTS

Casted bucket link A	●
Centralized lubrication system	●
Dirt seal on all bucket pins	●
Flanged pin	●
HN bushing	●
Reinforced resin thrust plate	●
WC (tungsten-carbide) thermal spraying	●
Welded bucket link A	○

### ATTACHMENTS

Additional pump (30 L/min)	○
Assist piping	○
Attachment basic piping	●
Pilot accumulator	○

### MISCELLANEOUS

Global e-Service	●
Onboard information controller	●
Standard tool kit	●
Theft prevention system*	○

Standard and optional equipment may vary by country, so please consult your Hitachi dealer for details.

\* Hitachi Construction Machinery cannot be held liable for theft, any system will just minimize the risk of theft.





**Built on the foundation of superb technological capabilities, Hitachi Construction Machinery is committed to providing leading-edge solutions and services to contribute as a reliable partner to the business of customers worldwide.**




---

## Hitachi Environmental Vision 2025

---

The Hitachi Group released the Environmental Vision 2025 to curb annual carbon dioxide emissions. The Group is committed to global production while reducing environmental impact in life cycles of all products, and realizing a sustainable society by tackling three goals — prevention of global warming, recycling of resources, and enhancement of ecosystem.

### Reducing Environmental Impact by New ZAXIS

Hitachi makes a green way to cut carbon emissions for global warming prevention according to LCA\*. New ZAXIS utilizes lots of technological advances, including the new ECO mode, and Isochronous Control. Hitachi has long been committed to recycling of components, such as aluminum parts in radiators and oil cooler. Resin parts are marked for recycling.

\*Life Cycle Assessment – ISO 14040

Prior to operating this machine, including satellite communication system, in a country other than a country of its intended use, it may be necessary to make modifications to it so that it complies with the local regulatory standards (including safety standards) and legal requirements of that particular country. Please do not export or operate this machine outside the country of its intended use until such compliance has been confirmed. Please contact your Hitachi dealer in case of questions about compliance. These specifications are subject to change without notice.

Illustrations and photos show the standard models, and may or may not include optional equipment, accessories, customer installed and modified parts, optional parts and all standard equipment with some differences in color and features. Before use, read and understand the Operator's Manual for proper operation.



KA-EN240EU