

Facts & specifications

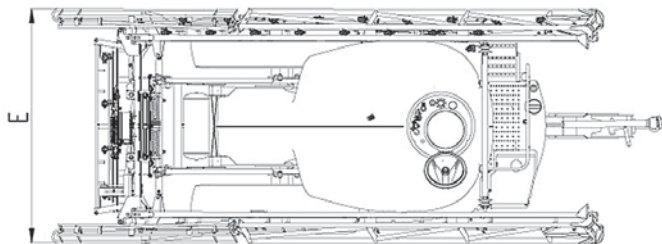
700/700i specifications	724/724i	732/732i	740/740i
Nominal tank volume (l)	2400	3200	4000
Real tank volume (l)	2520	3360	4200
Rinse tank (l)	400	400	400
Hand wash tank (l)	20	20	20
Pump capacity (l/min)	280	280	280
Boom height range (cm)*	50 – 230	50 – 230	50 – 230

* Depending on tyres fitted and boom adjustment

Weights*

	724i/724	732i/732	740i/740
Total weight empty (kg)	3310	3340	3380
Total weight full (kg)	6130	6960	7800

* All weights are approximate with base equipment and 24 m boom



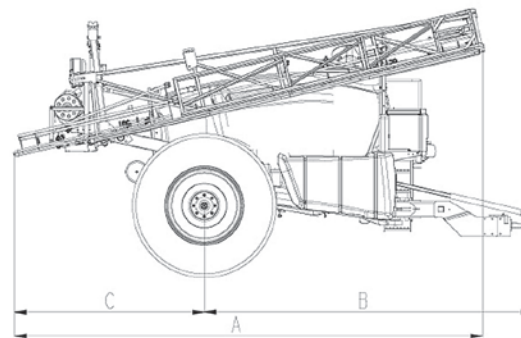
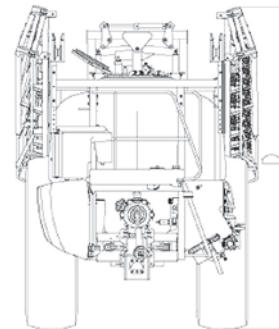
Measurements (cm)

Base sprayer	Spray boom	A	B	C	D	E
724/732/740	18/12 m	555	420	198	324	255
724/732/740	20/12 m	555	420	198	324	255
724/732/740	21/12 m	555	420	198	324	255
724/732/740	24/12 m	601	420	246	324	255
724/732/740	28/14 m	696	420	246	350	255
724/732/740	24/18 m	456	420	198	317	300
724/732/740	27/18 m	456	420	198	317	300
724/732/740	27/21 m	550	420	292	317	300
724/732/740	28/20 m	501	420	243	317	300

*All measurements are approximate with tyres 520/70R38. Overall machine height depends on boom adjustment.

Control box

Boom functions	EL-4 w/SCV	EL-4 w/EHS-1	EL-4 w/EHB-1	EL-4 w/EHB-2
Hydraulic boom folding, height adjustment and boom tilt	1 SA + 2 DA	N/A	N/A	N/A
Hydraulic boom folding, height adjustment, boom tilt and folding boom tips	N/A	1 DA + free return	N/A	N/A
Electro-hydraulic boom folding, height adjustment, boom tilt and folding tips	N/A	N/A	1 DA + free return	1 DA + free return
Electro-hydraulic boom folding, height adjustment, boom tilt and independent folding tips left/right	N/A	N/A	1 DA + free return	1 DA + free return
Electro-hydraulic boom folding, height adjustment, boom tilt, independent folding tips left/right and variable geometry	N/A	N/A	1 DA + free return	1 DA + free return



Spray boom widths

Spray boom	No. of section	Sections widths (m)
Double fold booms		
18/12 m	6	3-3-3-3-3-3
20/12 m	5	4-4-4-4-4
21/12 m	7	3-3-3-3-3-3-3
24/12 m	4	6-6-6-6
24/12 m	6	4-4-4-4-4-4
24/12 m	8	3-3-3-3-3-3-3-3
27/14 m	6	4.5-4.5-4.5-4.5-4.5-4.5
28/14 m	4	7-7-7-7
28/14 m	7	4-4-4-4-4-4-4
28/14 m	8	4-3-4-3-4-3-4-3-4
Triple fold booms		
24/18 m	8	3-3-3-3-3-3-3-3
27/18 m	7	4.5-4.5-3-3-3-4.5-4.5
27/21 m	9	3-3-3-3-3-3-3-3-3
28/20 m	7	4-4-4-4-4-4-4

*All booms are available either with or without ringline circulation