

# JUST CHOP IT!



8000 Series







## WELCOME TO A NEW WORLD

Choose John Deere and you invest in more than a world-beating machine. You join a team. A team that provides world class service and support to keep you chopping non-stop. But that's not all. Something extra comes as standard: John Deere's unrivalled reputation.

One company. One name. Ever since 1837.

We have invested more in research and development for this new generation of forage harvester than ever before. We have listened to you at every stage. Evolving and fine-tuning to ensure we support your business growth.

Welcome to the new 8000 Series. Welcome to a new world.







**THE ALL-NEW 8000 SERIES**

GET MORE ..... 6-11

**GIVE YOUR CUSTOMERS MORE**

Length of cut, kernel processing, constituent measurement, additive dosing..... 12-29

**GIVE YOUR OPERATORS MORE**

Comfort, cab, guidance, traction and maintenance ..... 30-51

**GIVE YOUR BUSINESS MORE**

Engine efficiency, fuel economy, dealer and parts support, John Deere FarmSight ..... 54-73







## CREATED BY ONE HAND. BUILT BY ONE COMPANY.

John Deere is the only agricultural equipment manufacturer to design and build its own engines, drivetrains, hydraulics, cooling systems, electronics and telematics.

The result? A fully integrated machine with every component designed to work together as efficiently as possible. A guaranteed parts supply for the future. And a professionally trained dealer support network familiar with every detail. It's why the new 8000 Series gives you more than any other forage harvester.







## THE ALL-NEW 8000 SERIES. GET MORE.

Our customers gave us a clear brief for the new 8000 Series. World beating performance in six key areas: power efficiency, forage quality, comfort, reliability, traction and cost efficiency. It was a huge challenge. But we believe we've delivered. Now, to give you even more we've added three new models to complete the 8000 Series line-up and a whole range of innovations.







JOHN DEERE

8600i





# GET MORE

## MORE RELIABILITY

**Made for more power.** The new 8000 Series is engineered for the power demands of the future. It's been completely designed from top to bottom so you can be guaranteed no components are over-stretched.

**Made for quality.** The new 8000 series is made without compromise. High quality gearboxes and FAG bearings set new standards for efficiency and durability.

**Made for all conditions.** From the high altitude, arid plains of Arizona to the soft, wet fields of northern Europe, our durability test programme covered all crops in all conditions.



## MORE POWER EFFICIENCY

**Made with an intelligent engine layout.** The longitudinal position of the engine delivers outstanding rear visibility and smart cooling for better airflow and efficiency.

**Made for a dynamic crop flow.** The new feedroll dampening system and header drive minimise intake losses and allow our low resistance ProStream cropflow to take throughput per hp to a new dimension.

**Made for less weight.** It's the easiest way to gain efficiency. Smart design, high strength steel and the use of aluminium allowed us to optimise the overall weight.



## MORE COMFORT

**Made for the operator.** Designed by you and built by us it includes everything you asked for. You'll enjoy panoramic views, plenty of space and intuitive controls and displays.

**Made for less maintenance time.** Easy servicing, less daily maintenance points, excellent access to all areas and an integrated toolbox compartment with cleaning facilities make it easier to keep you and your forager in perfect shape.

**Made for more extras.** Our operator package includes our new 8000 Series driver's collection, training and a toolbox. Make the machine fit you needs even better with the optional i-, Profi- or Longlife - packages.







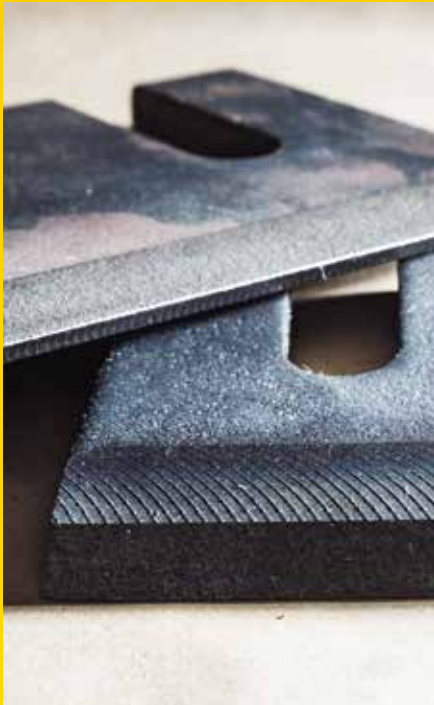
## GET MORE

### MORE GRIP

**Made for the toughest soil conditions.** We've upgraded the 8000 Series tyres to a maximum diameter of 2.15 m. Add to this tyre pressure as low as 1 bar and a reduced overall weight and you have a simple and efficient formula that gives you more traction and less compaction.

**Made for a compact design.** With a minimum transport width of 3 m and even weight distribution, the 8000 Series is highly manoeuvrable on the road and in the field.

**Made for ProDrive.** The most outstanding automatic transmission on the market, ProDrive has been further improved for the next generation. More torque on each axle gives you the best traction in all conditions.



### MORE COST EFFICIENCY

**Made for low wear part costs.** Go several seasons without exchanging any wear components thanks to our ultra hard wearing DuraLine Plus crop flow components and our new generation of long lasting shearbars and DuraLine Plus grass and maize knives.

**Made for an unbeaten fuel economy.** Our new driveline concept perfectly complements our unique engine speed management system. Tests by Profi magazine and feedback from customers has already proven this reduces fuel consumption by almost 20% when harvesting.

**Made for predictable maintenance costs.** PowerGard service packages give you the peace of mind of fixed service and repair costs for accurate budgeting of running expenses.



### MORE FORAGE QUALITY

**Made for more precision.** Our DuraDrum cutterhead not only gives you the best forage quality and a very wide choice of cut lengths. Now we've made it even better with our ProStream crop flow design and reduced adjustments for lower wear.

**Made for revolutionary kernel processing.** Choose your option for more starch release. All kernel processors in our new 8000 Series have wider diameter rolls and KernelStar2 even offers up to 50% more surface area for aggressive tearing action and excellent starch release.

**Made for intelligent forage management.** John Deere HarvestLab measures both moisture and constituent content in real-time for accurate analysis of silage quality. Add to this our automatic dosing system and you can actively manage your feedstock better.











# GIVE YOUR CUSTOMERS MORE

The quality of a farmer's feedstock is critical to his business. Better quality silage means lower winter concentrate costs. Reliable constituent measurement means more accurate planning and management of feedstocks. Only the new 8000 Series gives your customers more.

---

**“** *With accurate information on the nutrient value of my silage I can plan my feedstock with greater confidence.* **”**



## TAKING THE BEST. CHANGING THE REST.

We kept what you told us was great about our previous generation forage harvesters and we changed the rest. The DuraDrum cutterhead was already renowned for producing the best quality forage. Now it's even better. When you add our infinitely variable length of cut and patented KernelStar processing technology you can cut any combination of high quality forage to satisfy even the most demanding farmers and biogas operators.

### Wide range of cut lengths

From 3–33 mm depending on model and knife configuration. So you can give your customers the flexibility they demand.

### Less power consumption

Set the length of cut to exactly what you want and burn less fuel with every single cut.

### Extra fast sharpening

The drum stops in just 5 seconds and automatically kicks off the reverse grinding process if required. It means it only takes a moment to keep your knives razor sharp for a longer life and more efficient cutting.

### Adjustment-free

The combination of the new shearbar adjustment and revised knife design uses the full width of the tungsten coating without having to readjust the knives.

### DuraLine Plus shearbar

The new DuraLine Plus shearbar has a proven wear life that is up to 4x longer than previous shearbars. Its outstanding durability is ideal for use in both grass and maize, saving you turnaround time when switching between crops.

### DuraLine Plus knives

We've increased the length of the tungsten carbide coating (+ 33 % for grass and + 43 % for maize) so knives last longer and running costs are lower.

### Better cropflow protection

The combination of the new knife system and foreign material detection system provides improved protection of cropflow components and minimises unplanned stoppages.



DuraLine Plus Shearbar



DuraLine Plus knives last much longer than regular knives







# ONE CUTTERHEAD. ALL CROPS.

Our new universal cutterhead is designed to perform equally well for the very different requirements of both biogas producers and livestock farmers. It gives you the flexibility to meet the demands of all your customers without having to compromise forage quality. Depending on your specific requirements, you can also choose from either 40, 48, 56 or even 64 knife configurations.

## Smooth cropflow

Using advanced high speed video cameras we were able to understand and refine the cropflow in ways that were simply not possible a few years ago. The larger diameter 680 mm drum creates a faster cropflow which makes a big difference when the harvester is working at extra short cut lengths. The net result is higher throughput for lower power consumption.

## High efficiency cutting

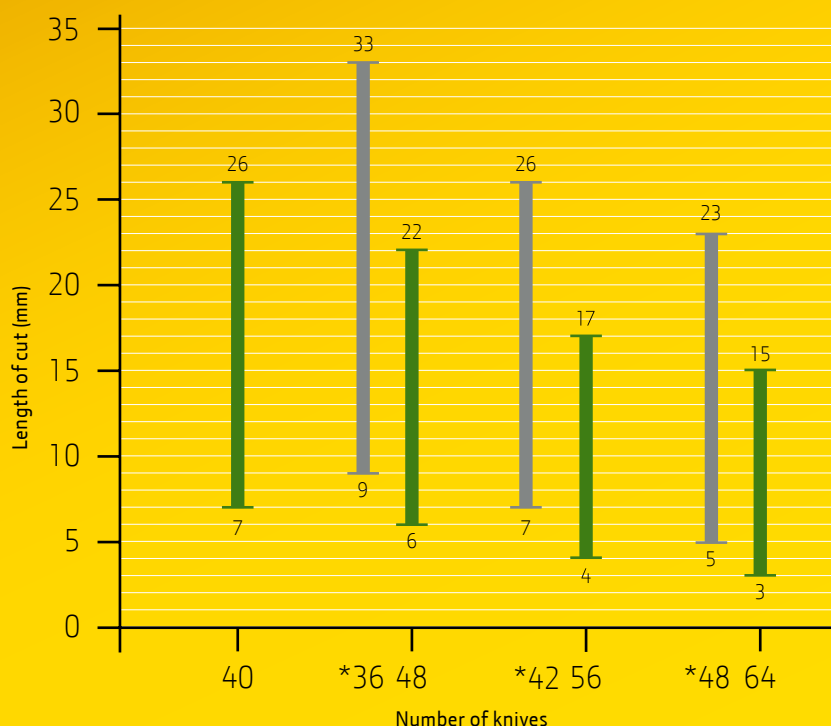
The combination of a new knife holder design and longer knives, with a 20 mm tungsten carbide coating, means you can keep chopping without any loss in performance as the knives wear. What's more, with our new smart shearbar system there's no need to make any adjustments. Now it's never been easier to cut high quality silage all season long.

## Lower fuel consumption

The newly designed knife holders help create a more uniform and focused crop stream. They also optimise the point of exit for the crop, helping to reduce the overall power demand of the crop flow by up to 20 kW. When you're chopping non stop, day after day, that adds up to significant fuel savings. On top of that, they can carry up to 35% more crop.

## Maximise your biogas and livestock potential

The John Deere cutterhead design gives you more chopping flexibility than any other manufacturer as you can also use the 40, 48, 56 and 64 knife cutterheads with 1/2 or 3/4 knife configurations for even longer lengths of cut. Totally unique to John Deere it means you can meet the needs of biogas and livestock farmers with a single cutterhead.



## More flexibility in corn

The unique DuraDrum cutterhead design (half set of knives also possible in grass) offers the widest length of cut range in the industry

— full set of knives  
— \*3/4 set of knives

Maximum Length-Of-Cut is limited to 26mm with a Kernel Processor







## IMPROVED KERNEL PROCESSOR. BETTER ALL ROUND.

Our traditional roller kernel processors have a well proven reputation with hundreds of thousands of hours of field testing. For the 8000 Series we've completely redesigned the entire processor for even more reliable performance and better kernel cracking.

### **Improved reliability**

Stronger springs and an improved labyrinth sealing system for the drive bearings significantly extends the long-term reliability, even in challenging conditions. We use heavy duty, German-made FAG bearings throughout the crop flow channel to ensure maximum performance.

### **Better adjustment**

An independent drive for the adjustment mechanism takes the load off the adjusters for better long-term reliability. By using only one motor instead of two, it gives you the added advantage of precise adjustment all season long.

### **Fast crop to crop changeover**

The kernel processor can be parked in just 5 minutes or quickly removed for rapid changeover during overlapping harvest seasons. The 'swing out, swing in' design lets you lift out the kernel processor and replace it with the grass chute with ease. And, when the season is over, you can use the integrated crane to lift it out of the machine for servicing without any additional support or tools.





---

**Higher throughput**

All processors now have 240 mm diameter rolls for more productive processing and lower wear. This increases the efficiency of chopping between 3-26 mm.





# KERNELSTAR2. PROCESSING REDEFINED.

Our revolutionary KernelStar multi-crop processor has set a new standard for kernel processing. Now meet its successor: KernelStar2. Its patented design has two key advantages over straight-edged or cylindrical roller kernel processors.

The bevelled discs produce a more aggressive tearing action which smashes every kernel for maximum starch release and higher nutrient value. And it has a higher throughput so you can cut faster, even in heavy, tall maize. Building on our field experience over the past years, the processor has been completely redesigned for the 8000 Series.

KernelStar2 has the same new adjustment mechanism and stronger springs as the roller processors with the added benefit of up to 50% more disc surface area.



## **Releases more energy**

With 270% more surface area than a standard kernel processor, the KernelStar2's bevelled discs completely smash kernels for maximum starch release and higher silage nutrient value. This not only improves milk yields but boosts the efficiency of biogas production.



## **Higher quality forage**

KernelStar2 produces excellent fibrous, longer length silage whilst still smashing kernels. Long or short length of cut products are easily achieved with no changes to the machine giving you ultimate flexibility.







# ACCURATE CROP ANALYSIS. BETTER FEEDSTOCK MANAGEMENT.

Mounted on the crop spout, HarvestLab measures both moisture and crop constituents in real-time. The most popular system in the industry, it was developed and patented with Carl Zeiss and uses Near Infrared technology to measure harvested crop 17 times every second. Independently certified by the DLG (Deutsche Landwirtschafts-Gesellschaft) to an accuracy of  $\pm 0.78\%$  for dry matter content, HarvestLab takes the guesswork out of producing high quality silage. When you add to this our real-time constituent measurement, it also has the power to transform the way your customers manage their feedstocks and plan their future choice of crop varieties.

## No set-up

HarvestLab is pre-calibrated and the new mounting bracket requires no adjustment. So you'll enjoy accurate readings all season.

## Works in any crop

Provides accurate constituent data in alfalfa, barley, corn earlage, grass, maize, wheat and whole crop.

## Better silage quality

By linking the HarvestLab measurements to the cutterhead control system, the optimum cut length, based on the moisture reading, is automatically set.

## More efficient silage packing

Tests have shown that silage packing is improved by up to 25% with the correct length of cut. This reduces air pockets for better anaerobic digestion and higher silage quality.

## Better feedstock management

Customers can now calculate the composition of their clamp for better planning of feed rationing and identify any requirements for supplementary additives.







| Crop              | Material                      | Moisture | ADF* | NDF** | Starch | Protein | Sugar |
|-------------------|-------------------------------|----------|------|-------|--------|---------|-------|
| Corn Silage       | Freshly harvested and ensiled | X        | X    | X     | X      | X       |       |
| Alfafa            |                               | X        | X    | X     |        | X       | X     |
| Snaplage          |                               | X        | X    | X     | X      |         | X     |
| Whole Crop Silage |                               | X        | X    | X     | X      | X       |       |
| Grass             |                               | X        | X    | X     |        | X       | X     |

\*ADF = Acid Detergent Fibre  
 \*\*NDF = Neutral Density Fibre



## INTEGRATED CROP DOSING. INCREASED NUTRIENT VALUE.

Another unique added value feature of the 8000 Series is the fully integrated Advanced Dosing System, ADS Twin Line. Featuring two separate tanks, a 30 litre concentrate tank positioned alongside the cab for easy access and a second, 360 litre tank located under the shielding at the rear of the machine, ADS Twin Line is a highly versatile feedstock management tool.

The liquid dosing nozzles are located in the spout for easy access and you can choose either fixed or variable dosing rates based on moisture or constituent readings from HarvestLab. Twin tanks also allow two different inoculants to be added together, or at different

times. So, for instance, when chopping grass, acid could be added from one tank to a wet area of grass to prevent mould growth and then, in a dry area, a microbial inoculant could be added to support fermentation.



Easy to read display



30 l concentrate tank



360 l rear tank













**“** *I am impressed by the new 8000 Series after having worked with it in grass. The possibilities this new machine offers, especially in regard of forage quality, are unique. All the requirements we – as a group of nutritionists – were discussing with John Deere for a new and modern additive dosing system and an improved forage quality have been taken into account.* **”**

**Heinz-Günter Gerighausen**

NUTRITIONIST









## OPTIMUM CUT. MORE ENERGY.

The 8000 Series doesn't just produce the optimum short cut length silage required for biogas production. It also helps customers manage their operations with greater certainty. The combination of HarvestLab and our fully integrated dosing system gives biogas producers the information they need to maximise gas production.

### **Extremely short chop length**

The DuraDrum cutterhead cuts as short as 3 mm, giving you the maximum flexibility for biogas production.

### **Excellent crop packaging**

Even cut lengths ensure excellent compaction for better anaerobic fermentation and higher gas yields.

### **Every kernel smashed**

Our new KernelStar2 processor delivers superior kernel processing for more efficient fermentation of maize and other whole crops.

### **Better production management**

HarvestLab moisture and constituent measurement gives customers the information they need for better biogas production.

### **Multi-crop versatility**

Just change the knives or cutterhead configuration on the DuraDrum cutterhead and you can harvest different crops with the same machine.

### **Accurate fermentation control**

The integrated Advanced Dosing System lets you add fermentation inhibitors or accelerants based on the HarvestLab readings to ensure optimum fermentation.

### **Clean silage**

All our headers have excellent ground following qualities which avoids soil contamination for more effective fermentation.









# GIVE YOUR OPERATORS MORE

Everybody wants to drive a breathtaking forager: Design. Styling. And technology. All are important in attracting the best operators.

A motivated operator means more acres cut in a day. An operator in control means more efficient cutting. Only the new 8000 Series gives your operators more.

---

**“** *The cab is a place I enjoy working in and the controls and systems help me do the best possible job I can.* **”**





## DESIGNED BY YOU. ADMIRER BY EVERYONE.

Beautiful ... Dynamic ... Powerful ...

When people see the new 8000 Series for the first time it brings on different emotions. Some break into a big smile. Others find their heart beating faster. What will it drive like? How will it cut?





**The temptation to climb up into the cab and find the answer to these questions is overwhelming. It's designed to be driven.**

From the very first concept, we shared everything with you, our customers. What did they like? What would they change? We revised our concepts and then we shared them again. And again. And again. For more than 5 years we refined our designs. We tested different concepts back to back with the competition. For us, design was more than sleek lines and purposeful looks.

It was about the whole experience of owning, driving and maintaining the 8000 Series. We checked every last detail. How easy was it to get the kernel processor in and out? Could it perform well in difficult crops? Was it easy to service and maintain? What did operators think?

**It's why driving and owning the new 8000 Series is a completely new experience. It's better by design.**



*The design of the 8000 Series mirrors the innovative technology and functionality of John Deere. The power, dynamic, ruggedness and precision of the machine become tangible and intense.*

**Prof. Matthias Schönherr**  
DESIGNER









## PREMIUM WORKSPACE. USER-FRIENDLY ENVIRONMENT.

Quiet. Well equipped. Relaxing.

We've considered every last detail. The clear displays keep you informed, a refrigerator keeps your food and drink cool and Bluetooth connectivity keeps you in touch. We think you'll find the 8000 Series cab is worth staying inside for several extra hectares every day.



### **Excellent all-round visibility**

The longitudinal engine and high cab height give the operator close to an uninterrupted 360° panoramic view. This makes it easier for accurate trailer filling and safety when manoeuvring.





#### **Anti-glare screen**

The front screen has been designed to minimise reflections, giving you clear visibility of the crop and header at night and in rainy conditions.

#### **Bluetooth connectivity**

Connect your devices to the harvester's audio system for hands-free calling or music playback.

#### **Handy storage**

There are plenty of areas to store all your personal and work items.

#### **Automatic air conditioning**

Adjustable from the CommandARM, you set your ideal temperature.

#### **Better visibility**

Slim cornerposts minimise any obstructions and taller glass side panels give better visibility for safer and more accurate trailer loading.

#### **Excellent back protection**

The air suspension seat cushions your back from jolts and vibrations on uneven surfaces.

#### **Ergonomic control console**

Programmable keys for repeatable tasks. All the main switches and controls are conveniently placed on the CommandARM which moves with the seat.

#### **Optimum driving position**

The seat is placed in the centre of the cab and the steering column pivots in two places so you can get the optimum driving position.

#### **Instructor seat**

Conveniently placed for operator training, the seat folds up to create a work space.

#### **Central information display**

The CommandCenter has all the main machine operating information including ground speed, engine rpm, length of cut, etc.

#### **Chilled food & drink**

The large, refrigerated compartment is essential for long, hot days in the cab.

#### **One-handed control**

All the key controls, ground speed, header folding and lifting, spout turning and lifting, feedrolls and cutterhead engagement can be controlled from the multi-function lever.

#### **Plenty of power**

A series of 12 V sockets let you charge all your phones, tablets and other electrical items







# DESIGNED FOR COMFORT. BUILT FOR WORK.

Hour after hour. Day after day.

Operating a harvester is hard work. That's why comfort was a priority for the design team. We consulted operators at every stage of the machine's development to see what features would make their job easier. Apart from designing a premium cab that felt more like a mobile office, we looked at every task throughout the working day. From early morning set up to road transport, harvesting and end of day maintenance, the 8000 Series takes operator comfort to a new level.

## On-board cleaning facilities

The integrated water tank and high pressure air line make it easy to clean up after a job, especially if removing dust from the radiator screen or cleaning the cab.

## On-board tools

All the important tools for everyday maintenance and repair are included as standard.

## Fast access

With quick access to the cutterhead and knives, routine checks and maintenance can be done in a few minutes.

## High driving position

Large tyres and anti-glare front screen give you a high driving position that lets you see over the top of maize – a real benefit when you're cutting all day long.

## All-weather visibility

High glass panels and wipers to the front, rear and sides ensure great all-weather visibility. And if it gets sunny, simply pull down one of the sunblinds.

## Excellent rear vision

Electrically adjustable rear view mirrors and a low engine position give you excellent rear vision. On board video cameras, viewable with the GreenStar display, are also available.

## Minimum maintenance

Automatic greasing, sealed for life drives and bearings, and an efficient crop flow all help to minimise routine maintenance. You can even specify an oil and greasing system which allows you to lubricate the pick-up from the cab, saving even more time.

## Hands-free control

AutoTrac RowSense and RowTrak II are tried and tested guidance systems that cut the stress of high speed harvesting.

## Easy to read displays

All the in-cab displays have text and graphics designed for easy reading, so you can check all the key indicators at a glance.

## Exclusive operator package

Operator training is included for up to two operators in the first year of ownership. Every machine also comes with a range of 8000 Series clothing, workwear and a coffee mug.



Merchandising and clothing



Fast access for maintenance



Onboard high pressure cleaning hose

# BIGGER TYRES. BETTER CONTROL.

The 8000 Series gives you more tyre options to suit your needs than ever before. You'll enjoy the best ground clearance on the market, transport width of no more than 3 m and the lowest possible ground pressure.

## More traction

We've increased overall tyre diameter by almost 10% on our previous SPFH generation. Larger tyres mean a larger surface area and with tyre diameters now available up to 2.15 m, this increases the amount of tyre in contact with the ground, increasing machine traction.

## Higher ground clearance

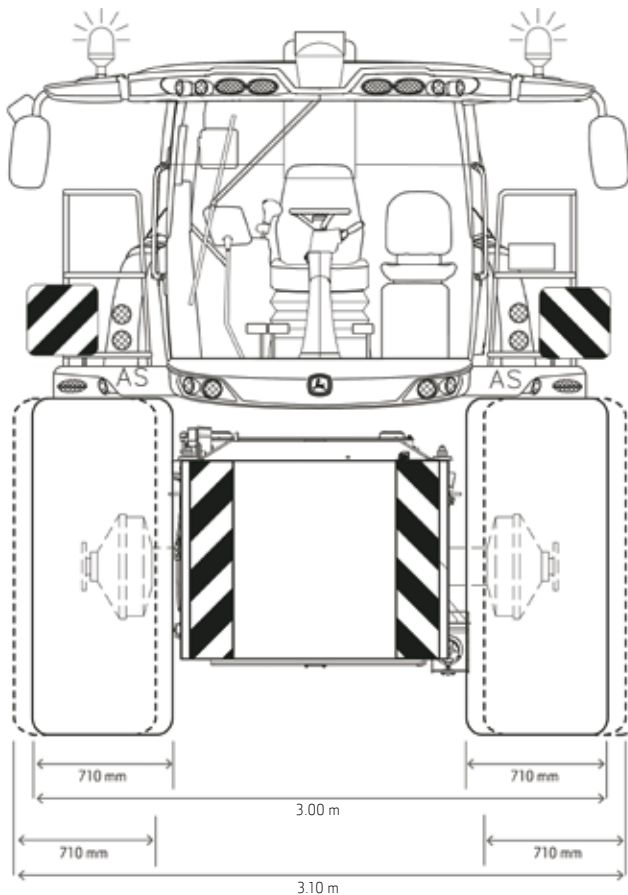
The 8000 Series now offers the biggest tyres in the SPFH market - up to 2.15 m in diameter. These also give you up to 0.5m ground clearance - the best on the market. So you can tackle tough, muddy conditions without any problems thanks to improved overall traction.

## Less soil compaction

Bigger tyres give the 8000 Series a footprint 22%\* larger than previous SPFHs. This spreads machine weight more evenly in the field, reducing pressure on the front axle and soil by almost a ton. Depending on your tyre configuration and header attachment, you can reduce tyre pressure to just 1.0 bar – massively reducing potential soil compaction whilst improving overall traction.

## Fast transport speed

Even with tyre pressures as low as 1.0 bar you can still travel at up to 40 km/h for fast transport between jobs.



\*900/60 R42 Trelleborg tyres







Ø 215cm

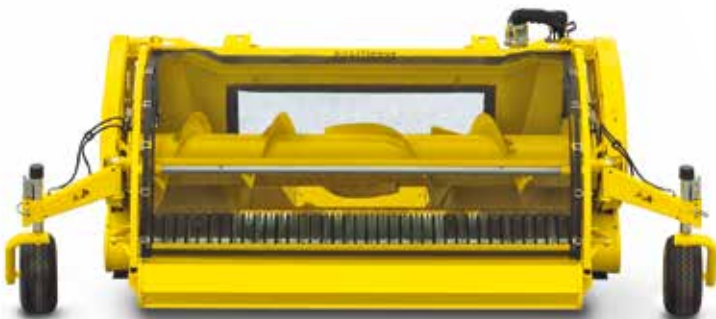
50cm ground clearance

# HIGH EFFICIENCY HEADERS. ALL CROP CAPABILITY.

All crops. All conditions.

Our header range has been exhaustively tested as part of the 8000 Series development programme. Designed and engineered for high horsepower you can rely on excellent crop handling and efficient and reliable operation.

Connecting is easy too. We've taken our experience of drive-on tractor/loader couplings and brought it to forage harvesting. The attaching points are self centering and there is now a single lever locking mechanism and a multicoupler for all hydraulic and electrical connections. Changing between heads has also never been easier, as the "header recognition" eliminates the need to recalibrate after header changeover.



## Grass

A completely new grass pick-up has been designed exclusively for the 8000 Series. Featuring a variable auger speed it gives you better feeding at all cut lengths. An optional tine drive is also available which links the tine speed to the harvester's ground speed to help minimise losses.



## Maize & whole-crop

Famous for their legendary reliability our row independent rotary headers are available in a wide range of widths for the perfect power to throughput match. Their low maintenance design will give you thousands of hours of reliable harvesting.





### Whole-crop

The ProfiCut 620 is a high efficiency header that's the ideal solution when you want whole-crop silage with clean, low-cut stubble. Featuring a well-proven, disc cutterbar, the auger speed is adjustable to the length of cut to help you optimise throughput and forage quality.

An automatic PTO coupler, in addition to our muticoupler and simple latching, delivers industry leading hook up, which improves harvesting uptime.



# NEW GRASS PICK-UP. VALUE ADDED SILAGE.

Stronger. Better throughput. Cleaner collection.  
Our new grass pick-up has been completely redesigned from the ground up.



## A new and unique auger design

The new auger with the unique design of the flights helps to improve the cropflow significantly, especially in heavy and wet windrows.



## Smooth crop flow

It doesn't matter if you get uneven crop flow at row ends or due to variations in planted rows. Our new feedroll dampening system automatically smooths out the crop flow, delivering an even mat to the shearbar for consistent chopping quality.





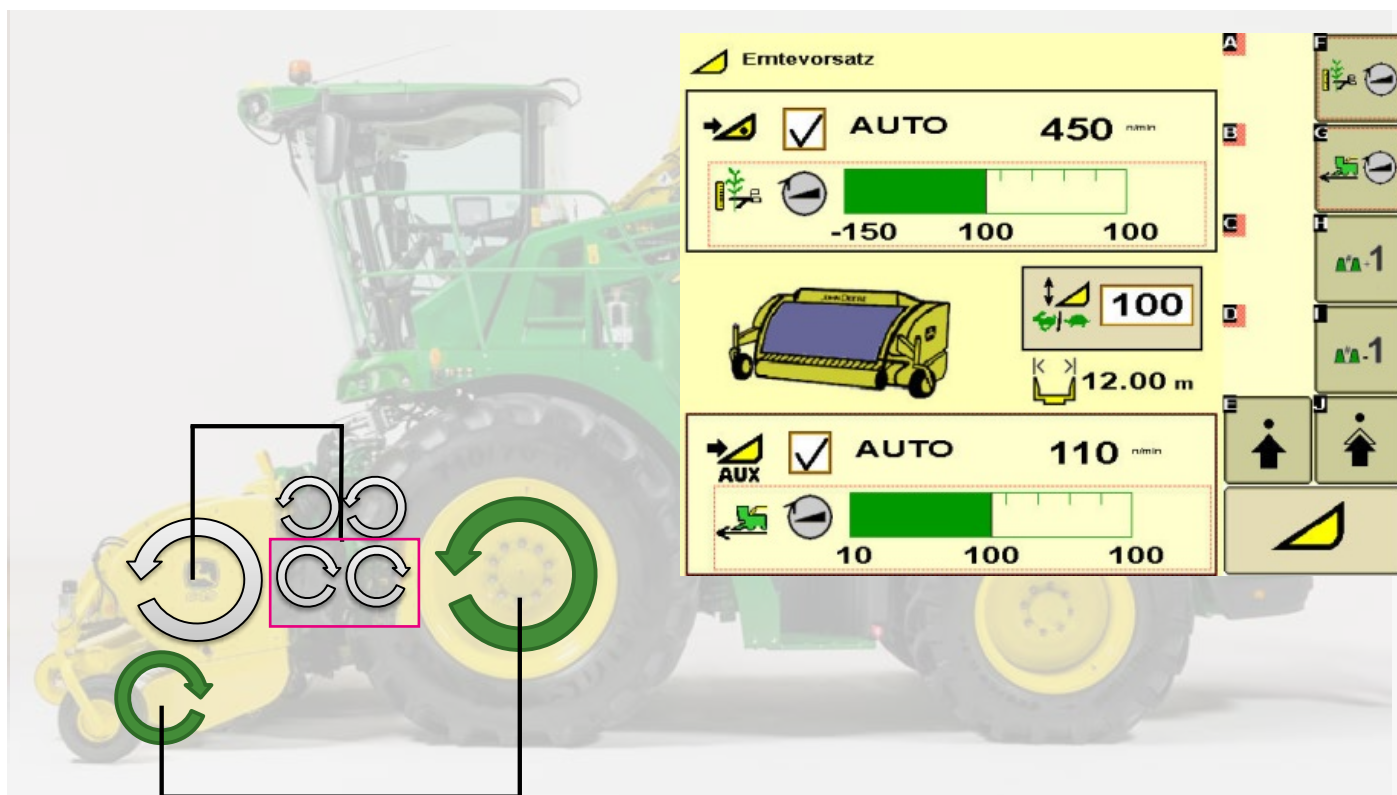


**Better reliability**

Extra heavy duty chain drives and high quality FAG bearings give you dependable performance season after season. Add the automatic greasing to further minimise your daily maintenance.

**Quality silage**

The pivot frame with the additional centre wheel adapts to uneven ground, avoiding soil contamination of silage.



**Variable auger and tine speed**

An optional variable dual header drive adjusts the pick-up tines independently of the auger. This is particularly useful when harvesting light windrows. As the ground speed increases, the pick-up tines automatically increase in speed, so no crop is left on the ground.









## ROW INDEPENDENT. LEGENDARY RELIABILITY.

Built by Kemper, a John Deere company, several thousand of our row independent headers have been sold worldwide. Legendary for their high capacity, reliability and low maintenance there's a wide choice of small or big drum models to match different crop heights and different horsepower requirements.



### **Even feeding – better forage quality**

The sloping conveyor drums in the centre ensure active feeding into the harvester's feedrolls and improve forage quality thanks to the automatic synchronisation of speed with the length of cut.

### **Self cleaning**

The open design lets crop debris and soil fall to the ground and avoids contamination.

### **Excellent in down crop**

The low profile crop dividers pick up down crop more effectively.

### **ProTouch convenience**

Our exclusive ProTouch feature lets operators get ready for harvesting or transport faster. It performs multiple functions with just one button including folding the header. A clear advantage for multiple field changes.

### **Faster stubble decomposition**

Sharp edged blades protect tyres against punctures and encourage rapid stubble decay.

### **Easy road transport**

The compact folding design means you'll always have a perfect view of the road ahead.

### **Automatic support**

The new automated support wheel means you don't even need to leave the cab to ensure the front axle is supported.

## BETTER GRIP. BETTER CONTROL.

ProDrive provides automatic shifting across two pre-set speed ranges.

Although it works on a very different principle, it performs like the cruise control on a car, maintaining a constant speed even if you are harvesting downhill on slopes. In automatic mode you simply select the speed you want to go at from one of two pre-set ranges – up to 20 km/h in the field and up to 40 km/h on the road. It's easy to operate as well. No gear lever. No parking brake. Just push the master control lever forward and ProDrive does the rest.





**Gentle on soft soils**

A speed differential between the front and rear axles prevents the wheels from disturbing the soil when turning.

**Excellent traction**

On harvesters equipped with 4WD, if a wheel starts to lose traction the hydraulic flow is redirected to the remaining wheels which still have traction.

**Powerful braking**

If you need to stop quickly just pull back the control lever and 2 brake units – each with 4 discs – stop the harvester immediately and the automatic parking brake engages.

**Spill-free trailer loading**

A constant speed, also during downhill work, makes it easier for trailer drivers to match their speed to the harvester for accurate loading.

**Save transport time and fuel**

Travel up to 40 km/h between fields at only 1250 rpm.



## HANDS-FREE GUIDANCE. STRESS-FREE HARVESTING.

Automatic hands-free guidance is essential for high volume harvesting operations when you need to fully load the harvester hour after hour. Apart from ensuring you get a full header width with every pass, it saves fuel by eliminating missed or skipped sections and lets you consistently harvest at higher speeds hour after hour.

Guidance also has the added benefit of taking away the stress of harvesting tall maize and other row crops. So you can relax and concentrate on trailer filling and cutting the best quality silage.

### Manual RowSense

Exclusively designed for harvesting maize, Manual RowSense is an electro-mechanical system which uses digital feelers mounted in the maize header to follow the position of the stalks. The signal from the feelers is relayed to a wheel angle sensor and the wheels are automatically adjusted to align the harvester precisely in line with the crop. It is very flexible and will work in row spaces from 35 cm up to 1 m!

Using Manual RowSense couldn't be simpler. Operated via a single button on the multi-function control lever it automatically compensates for any uneven planting or field contours. The steering is adapted to the ground speed of the harvester and becomes more responsive as the machine's speed increases.

### AutoTrac

AutoTrac is perfect for harvesting by using the full working width in whole-crop or maize to further improve the efficiency of your chopper.

### AutoTrac RowSense

AutoTrac RowSense integrates the satellite positioning data from the StarFire receiver with the information from the row sensors located on the header to accurately guide the harvester, even when the crop is down.









## AUTOMATIC ACCURACY. ANYTIME FILLING.

The new John Deere Active Fill Control (AFC) system makes it easier than ever to fill trailers on-the-go. Combine with John Deere AMS Guidance systems like AutoTrac and RowSense and the 8000 Series is the most efficient and productive forage harvesting set-up available on the market today.

### **Reduce crop losses**

Integrated cameras monitor how full the trailer is and adjusts the amount of crop flow to ensure you never spill any forage.

### **Fast acquisition of trailers**

When switching between trailers or resuming from headlands, AFC quickly reacquires trailers and keeps you working without unnecessary stops.

### **Work day and night**

The automated AFC system works perfectly even in low light conditions, which means you can work for longer and push your performance further.

### **Accurate filling in any crop**

It doesn't matter if you're harvesting maize or grass, AFC works with every crop.



AFC is operated from the integrated CommandCentre



The operator has a clear view of the trailer load













# GIVE YOUR BUSINESS MORE

Reliability, cutting performance and cost of operation are the three most important factors when choosing a new forager. Better reliability means more uptime. Precision cutting brings more value to your customers. And lower cost of operation delivers more profitability. Only the 8000 Series gives your business more.

“ *I want certainty in my business so I can plan for the future. It's about having the best machine with the latest technology. And it's about reliable support from my dealer.* ”

**Smooth and even crop flow**

The new feedroll dampening system maintains an even pressure distribution on the upper rollers. This makes a big difference when you're chopping uneven swath as the dampener smooths out the crop mat, ensuring even feeding and a consistent Length-Of-Cut.

**Fast header attachment**

The self-adjusting header locking system connects the driveline automatically.

**Positive crop handling**

The toothed profile on the feedrolls ensures better pick up of the crop from the header.

**High capacity feedrolls**

The feedrolls are fully synchronised with the header for smooth crop flow. The heavy duty layout in combination with the new springs applies up to 35% more pressure creating a flatter crop mat for more even, precise cutting.

**Patented quick stop system**

A patented hydraulic system instantaneously switches off the feedrolls without the stresses of traditional mechanical linkages.

**Wide profile knife mountings**

The knife mountings are wider and the profile is designed to channel the crop for a more stable and even flow.

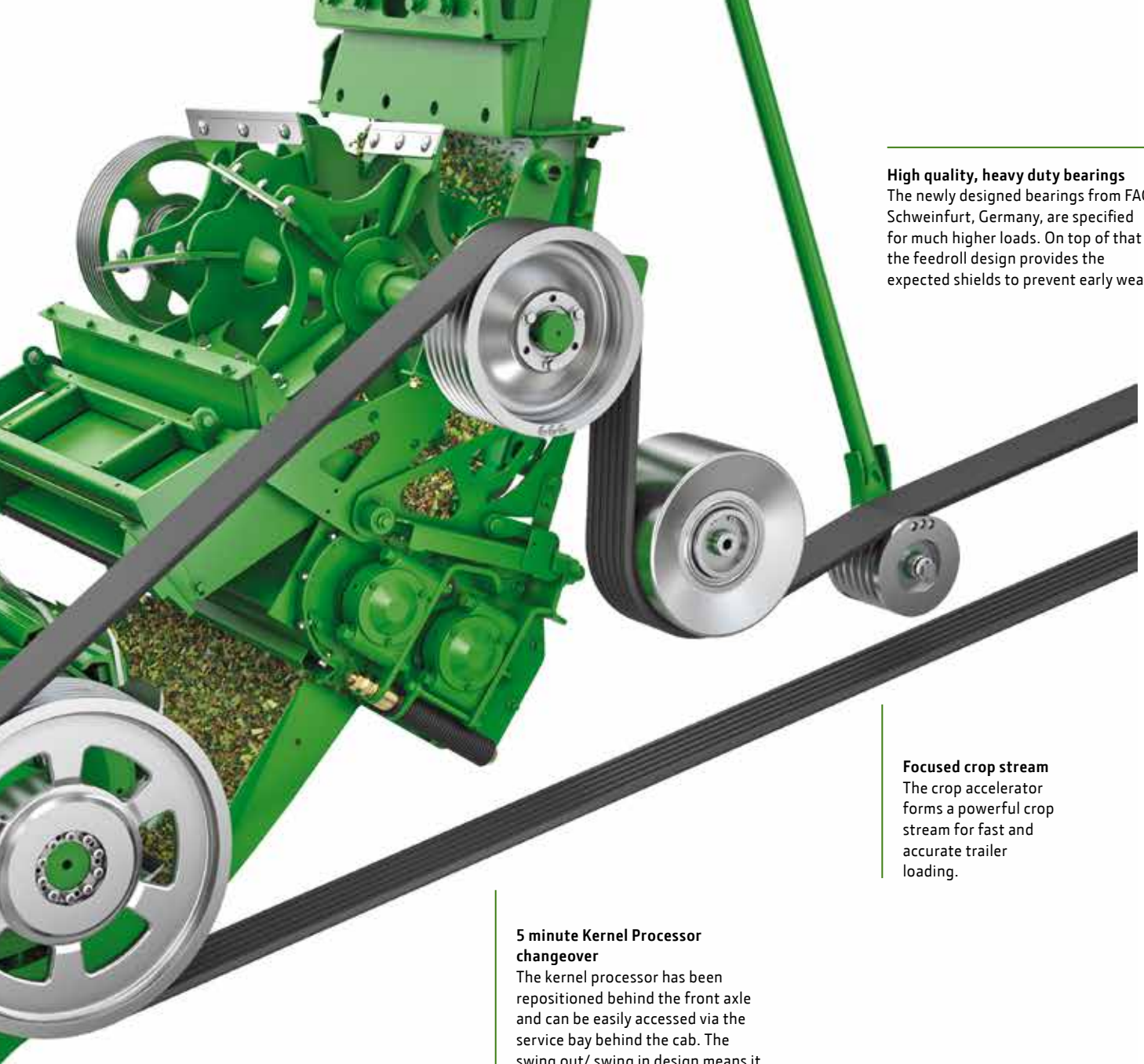
**Extra fine shearbar adjustment**

The shearbar is mounted on a rock solid platform for better stability and finer adjustment. The adjustment pivoting point is positioned far below the shearbar, ensuring minimum horizontal change when adjusting to worn out knives.

**Long lasting hydraulic knife sharpener**

The new all hydraulic system is more resistant to vibrations for better reliability.





**High quality, heavy duty bearings**  
The newly designed bearings from FAG Schweinfurt, Germany, are specified for much higher loads. On top of that the feedroll design provides the expected shields to prevent early wear.

**Focused crop stream**  
The crop accelerator forms a powerful crop stream for fast and accurate trailer loading.

**5 minute Kernel Processor changeover**

The kernel processor has been repositioned behind the front axle and can be easily accessed via the service bay behind the cab. The swing out/ swing in design means it can be moved out of the crop flow and replaced with a grass chute in under 5 minutes.

## PROSTREAM: HIGH POWER. LOW FRICTION.

The ProStream cropflow channel has been completely redesigned with extra heavy duty components for engine horsepower outputs of much more than today's industry power line up and a maximum throughput of more than 400 tons per hour. On the models from 625 hp the crop channel is 17 cm wider to provide the most efficient balance between horsepower and throughput.

The smooth, gentle arc of the channel also minimises resistance for an even cropflow stream and lower wear.

# LIGHTER MATERIALS. STRONGER CONSTRUCTION.

As headers become larger and heavier, the overall machine weight is an important consideration to help reduce soil compaction. This is particularly important for no-till farming operations as well as biogas harvesting where crops are often planted on less stable soils.

Weight minimisation was a design requirement from the first 8000 Series concept, with the designers not just looking at new, lighter materials but alternative weight-saving drive technologies. For the 8000 Series lighter also means stronger as specialist high tensile steels and lightweight alloy castings are more rigid and stiff for a longer and more reliable working life.

#### **High tensile steel panels**

Twice the strength of standard mild steel, the extensive use of high tensile steel enables thinner but stronger panels.

#### **Hydraulics replace mechanics**

In many cases conventional gearboxes have been replaced with hydraulics. With fewer moving parts, they are lighter with the added benefit of being able to transmit more torque. Dry sump greasing also brings significant improvements in efficiency and functionality.

#### **Cast aluminium components**

Many of the drive casings are made of heat treated cast aluminium. With a higher stiffness to weight ratio than steel they are 1/3 the weight by volume, bringing considerable savings in the machine's overall weight.

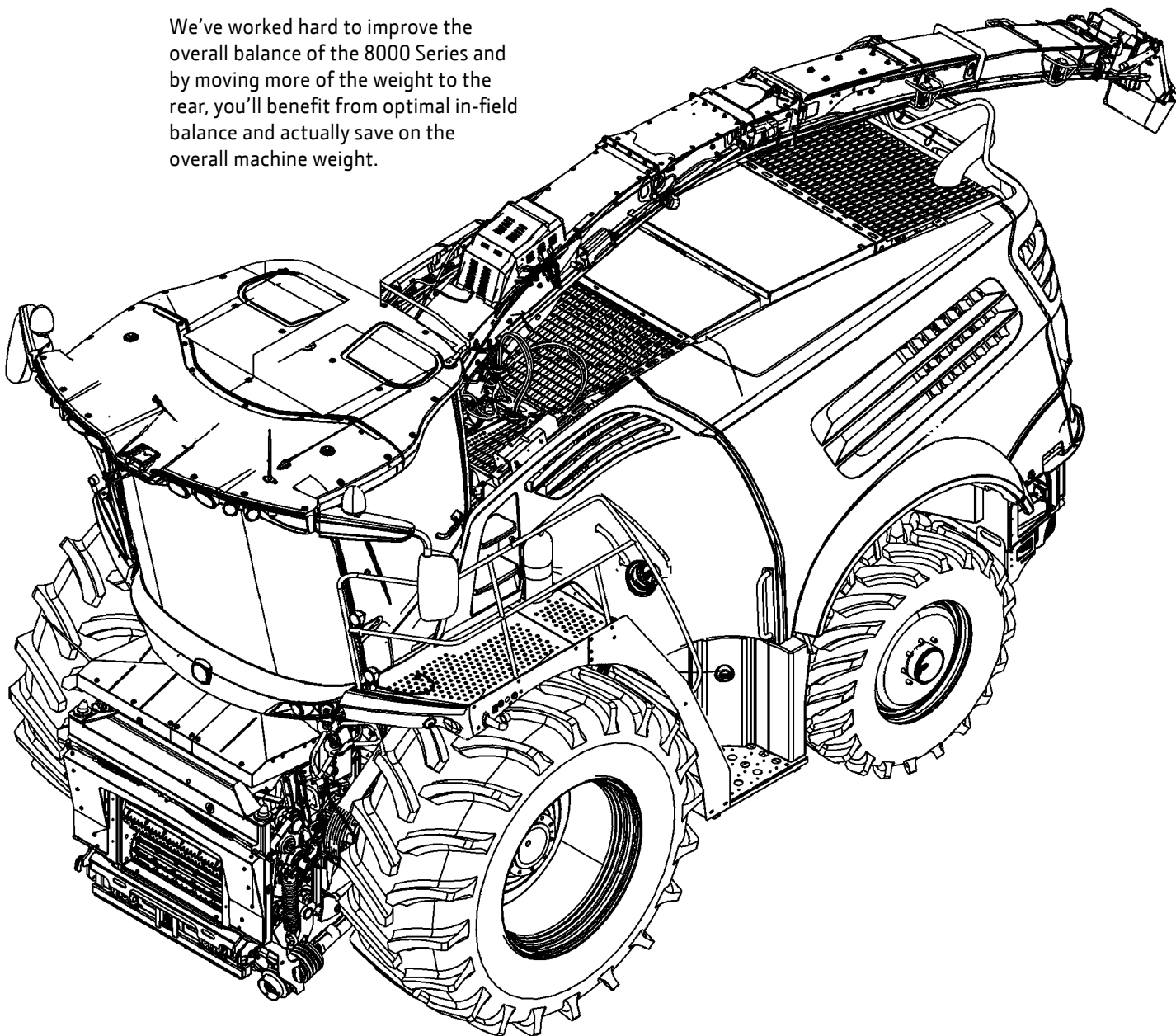
#### **Perfect stability**

The longitudinal layout means the engine can be positioned lower within the forager's chassis. This lowers the machine's overall centre of gravity for better stability when working on steep slopes or travelling at high speed on the road.



### Better balance

We've worked hard to improve the overall balance of the 8000 Series and by moving more of the weight to the rear, you'll benefit from optimal in-field balance and actually save on the overall machine weight.

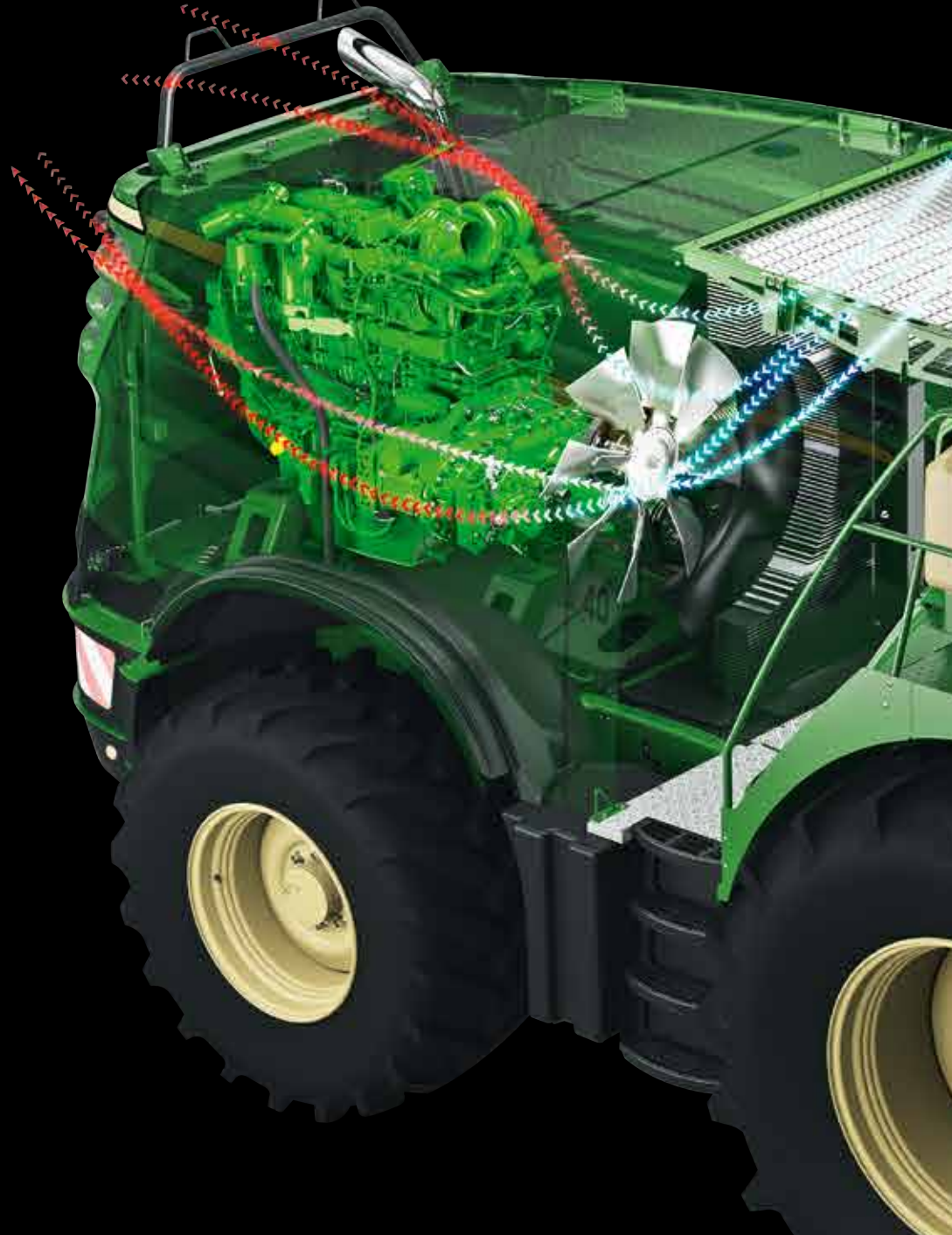


### Larger tyre diameter

A front tyre diameter of 2.15m and a rear tyre diameter of 1.64m means the 8000 Series has the best ground clearance in the market. The overall weight is also spread more evenly, which minimises soil compaction and improves yields.

### Lighter aluminium gearbox

The addition of a new, heat treated cast aluminium gearbox helps to cut 800kg from the overall machine weight. Not only is the gearbox now more resistant to wear but the lighter weight also reduces fuel consumption.



## LONGITUDINAL ENGINE. OPTIMUM POSITION.

The longitudinal engine layout has many advantages for the overall stability, efficiency and comfort of the 8000 Series.





Extensive testing of the cooling was carried out in our own wind tunnel. Big enough to fit a full forage harvester, it's unique in the agricultural industry and allows us to test the cooling efficiency at different ambient temperatures. Infrared heat maps identified hot spots for optimised cooling.

#### **Optimum cooling**

With low forward speeds forage harvesters cannot rely on the ram cooling effect of motor cars. So to ensure the engine runs at its optimum temperature, efficient cooling is essential. The longitudinal layout means more of the engine's surface area is on the outer edges of the machine, unobstructed by other components.

Cool air is drawn in through the channels behind the cab and is guided along the sides of the engine to the rear vents. This layout eliminates the need for the larger, power intensive cooling packages with transverse engine layouts.

#### **Efficient driveline**

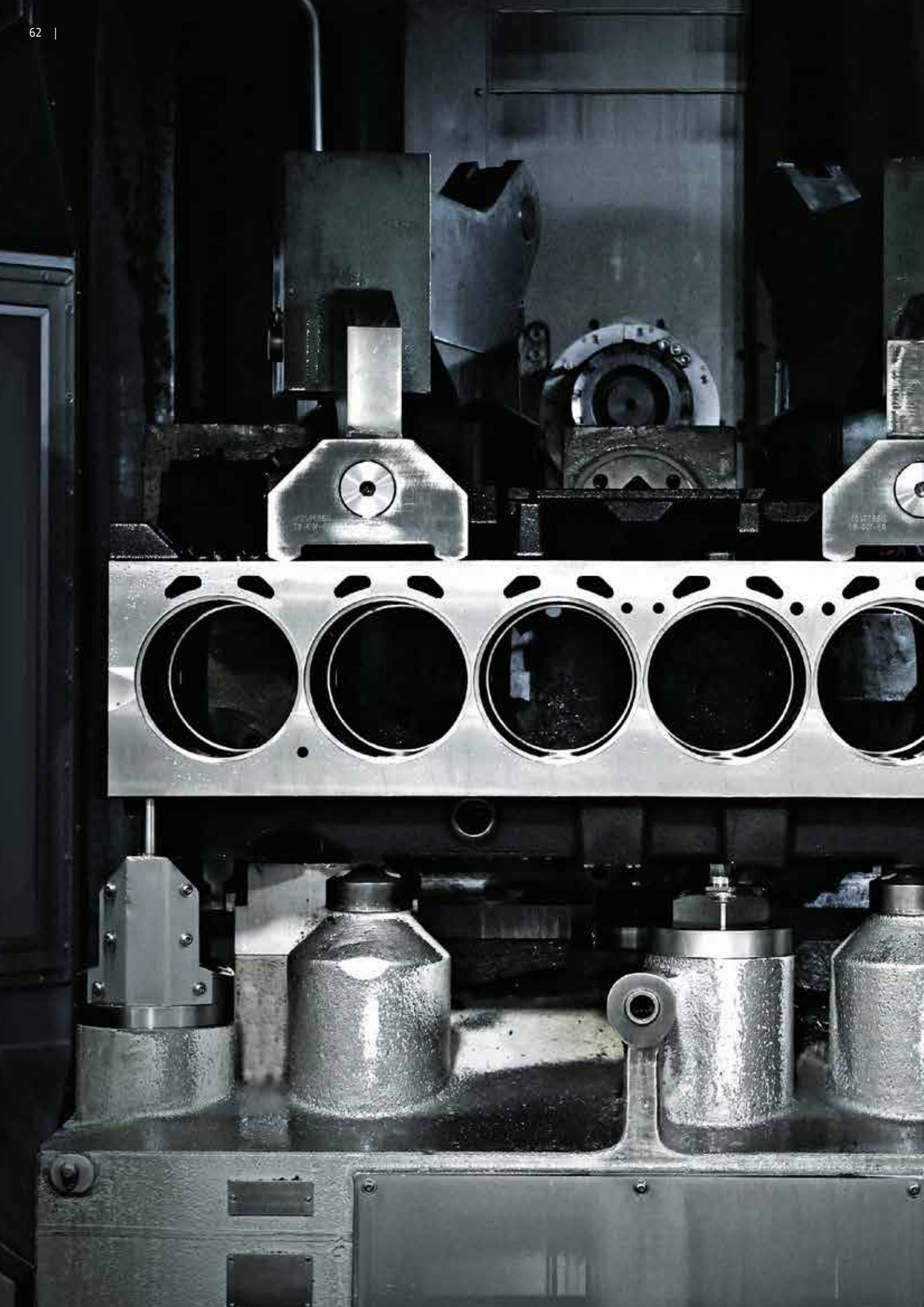
The angular gear transfers power to the drive systems with minimal power loss ~0.5% thanks to the new dry sump greasing technology. An added advantage of this layout is all the hydraulics and the fan are driven directly from the engine without the need for complex couplings and additional belts or pulleys.

#### **Better rear vision**

The longitudinal engine results in a narrower body with better rear visibility for trailer filling and safer manoeuvring.

#### **Excellent engine access**

The side and rear panels provide uninterrupted access to all the regular maintenance items for rapid servicing and maintenance.





# CLEANER POWER. BETTER ECONOMY.

John Deere is the only agricultural equipment manufacturer to design and build its own engines. Why? Because we recognise the needs of agricultural equipment are very different from the needs of on-road trucks and machinery.

There are two choices of engine for the 8000 Series - the latest Stage 4 PowerTech engine or a larger, Stage 2 Cummins engine\*. Both offer excellent performance, torque and responsiveness – ideal for handling rapid changes in harvesting throughput.

## EXPERIENCE LIKE NO OTHER

# 7+

million off-highway diesel engines produced.

# 60+

million operating hours with IT4 engines

# 22+

million operating hours with after-treatment technologies.

# 200+

million operating hours with Variable Geometry Turbocharging (VGT) and cooled Exhaust Gas Recirculation (EGR).

\*9 L Stage 4 PowerTech engine used in 8100/8200 models.

13.5 L Stage 4 PowerTech engine use in 8300/8400/8500/8600 models.

19 L Stage 2 Cummins engine used in 8700/8800 models.

## JUST CHOP MORE!

The two new top models 8700 and 8800 Series offer what you have been waiting for: more Power, more throughput and more comfort for a new level of maximum daily output in extra heavy grass or corn conditions, ensuring a constant throughput of more than 300 tons per hour.

### Engine Power:

The huge 19 l Cummins engine, which provides 766 hp and 843 hp respectively, is made for the lifetime of an SPFH. The cast engine is mounted like the John Deere engines, in a longitudinal direction in the SPFH, ensuring a perfect temperature and cooling efficiency, while minimising the fan power requirements. You'll benefit from improved fuel efficiency, cleaner emissions and an unbelievable amount of power during operation. The Tier II engine is also diesel only, so you don't have the inconvenience of needing to use diesel exhaust fluid.

### Comfortable trailer filling with our extra long foldable 12 row extension

Have a look and you'll find out: our spout turning system is made for the toughest conditions, ensuring you can rely on it day by after day without any maintenance. Get ready for the corn season now and make use of the extra long foldable spout extension within seconds by only pressing 1 button!

### ProTouch:

You want to become faster when changing from field to field? No problem. Our unique system ProTouch allows you, with just one button, to automatically be ready for the field or ready for the road incorporating 6 functions just by pressing one button!









# INTELLIGENT DESIGN. 6% MORE FUEL EFFICIENT.\*



The advantages of one designer and one manufacturer become very clear when it comes to fuel efficiency. Better fuel efficiency is not just about more efficient engines. It's about the way the whole machine is designed and built. Because our engineers developed every critical component, they were able to ensure the best possible balance.

### Engine speed management

The optional ProDrive engine speed management automatically matches engine rpm to the harvester's power requirements for different field and road conditions. This gives you **fuel savings of up to 14.3% at headlands and 18.9% overall.**

### Dry sump gearboxes

The extensive use of dry sump gearboxes removes the friction associated with gears splashing through oil sumps and minimises power losses and the need for oil cooling.

### Lighter components

We made the 8000 Series nearly one ton lighter. Less weight means less fuel consumption.

### Less cropflow resistance

The crop flow and cutting system consumes almost 75% of the total engine power so small improvements in efficiency bring big fuel savings.

### Larger tyre footprint

The larger tyre footprint spreads the machine load for better traction and less power loss in soft soil conditions.

### Optimised cooling

The longitudinal engine position and high performance cooling package provides more efficient cooling so the engine operates at optimum temperature.



Optimised traction and only 3 m transport width.



Up to 18.9% fuel savings with ProDrive.



Reduced friction and minimised power losses lead to big fuel savings.

\* Compared to equivalent 7080 Series model.









## LESS MAINTENANCE. MORE UPTIME.

The 8000 Series is designed with minimal maintenance to maximise your chopping time. Extensive use has been made of high performance materials and new technologies with some components even sealed for life. An integrated toolkit in the rear storage compartment also provides all the necessary tools for regular maintenance and repair.

### **Automatic greasing system**

The automatic greasing system is located in the service area behind the cab and removes the need for daily greasing.

### **Easy clean radiator screen**

The engine radiator screen slides out for easy cleaning with the integrated high pressure air hose.

### **Long lasting components**

Extra wide tungsten carbide coatings on the knives extend their service life significantly. Ultra hard-wearing DuraLine Plus components are also available for the crop flow wear panels. They last 5 times longer than standard parts.

### **Maintenance-free components**

Many of the heavy duty bearings are sealed for life and the new spout rotation drive, including the integrated break away system, is completely maintenance free.

### **Common parts**

The air and engine filters and many other maintenance parts are common to other John Deere machines and are held in dealer stock. Other parts are also designed for greater commonality.

### **Fewer moving parts**

The extensive use of hydraulic drives reduces the number of moving parts for better reliability.













## YOUR PROFESSIONAL TEAM. DEDICATED SUPPORT.

When you invest in the 8000 Series you don't just get a cutting edge, efficient harvesting machine. You also get a support network that's geared up to keep you harvesting. Professionally trained service technicians know every part of your machine and using the latest diagnostic tools can identify any issues. During the harvest season you'll also find they're open late when you need them. And when the season's over they don't stop working either. Offering a comprehensive winter inspection check, they'll make sure your harvester is as good as the day it left the factory.

---

### BUDGET YOUR MAINTENANCE

A PowerGard service plan helps you budget your running costs with complete certainty. Using only genuine components, lubricants and coolants you'll maximise your harvester's uptime and resale value. There's a choice of three plans:

#### **PowerGard Maintenance**

Covers all scheduled servicing and can be tailored to suit your individual needs.

#### **PowerGard Protection**

Repairs on all engine, transmission and frame components as well as scheduled servicing for up to 3 years or 3,000 hours (whichever is sooner).

#### **PowerGard Protection Plus**

Includes everything from PowerGard Protection but also covers engine auxiliaries, electrical components, steering and brakes, hydraulics and the cab.

## LONGER LASTING PARTS. ON-TIME DELIVERY.

Your dealer holds an extensive stock of regular maintenance and wear parts. And, if what you need isn't available off-the-shelf, they can get it to you quickly. Our European supply network holds more than 375,000 parts from a pick-up auger to a feedroll spring – all ready for next day delivery.

JDParts online ordering – If you prefer, order online through JDParts and get it delivered to your dealer. <https://jdparts.deere.com>

### **Instant pricing and availability**

Check if a part is in stock at your local dealer and find out how much it will cost.

### **Open 24/7, 365 days a year**

We're open whenever you need to buy. Early in the morning. Last thing at night.

### **Fast search**

Find what you want fast by part number, model or keywords.

### **See before you buy**

Access the entire John Deere parts catalogue and view product images so you know exactly what you're ordering.

### **Multi-make parts available**

Our catalogue doesn't just include genuine John Deere parts. Use it as a one stop shop for your other equipment.

### **BUDGET YOUR MAINTENANCE**

A PowerGard service plan helps you budget your running costs with complete certainty. Using only genuine components, lubricants and coolants you'll maximise your harvester's uptime and resale value. There's a choice of three plans:









← Back Agland Inc. ECR 86° 14:14

Harvest: Corn

Work time 03:42:06

Start transportation 01:17:46

FIELD

|                  |       |
|------------------|-------|
| North East Field | 9 Ha  |
| Center Field 1   | 10 Ha |
| Center Field 2   | 13 Ha |
| Down the Road 1  | 4 Ha  |
| South Side Field | 4 Ha  |
| Near the Forest  | 7 Ha  |

Show more details



## MYJOHNDEERE.COM. YOUR OPERATIONS AT YOUR FINGERTIPS.

Unlock the full productivity of your operations through MyJohnDeere.com. It enables you to monitor and run your fleet of machines and manage your land – all from a central location. Go to the Operations Centre, allocate equipment, track the work progress of your machines. Use John Deere Wireless Data Transfer to easily transfer information from your GreenStar 2630 display in the cab, for example, yield or as-applied maps.

MyJohnDeere is also your gateway to JDLink, John Deere's remote monitoring and fleet management tool. Track your machine's working hours with JDLink and analyse detailed machine utilisation to identify productivity and logistic gaps or monitor fuel consumption to improve fuel efficiency and cut costs. What's more, every new 8000 Series has one year's subscription to JDLink Access included as standard.

Service and Support is just one click away.

Utilising the JDLink infrastructure your dealer can also perform remote diagnostics and controller reprogramming to prevent issues before they actually happen. Thanks to John Deere Remote Display Access you, or your John Deere dealer, can connect live to the GreenStar 2630 display in the cab to assist the operator from afar with machine setup and operation.

|                                   | JDLink Access | JDLink Connect |
|-----------------------------------|---------------|----------------|
| Machine location                  | ✓             | ✓              |
| Geofencing                        | ✓             | ✓              |
| Machine hours                     | ✓             | ✓              |
| Maintenance planning              | ✓             | ✓              |
| Fuel consumption                  | ✓             | ✓              |
| Machine utilisation               | ✓             | ✓              |
| Machine diagnostics               | ✓             | ✓              |
| Machine settings                  | ✓             | ✓              |
| Machine productivity data         | ✓             | ✓              |
| Service ADVISOR remote            | ✓             | ✓              |
| John Deere Remote Display Access  |               | ✓              |
| John Deere Wireless Data Transfer |               | ✓              |

## JOHN DEERE FARMSIGHT. PROFIT FROM INSIGHT.

John Deere's Farmsight service packages take your harvest operations to a new level of efficiency. Thanks to our revolutionary JDLink wireless technology, with your permission, your dealer can remotely monitor your machines in real-time for a fixed monthly fee.

Your dealer knows how to boost the uptime and performance of your forage harvester. Ask him to learn more about the John Deere FarmSight packages on offer.



### **UPTIME**

**Better budget planning.** With an all inclusive PowerGard maintenance package, running costs become a known quantity.

**Preventative maintenance** – regular servicing with genuine John Deere parts reduces incidences of downtime and maintains machine value.

**Increased uptime** – service alerts and remote diagnosis keep you chopping non-stop.





## PERFORMANCE

**Lower fuel costs.** Identification of optimum settings to minimise fuel consumption.

**Improve operator skills** – analysis of individual operator's behaviour with tips and advice on driving technique.

**Higher productivity** – analysis of key performance indicators.



## LOGISTICS

**Optimise fleet management.**

Ensure you have the right number of trailers for the job.

**Reduce forager downtime** – never have a machine waiting for a trailer.

**Minimise fuel costs** – eliminate unnecessary journeys and improve route planning.



## AGRONOMICS

**Better crop management.**

Yield mapping helps identify the most suitable crops for replanting in different fields.

**Manage forage better** – constituent measurement gives your customers better control of their feedstocks.

**Control field inputs** – yield mapping gives valuable intelligence on field variations for accurate application of fertilisers, chemicals and other inputs.



# Model specifications

| MODEL  | 8100  | 8200  | 8300 - New for MY2016   | 8400  |
|--|---|---|---|---|
| <b>Engine power</b>  |   |   |   |   |
| Maximum power @ 1900 rpm                                     | 279 kW - 380 PS   | 317 kW - 431 PS   | ---   | ---   |
| Maximum power @ 1800 rpm                                     |   |   | 360 kW - 490 PS   | 397 kW - 540 PS   |
| Rated power @ 2100 rpm                                       | 251 kW - 340 PS   | 295 kW - 401 PS   | 333 kW - 453 PS   | 369 kW - 502 PS   |
| Fuel tank capacity   | 1100 L  | 1100 L  | 1100 L  | 1100 L  |
| <b>Engine</b>  |   |   |   |   |
| Manufacturer   | John Deere  | John Deere  | John Deere  | John Deere  |
| Type   | PowerTech™ PSS 9.0L<br>Exhaust emission regulation<br>compliance: Tier 4 Final  | PowerTech™ PSX 9.0L<br>Exhaust emission regulation<br>compliance: Tier 4 Final  | PowerTech™ PSX 13.5L<br>Exhaust emission regulation<br>compliance: Tier 4 Final   | PowerTech™ PSX 13.5L<br>Exhaust emission regulation<br>compliance: Tier 4 Final   |
| Model  | 6090HZ014   | 6090HZ014   | 6135HZ014   | 6135HZ014   |
| Displacement   | 9 L   | 9 L   | 13.5 L  | 13.5 L  |
| Cylinders  | In line six   | In line six   | In line six   | In line six   |
| Fuel system  | Common rail plus four<br>valves   | Common rail plus four<br>valves   | Unit injectors plus four valves   | Unit injectors plus four valves   |
| <b>Cooling system</b>  |   |   |   |   |
| Cooling system capacity                                      | 82 l  | 83 l  | 113 l   | 113 l   |
| Cooling fan drive  | Direct  | Direct  | Direct  | Direct  |
| <b>Driveline</b>   |   |   |   |   |
| Ground drive   | Standard: Hydrostatic, 3-speed -<br>manual shift with helical gears<br>Engine rpm on road: 1650 rpm<br>Optional: Prodrive™, autoshift<br>transmission, differential lock<br>(automatic and manual),<br>automatic wet brake system<br>Engine rpm on road:<br>1250-2100 rpm | Standard: Hydrostatic, 3-speed -<br>manual shift with helical gears<br>Engine rpm on road: 1650 rpm<br>Optional: Prodrive™, autoshift<br>transmission, differential lock<br>(automatic and manual),<br>automatic wet brake system<br>Engine rpm on road:<br>1250-2100 rpm | Standard: Hydrostatic, 3-speed -<br>manual shift with helical gears<br>Engine rpm on road: 1650 rpm<br>Optional: Prodrive™, autoshift<br>transmission, differential lock<br>(automatic and manual),<br>automatic wet brake system<br>Engine rpm on road:<br>1250-2100 rpm | Standard: Hydrostatic, 3-speed -<br>manual shift with helical gears<br>Engine rpm on road: 1650 rpm<br>Optional: Prodrive™, autoshift<br>transmission, differential lock<br>(automatic and manual),<br>automatic wet brake system<br>Engine rpm on road:<br>1250-2100 rpm |
| Main Hydraulics  | Load sensing  | Load sensing  | Load sensing  | Load sensing  |
| Crop harvesting unit   | Harvest channel standard body   | Harvest channel standard body   | Harvest channel standard body   | Harvest channel standard body   |
| Crop flow components   | Low-friction crop-flow concept  | Low-friction crop-flow concept  | Low-friction crop-flow concept  | Low-friction crop-flow concept  |
| Main clutch  | Dry clutch  | Dry clutch  | Dry clutch  | Dry clutch  |
| Number of discs  | One disc  | One disc  | One disc  | One disc  |
| Main driveband   | Reinforced with Kevlar inserts  | Reinforced with Kevlar inserts  | Reinforced with Kevlar inserts  | Reinforced with Kevlar inserts  |
| Belt tensioning  | Active, hydraulic pressure  | Active, hydraulic pressure  | Active, hydraulic pressure  | Active, hydraulic pressure  |
| Main driveband, polybelt belts                               | Six belts   | Six belts   | Six belts   | Six belts   |
| <b>Electrical system/Electrical<br/>and hydraulic system</b> |   |   |   |   |
| Type/voltage   | 12 V  | 12 V  | 13 V  | 12 V  |
| Batteries/battery quantity/<br>capacity                      | 1 x 174 amp-hr  | 1 x 174 amp-hr  | 2 x 174 amp-hr  | 2 x 174 amp-hr  |
| Alternator   | 200 amp   | 200 amp   | 201 amp   | 200 amp   |
| Hydraulic system capacity                                    | 50 L  | 50 L  | 50 L  | 50 L  |
| <b>Ground drive</b>  |   |   |   |   |
| Maximum transport speed                                      | Hydrostatic transmission: 30 km/h<br>ProDrive transmission: 40 km/h   | Hydrostatic transmission: 30 km/h<br>ProDrive transmission: 40 km/h   | Hydrostatic transmission: 30 km/h<br>ProDrive transmission: 40 km/h   | Hydrostatic transmission: 30 km/h<br>ProDrive transmission: 40 km/h   |
| Rear axle type   | Hydro-Mechanical 4-WD   | Hydro-Mechanical 4-WD   | Hydro-Mechanical 4-WD   | Hydro-Mechanical 4-WD   |
| Automatic wet brake system                                   | Available with ProDrive<br>transmission   | Available with ProDrive<br>transmission   | Available with ProDrive<br>transmission   | Available with ProDrive<br>transmission   |
| Engine rpm - Management                                      | Optional  | Optional  | Optional  | Optional  |
| <b>Cab</b>   |   |   |   |   |
| <b>Machine management solutions</b>                          |   |   |   |   |
| Yield monitoring   | Harvest Monitor™ optional   | Harvest Monitor™ optional   | Harvest Monitor™ optional   | Harvest Monitor™ optional   |
| Documentation  | Harvest Doc™ optional   | Harvest Doc™ optional   | Harvest Doc™ optional   | Harvest Doc™ optional   |
| Crop analysis  | HarvestLab™ optional  | HarvestLab™ optional  | HarvestLab™ optional  | HarvestLab™ optional  |



| 8500   | 8600   | 8700   | 8800   |
|--|--|--|--|
| ---  | ---  | ---  | ---  |
| 430 kW - 585 PS  | 460 kW - 625 PS  | 563 kW - 766 PS  | 620 kW - 843 PS  |
| 400 kW - 544 PS  | 428 kW - 582 PS  | 520 kW - 707 PS  | 555 kW - 755 PS  |
| 1100 L   | 1100 L   | 1500 L   | 1500 L   |
| John Deere   | John Deere   | Cummins  | Cummins  |
| PowerTech™ PSX 13.5L<br>Exhaust emission regulation compliancy:<br>Tier 4 Final  | PowerTech™ PSX 13.5L<br>Exhaust emission regulation compliancy:<br>Tier 4 Final  | Cummins QSK 19<br>Exhaust emission regulation compliancy:<br>Tier 2  | Cummins QSK 19<br>Exhaust emission regulation compliancy:<br>Tier 2  |
| 6135HZ014  | 6135HZ014  | Cummins QSK 19755  | Cummins QSK 19831  |
| 13.5 L   | 13.5 L   | 19 L   | 19 L   |
| In line six  | In line six  | In line six  | In line six  |
| Unit injector plus four valves   | Unit injectors plus four valves  | Unit injectors plus four valves  | Unit injectors plus four valves  |
| 113 l  | 113 l  | 130 l  | 130 l  |
| Direct   | Direct   | Direct   | Direct   |
| Standard: Hydrostatic, 3-speed - manual shift with helical gears<br>Engine rpm on road: 1650 rpm<br>Optional: Prodrive™, autoshift transmission, differential lock (automatic and manual), automatic wet brake system<br>Engine rpm on road: 1250-2100 rpm | Standard: Hydrostatic, 3-speed - manual shift with helical gears<br>Engine rpm on road: 1650 rpm<br>Optional: Prodrive™, autoshift transmission, differential lock (automatic and manual), automatic wet brake system<br>Engine rpm on road: 1250-2100 rpm | Standard: Hydrostatic, 3-speed - manual shift with helical gears<br>Engine rpm on road: 1650 rpm<br>Optional: Prodrive™, autoshift transmission, differential lock (automatic and manual), automatic wet brake system<br>Engine rpm on road: 1250-2100 rpm | Standard: Hydrostatic, 3-speed - manual shift with helical gears<br>Engine rpm on road: 1650 rpm<br>Optional: Prodrive™, autoshift transmission, differential lock (automatic and manual), automatic wet brake system<br>Engine rpm on road: 1250-2100 rpm |
| Load sensing   | Load sensing   | Load sensing   | Load sensing   |
| Harvest channel standard body  | Harvest channel wide body  | Harvest channel wide body  | Harvest channel wide body  |
| Low-friction crop-flow concept   | Low-friction crop-flow concept   | Low-friction crop-flow concept   | Low-friction crop-flow concept   |
| Dry clutch   | Dry clutch   | Dry clutch   | Dry clutch   |
| One disc   | One disc   |  |  |
| Reinforced with Kevlar inserts   | Reinforced with Kevlar inserts   | Reinforced with Kevlar inserts   | Reinforced with Kevlar inserts   |
| Active, hydraulic pressure   | Active, hydraulic pressure   | Active, hydraulic pressure   | Active, hydraulic pressure   |
| Six belts  | Eight belts  | Eight belts  | Eight belts  |
| 12 V   | 12 V / 24 V  | 12 V / 24 V  | 12 V / 24 V  |
| 2 x 174 amp-hr   | 2 x 174 amp-hr   | 3 x 174 amp-hr   | 3 x 174 amp-hr   |
| 200 amp  | 12 V - 200 amp & 24 v - xx Amp   | 200 amp  | 200 amp  |
| 50 L   | 50 L   | 50 L   | 50 L   |
| Hydrostatic transmission: 30 km/h<br>ProDrive transmission: 40 km/h  | Hydrostatic transmission: 30 km/h<br>ProDrive transmission: 40 km/h  | Hydrostatic transmission: 30 km/h<br>ProDrive transmission: 40 km/h  | ProDrive transmission: 40 km/h   |
| Hydro-Mechanical 4-WD  | Hydro-Mechanical 4-WD  | Hydro-Mechanical 4-WD  | Hydro-Mechanical 4-WD  |
| Available with ProDrive transmission   | Available with ProDrive transmission   | Available with ProDrive transmission   | Available with ProDrive transmission   |
| Optional   | Optional   | Optional   | Standard   |
| Harvest Monitor™ optional  | Harvest Monitor™ optional  | Harvest Monitor™ optional  | Harvest Monitor™ optional  |
| Harvest Doc™ optional  | Harvest Doc™ optional  | Harvest Doc™ optional  | Harvest Doc™ optional  |
| HarvestLab™ optional   | HarvestLab™ optional   | HarvestLab™ optional   | HarvestLab™ optional   |

# Model specifications

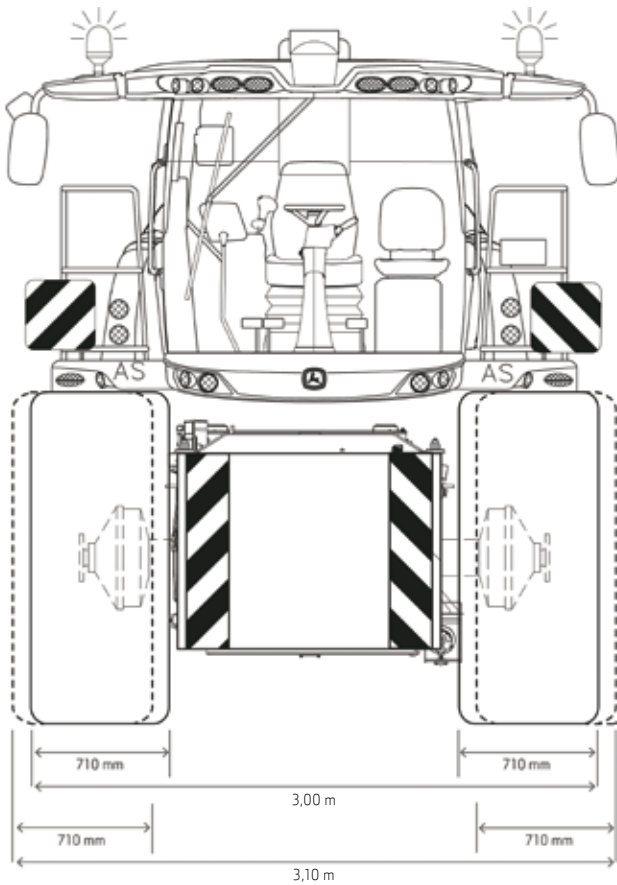
| MODEL   | 8100   | 8200  | 8300 - New for MY2016   | 8400   |
|---|--|---|---|--|
| Length-of-cut control based on crop parameter   | Infinitely variable length-of-cut (IVLOC™) standard<br>AutoLOC™ optional - use with HarvestLab   | Infinitely variable length-of-cut (IVLOC™) standard<br>AutoLOC™ optional - use with HarvestLab  | Infinitely variable length-of-cut (IVLOC™) standard<br>AutoLOC™ optional - use with HarvestLab  | Infinitely variable length-of-cut (IVLOC™) standard<br>AutoLOC™ optional - use with HarvestLab   |
| Satellite (GPS) assisted steering<br>Crop-harvesting units  | AutoTrac™ optional   | AutoTrac™ optional  | AutoTrac™ optional  | AutoTrac™ optional   |
| Header height control   | Advanced header control (AHC) optional   | Advanced header control (AHC) optional  | Advanced header control (AHC) optional  | Advanced header control (AHC) optional   |
| Grass pick-ups<br>Maize or corn headers   | 3.0, 4.0, 4.5 m<br>---   | 3.0, 4.0, 4.5 m<br>--   | 3.0, 4.0, 4.5 m<br>--   | 3.0, 4.0, 4.5 m<br>---   |
| <b>Harvest channel</b>  |  |   |   |  |
| Width   | ---  | ---   | ---   | ---  |
| <b>Length of cut</b>  |  |   |   |  |
| Range   | 40 knives: 7-26 mm (0.275-1.0 in)<br>LOC / 1 mm (0.04 in) steps<br>48 knives: 6-22 mm (0.24-0.87 in)<br>LOC / 1 mm (0.04 in.) steps<br>56 knives: 5-19 mm (0.20 - 0.75 in)<br>LOC / 1 mm (0.04 in) steps | 40 knives: 7-26 mm (0.275-1.0 in)<br>LOC / 1 mm (0.04 in) steps<br>48 knives: 6-22 mm (0.24-0.87 in)<br>LOC / 1 mm (0.04 in) steps<br>56 knives: 5-19 mm (0.20 - 0.75 in)<br>LOC / 1 mm (0.04 in) steps | 40 knives: 7-26 mm (0.275-1.0 in)<br>LOC / 1 mm (0.04 in) steps<br>48 knives: 6-22 mm (0.24-0.87 in)<br>LOC / 1 mm (0.04 in) steps<br>56 knives: 5-19 mm (0.20 - 0.75 in)<br>LOC / 1 mm (0.04 in) steps<br>64 knives: 3-15 mm (0.12-0.59 in)<br>LOC / 1 mm (0.04 in.) steps | 40 knives: 7-26 mm (0.275-1.0 in)<br>LOC / 1 mm (0.04 in) steps<br>48 knives: 6-22 mm (0.24-0.87 in)<br>LOC / 1 mm (0.04 in) steps<br>56 knives: 5-19 mm (0.20 - 0.75 in)<br>LOC / 1 mm (0.04 in) steps<br>64 knives: 3-15 mm (0.12-0.59 in)<br>LOC / 1 mm (0.04 in) steps |
| <b>Feeding system/Feedrolls</b>   |  |   |   |  |
| Feed roll frame opening<br>Number   | Swing away, 37-45 degree (angle)<br>Four   | Swing away, 37-45 degree (angle)<br>Four  | Swing away, 37-45 degree (angle)  | Swing away, 37-45 degree (angle)<br>Four   |
| Metal detector<br>Width, front  | Standard<br>Stone detector is optional<br>660 mm   | Standard<br>Stone detector is optional<br>660 mm  | Standard<br>Stone detector is optional<br>660 mm  | Standard<br>Stone detector is optional<br>660 mm   |
| Standard feed roll drive<br>Optional feed roll drive  | Hydro feedroll drive IVLOC standard<br>Infinitely variable header drive speed standard<br>---  | Hydro feedroll drive IVLOC standard<br>Infinitely variable header drive speed standard<br>---   | Hydro feedroll drive IVLOC standard<br>Infinitely variable header drive speed standard<br>---   | Hydro feedroll drive IVLOC standard<br>Infinitely variable header drive speed standard<br>---  |
| <b>Cutterhead</b>   |  |   |   |  |
| Type<br>Knife drum width<br>Knife drum diameter<br>Speed at rated engine speed<br>Knife types available (crop)<br>Number of knives                              | Dura-Drum™ cutterhead<br>680 mm<br>668 mm<br>1100 rpm<br>Straight - grass<br>Curved - corn<br>40 - 48 - 56   | Dura-Drum™ cutterhead<br>680 mm<br>668 mm<br>1100 rpm<br>Straight - grass<br>Curved - corn<br>40 - 48 - 56  | Dura-Drum™ cutterhead<br>1100 rpm / 1200 (Option)   | Dura-Drum™ cutterhead<br>680 mm<br>668 mm<br>1100 rpm / 1200 (Option)<br>Straight - grass<br>Curved - corn<br>40 - 48 - 56 - 64  |
| <b>Knife sharpening system</b>  |  |   |   |  |
| Reverse rotation<br>Automatic from cab<br>Reverse drive<br>Reverse speed  | Yes<br>Yes, remote from cab<br>Standard<br>---   | Yes<br>Yes, remote from cab<br>Standard<br>---  | Yes<br>Yes, remote from cab<br>Standard<br>---  | Yes<br>Yes, remote from cab<br>Standard<br>---   |
| <b>Kernel processor</b>   |  |   |   |  |
| Type<br>Quick-change  | Serrated roller<br>Quick kernel processor - swing in/<br>swing out   | Serrated roller<br>Quick kernel processor - swing in/<br>swing out  | Serrated roller<br>Quick kernel processor - swing in/<br>swing out  | Serrated roller<br>Quick kernel processor - swing in/<br>swing out   |
| <b>Serrated roller (kernel processor)</b>   |  |   |   |  |
| Maize, roll teeth number (speed differential)<br>Wholecrop, roll teeth number (speed differential)<br>Sorghum, roll teeth number (speed differential)<br>Weight | 118 [24% / 3%]<br>178 [32%]<br>238 [32%]<br>320 kg   | 118 [24% / 32%]<br>178 [32%]<br>238 [32%]<br>320 kg   | 118 [24% / 32%]<br>178 [32%]<br>238 [32%]<br>320 kg   | 118 [24% / 32%]<br>178 [32%]<br>238 [32%]<br>320 kg  |
| <b>Disc type (kernel processor)</b>   |  |   |   |  |
| Number of discs (top/bottom)<br>Diameter of discs<br>Weight   | 15/14 + 2*1/2<br>240 mm<br>380 kg  | 15/14 + 2*1/2<br>240 mm<br>380 kg   | 15/14 + 2*1/2<br>240 mm<br>380 kg   | 15/14 + 2*1/2<br>240 mm<br>380 kg  |
| <b>Blower/Crop accelerator</b>  |  |   |   |  |
| Rotor Diameter / Width<br>Number of blades<br>Rotor Speed [rpm]   | 560 / 540 mm<br>10<br>1800   | 560 / 540 mm<br>10<br>1800  | 560 / 540 mm<br>10<br>1800  | 560 / 540 mm<br>10<br>1800   |
| <b>Spout</b>  |  |   |   |  |
| Rotation  | 210°   | 210°  | 210°  | 210°   |



| 8500   | 8600   | 8700   | 8800   |
|--|--|--|--|
| Infinitely variable length-of-cut (IVLOC™) standard<br>AutoLOC™ optional - use with HarvestLab   | Infinitely variable length-of-cut (IVLOC™) standard<br>AutoLOC™ optional - use with HarvestLab   | Infinitely variable length-of-cut (IVLOC™) standard<br>AutoLOC™ optional - use with HarvestLab   | Infinitely variable length-of-cut (IVLOC™) standard<br>AutoLOC™ optional - use with HarvestLab   |
| AutoTrac™ optional   | AutoTrac™ optional   | AutoTrac™ optional   | AutoTrac™ optional   |
| Advanced header control (AHC) optional   | Advanced header control (AHC) optional   | Advanced header control (AHC) optional   | Advanced header control (AHC) optional   |
| 3.0, 4.0, 4.5 m<br>---   | 3.0, 4.0, 4.5 m<br>---   | 3.0, 4.0, 4.5 m<br>---   | 3.0, 4.0, 4.5 m<br>---   |
| ---  | ---  | ---  | ---  |
| 40 knives: 7-26 mm (0.275-1.0 in) LOC / 1 mm (0.04 in) steps<br>48 knives: 6-22 mm (0.24-0.87 in) LOC / 1 mm (0.04 in) steps<br>56 knives: 5-19 mm (0.20 - 0.75 in) LOC / 1 mm (0.04 in) steps<br>64 knives: 3-15 mm (0.12-0.59 in) LOC / 1 mm (0.04 in) steps | 40 knives: 7-26 mm (0.275-1.0 in) LOC / 1 mm (0.04 in) steps<br>48 knives: 6-22 mm (0.24-0.87 in) LOC / 1 mm (0.04 in) steps<br>56 knives: 5-19 mm (0.20 - 0.75 in) LOC / 1 mm (0.04 in) steps<br>64 knives: 3-15 mm (0.12-0.59 in) LOC / 1 mm (0.04 in) steps | 40 knives: 7-26 mm (0.275-1.0 in) LOC / 1 mm (0.04 in) steps<br>48 knives: 6-22 mm (0.24-0.87 in) LOC / 1 mm (0.04 in) steps<br>56 knives: 5-19 mm (0.20 - 0.75 in) LOC / 1 mm (0.04 in) steps<br>64 knives: 3-15 mm (0.12-0.59 in) LOC / 1 mm (0.04 in) steps | 40 knives: 7-26 mm (0.275-1.0 in) LOC / 1 mm (0.04 in) steps<br>48 knives: 6-22 mm (0.24-0.87 in) LOC / 1 mm (0.04 in) steps<br>56 knives: 5-19 mm (0.20 - 0.75 in) LOC / 1 mm (0.04 in) steps<br>64 knives: 3-15 mm (0.12-0.59 in) LOC / 1 mm (0.04 in) steps |
| Swing away, 37-45 degree (angle)<br>Four<br>Standard<br>Stone detector is optional<br>660 mm   | Swing away, 37-45 degree (angle)<br>Four<br>Standard<br>Stone detector is optional<br>830 mm   | Swing away, 37-45 degree (angle)<br>Four<br>Standard<br>Stone detector is optional<br>830 mm   | Swing away, 37-45 degree (angle)<br>Four<br>Standard<br>Stone detector is optional<br>830 mm   |
| Hydro feedroll drive IVLOC standard<br>Infinitely variable header drive speed standard<br>---  | Hydro feedroll drive IVLOC standard<br>Infinitely variable header drive speed standard<br>---  | Hydro feedroll drive IVLOC standard<br>Infinitely variable header drive speed standard<br>---  | Hydro feedroll drive IVLOC standard<br>Infinitely variable header drive speed standard<br>---  |
| Dura-Drum™ cutterhead<br>680 mm<br>670 mm<br>1100 rpm / 1200 (Option)<br>Straight - grass<br>Curved - corn<br>40 - 48 - 56 - 64  | Dura-Drum™ cutterhead<br>850 mm<br>670 mm<br>1100 rpm / 1200 (Option)<br>Straight - grass<br>Curved - corn<br>40 - 48 - 56 - 64  | Dura-Drum™ cutterhead<br>850 mm<br>670 mm<br>1100 rpm / 1200 (Option)<br>Straight - grass<br>Curved - corn<br>40 - 48 - 56 - 64  | Dura-Drum™ cutterhead<br>850 mm<br>670 mm<br>1100 rpm / 1200 (Option)<br>Straight - grass<br>Curved - corn<br>40 - 48 - 56 - 64  |
| Yes<br>Yes, remote from cab<br>Standard<br>---   | Yes<br>Yes, remote from cab<br>Standard<br>---   | Yes<br>Yes, remote from cab<br>Standard<br>---   | Yes<br>Yes, remote from cab<br>Standard<br>---   |
| Serrated roller  | Serrated roller  | Serrated roller  | Serrated roller  |
| Quick kernel processor - swing in/swing out  | Quick kernel processor - swing in/swing out  | Quick kernel processor - swing in/swing out  | Quick kernel processor - swing in/swing out  |
| 118 [24% / 3 %]<br>178 [32%]<br>238 [32%]<br>320 kg  | 118 [24% / 32%]<br>178 [32%]<br>238 [32%]<br>360 kg  | 118 [24% / 32%]<br>178 [32%]<br>238 [32%]<br>360 kg  | 118 [24% / 32%]<br>178 [32%]<br>238 [32%]<br>360 kg  |
| 15/14 + 2*1/2<br>240 mm<br>380 kg  | 17/16 + 2*1/2<br>240 mm<br>420 kg  | 17/16 + 2*1/2<br>240 mm<br>420 kg  | 17/16 + 2*1/2<br>240 mm<br>420 kg  |
| 560 / 540 mm<br>10<br>1800   | 560 / 620 mm<br>10<br>1800   | 560 / 620 mm<br>10<br>1800   | 560 / 620 mm<br>10<br>1800   |
| 210°   | 210°   | 210°   | 210°   |

# Model specifications

| MODEL                               | 8100                    | 8200                    | 8300 - New for MY2016   | 8400                    |
|-------------------------------------|-------------------------|-------------------------|-------------------------|-------------------------|
| Reach from Centre Line (Optional)   | 4.73 (5.87, 6.71) m     |                         |                         |                         |
| <b>Maintenance Vehicle</b>          |                         |                         |                         |                         |
| With front tyres                    | 710/70R42               | 710/70R42               | 710/70R42               | 710/70R42               |
| With rear tyres                     | 620/60R30               | 620/60R30               | 620/60R30               | 620/60R30               |
| Transport length (without header)   | 6.5 m                   | 6.5 m                   | 6.5 m                   | 6.5 m                   |
| Transport width (without header)    | 3-3.5 m                 | 3-3.5 m                 | 3-3.5 m                 | 3-3.5 m                 |
| Transport height (to cab roof)      | 3.89 m                  | 3.89 m                  | 3.89 m                  | 3.89 m                  |
| Working height (maximum)            | Height to spout: 6.60 m | Height to spout: 6.60 m | Height to spout: 6.60 m | Height to spout: 6.60 m |
| Approximate weight (without header) | ---                     | ---                     | ---                     | ---                     |



The minimum transport distance is 3 m when 710/75R42 tyres are fitted to standard body machines (8100-8500). On the same tyres the distance increases to 3.1 m with wide body machines (8600-8800)

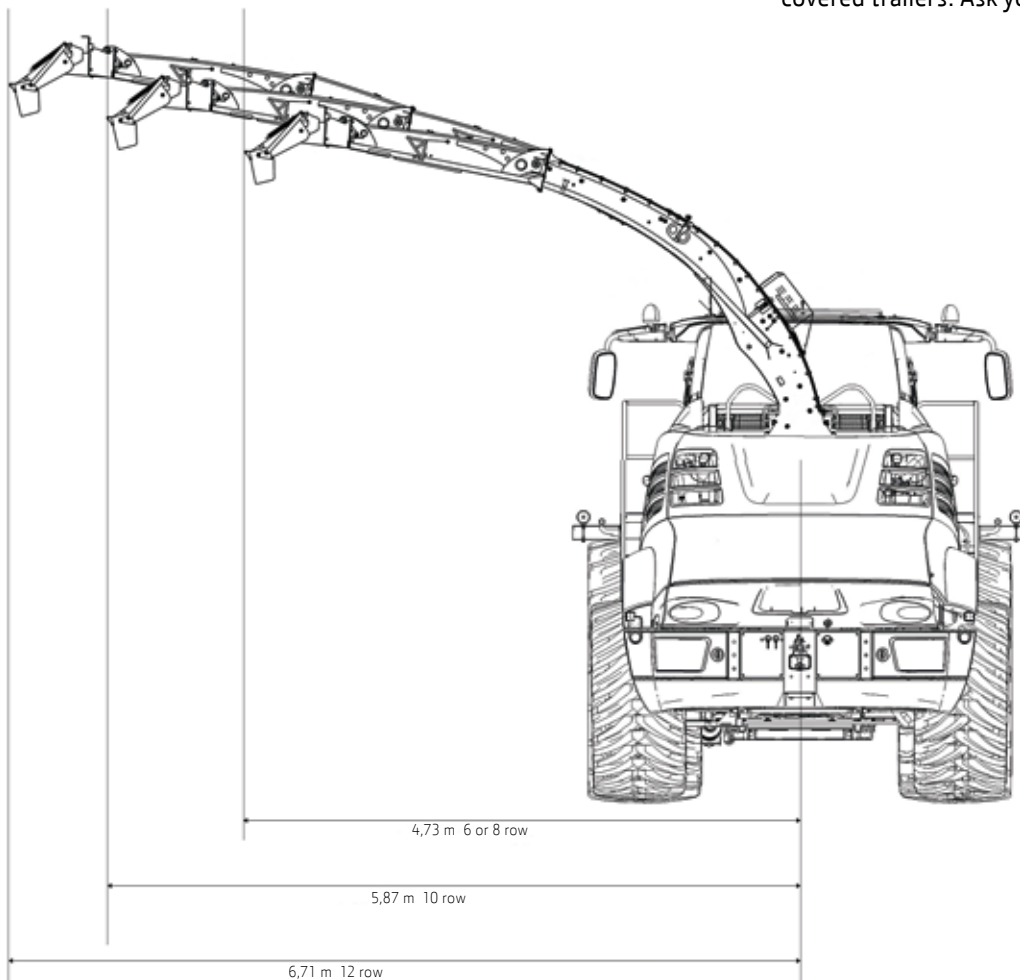
| Tyres     | Width/m            |                |
|-----------|--------------------|----------------|
|           | Standard 8100-8500 | Wide 8600-8800 |
| 710/75R42 | 3.0                | 3.1            |
| 800/70R38 | 3.2                | 3.29           |
| 900/60R42 | 3.49               | 3.49           |

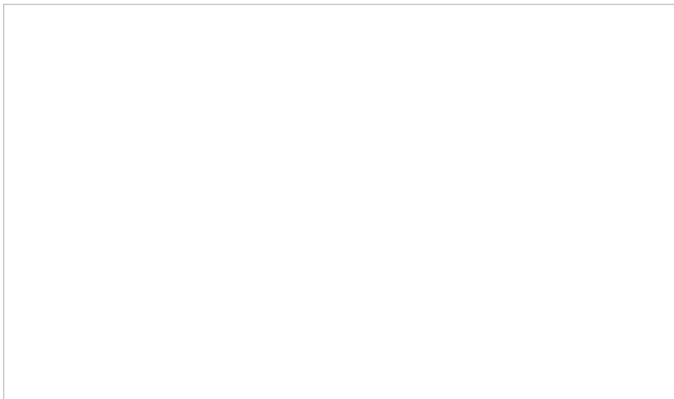


| 8500                    | 8600                    | 8700                    | 8800                    |
|-------------------------|-------------------------|-------------------------|-------------------------|
| 710/70R42               | 710/70R42               | 710/70R42               | 710/70R42               |
| 620/60R30               | 620/60R30               | 620/60R30               | 620/60R30               |
| 6.6 m                   | 6.6 m                   | 6.6 m                   | 6.6 m                   |
| 3-3.7 m                 | 3.1-3.7 m               | 3.1-3.7 m               | 3.1-3.7 m               |
| 3.89 m                  | 3.89 m                  | 3.89 m                  | 3.89 m                  |
| Height to spout: 6.60 m | Height to spout: 6.60 m | Height to spout: 6.60 m | Height to spout: 6.60 m |
| ---                     | ---                     | ---                     | ---                     |

Spout extensions are available so you can get the optimum discharge distance for harvesting with large, rotary headers. The end of the longest, 12 row extension automatically folds for safe storage during transport.

A long, flat spout is also available for more accurate loading of covered trailers. Ask your dealer for details.





 **JOHN DEERE**  
FINANCIAL

John Deere Financial – A range of finance options as powerful as our products.  
Contact your John Deere dealer for a comprehensive range of finance options to suit the specific needs of your business.  
Not available in all countries please consult your local dealer.

This literature has been compiled for worldwide circulation. While general information, pictures and descriptions are provided, some illustrations and text may include finance, credit, insurance, product options and accessories not available in all regions. Please contact your local dealer for details. John Deere reserves the right to change specification and design of products described in this literature without notice. The green and yellow color scheme, the leaping deer logo and the JOHN DEERE word mark are trademarks of Deere & Company.

[JohnDeere.com](http://JohnDeere.com)