



COMPACT EXCAVATOR SALES LLC

400 Production Court
 Elizabethtown, KY 42701
 Phone: 800.538.1447 Fax 270.737.0419
 www.ihices.com

9VXE³



Operability

- Equipped with wide spanner



With the widest ranging expandable tracks in it's class , the 9VXE-3 can access tight spaces by retracting the tracks to 27.5" and expanding to 37.5" for greater stability and performance.

- Direct control system



- Extremely small rear-end radius

The rear-end radius of 19" enables the 9VXE-3 to swing freely without worry of collision allowing a safer working conditions.

- Retractable backfill blade extension (optional)



The blade width can be easily adjusted, offering you the flexibility to fit the job. Adjustment is simple and easy with the two fastening pins.

- Powerful bucket digging force : 2,360 lbs.
- Easy access to operator's seat
- Smallest front swing radius in its class : 4'0"

Easy Maintenance

- Emission Free Motor
- Auxiliary Attachment Hook Up Standard



- Segmented boom cylinder hose design makes replacement easier



Durability

- Thick rubber shoe provides higher durability
- Rugged steel-pressed engine cover
- Highly durable backfill blade
- Bucket cylinder hose built inside the arm

Safety

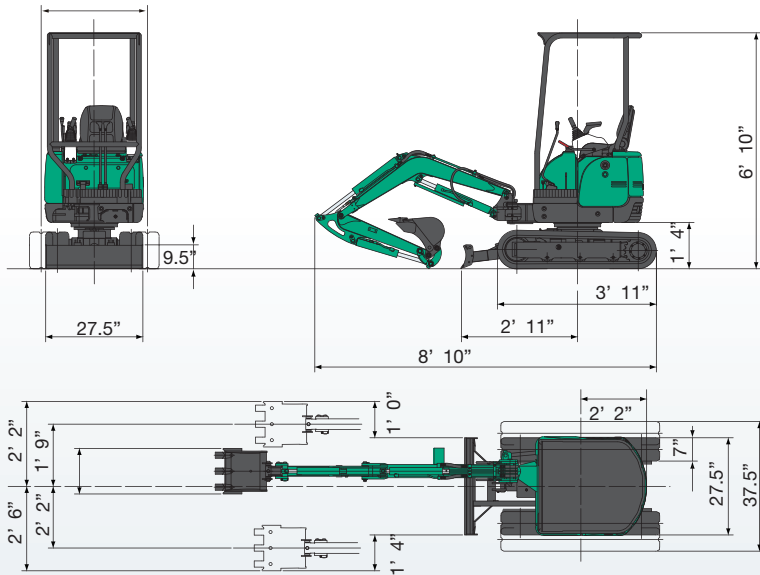
- Swing motor with automatic parking brake
- Gate lock system as standard equipment

9VXE³ Mini Excavator

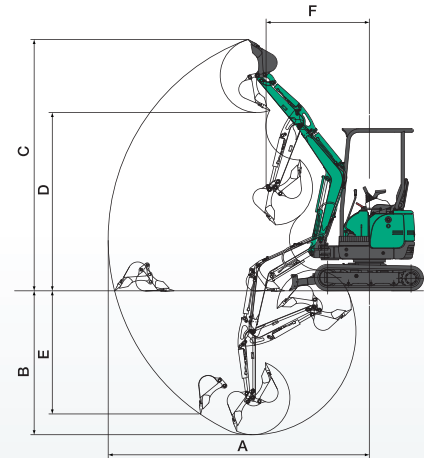
Standard Bucket Capacity : ISO .8 cu. ft.



■ Dimensions



■ Working Range



	4-Post Canopy
A Max. digging radius	9'9"
B Max. digging depth	5'2"
C Max. digging height	9'0"
D Max. dumping height	6'6"
E Max. vertical digging depth	3'10"
F Min. front turning radius	4'0"
At right boom swing	3'1"

■ 9VX3 Specifications

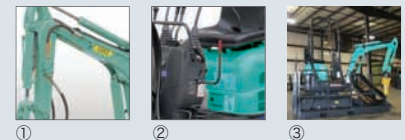
Performance		Boom swing system	
Bucket capacity	.8 cu. ft.	Type	Boom offset with hydraulic cylinder
Bucket width	12"	Swing angle (L/R)	50°/90°
Operating weight	2,060 lbs.	Hydraulic system	
Transportation weight	1,885 lbs.	Pressure	2,350 psi
Swing speed	8.7 rpm	Pump • type/hydraulic flow	2 Gear • 2.93/min × 2
Travel speed (low/high)	1.1/2.2 mph	Dozer blade	
Gradeability	30°	Size	27.5"×11"
Ground pressure	3.8 psi	Lift above ground / Drop below ground	9"/8"
Max bucket digging force	2,360 lbs.	Max auxiliary flow	
Motor		Auxiliary line	2.9 gal/min
Model	Baldor 5 hp		
Rated output	208-480 volt		

■ Options

- Bucket
- 8"
- 12"(standard)
- 18" 16"

- Auxiliary piping ①
- Gate lock lever ②
- Shipping Crate ③

- Phase/Volt
- Single Phase 208 or 230 (8/3 so cord* std)
- Three Phase 208 volt (8/4 so cord)
- Three Phase 230 volt (8/4 so cord)
- Three Phase 480 volt (8/4 so cord)



Distributed by **Compact Excavator Sales LLC**

400 Production Court, P.O. Box 667 • Elizabethtown, KY 42702-0667 • Phone: 1-800-538-1447 • Fax: 270-737-0419

www.ihices.com