

**Operator-friendly, Robust, Powerful,
Safety-emphasized.**



9VX³

**The 1.7-ton zero tail swing machine
with spanner possible to access
1m wide areas.**



17VX³

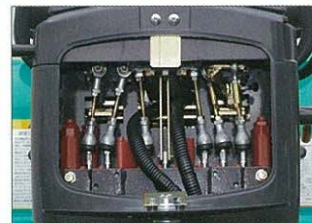
Operability

- Equipped with wide spanner



With the widest ranging spanners in its class, the machine can access into tight spaces to ensure a very high level of work performance.

- Direct control system



- Extremely small rear-end radius
The rear-end radius of 485mm enables the 9VX3 to swing freely without worry to collide backwards under safer working conditions.

- Retractable dozer blade extension (optional)



The blade width can be easily adjusted, offering you the flexibility to fit the job. Adjustment is simple and easy with the two fastening pins.

- Powerful bucket digging force : 10.6kN
- Easy access to operator's seat
- Smallest front swing radius in its class : 950mm

Easy Maintenance

- Wide, fully opening engine-cover enables ease of maintenance



- Highly anti-corrosive aluminum radiator



- Segmented boom cylinder hose design makes replacement easier



Durability

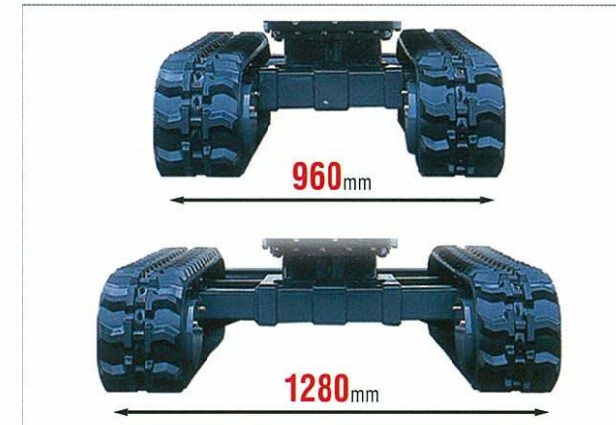
- Thick rubber shoe provides higher durability
- Rugged steel-pressed engine cover
- Highly durable blade
- Bucket cylinder hose built inside the arm

Safety

- Swing motor with automatic parking brake
- Gate lock system as standard equipment

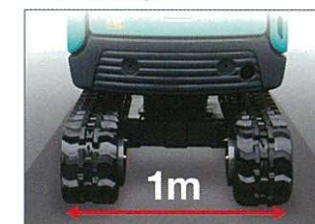
Operability

- Equipped with wide spanner



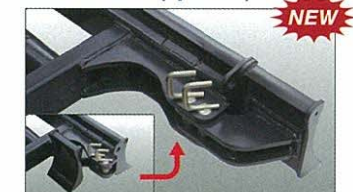
With the widest ranging spanners in its class, the machine can access into tight spaces to ensure a very high level of work performance.

- Accessible to 1m wide narrow spaces



The upper structure has a width of 980mm. It can be into space as narrow as 1 meter when the undercarriage is retracted.

- Quick pattern changer (optional)
Retractable dozer blade extension (optional)



The blade width can be easily adjusted, offering you the flexibility to fit the job. Adjustment is simple and easy with the two fastening pins.

- Powerful bucket digging force : 16.4kN
- Excellent work ability for close-skimming
- Equipped with 3-pump system
- Comfortable joystick control with armrest
- Smallest front radius in its class : 1280mm

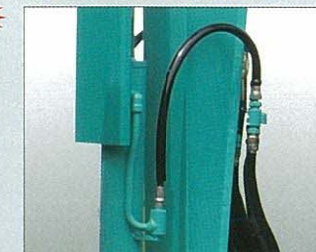
Easy Maintenance

- Wide, fully opening engine-cover enables ease of maintenance



The fully opening engine cover achieves simply maintenance. And the radiator and oil cooler are made of aluminum for super corrosion resistance.

- Segmented boom cylinder hose design makes replacement easier



Durability

- Thick rubber shoe provides higher durability
- Rugged steel-pressed, engine cover
- Highly durable blade
- Bucket cylinder hose built inside the arm

Safety

- Swing motor with automatic parking brake
- Gate lock system as standard equipment
- 4-Post canopy (ROPS) as standard equipment

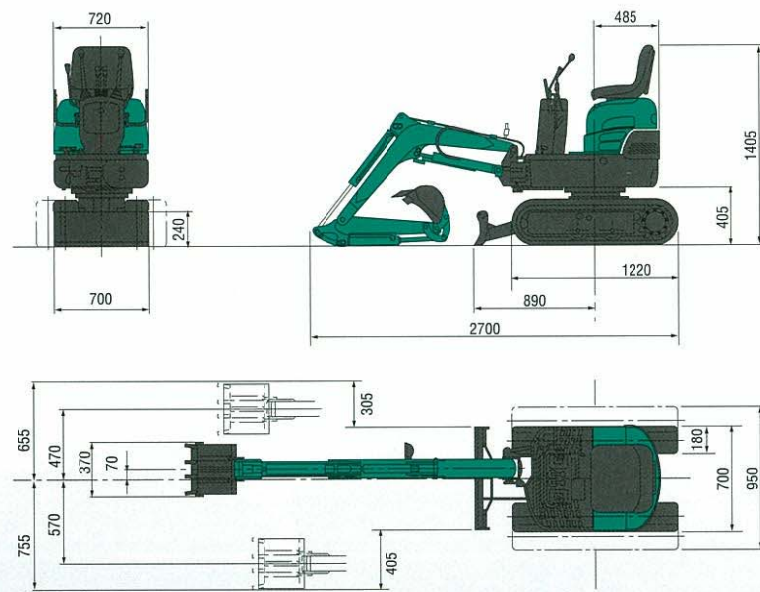
- Corrosion-free, resin fuel-tank
- Highly anti-corrosive aluminum radiator



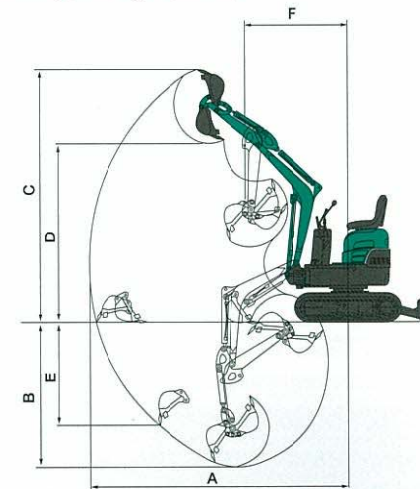
9VX3 Mini Excavator

Standard Bucket Capacity : ISO 0.022m³

■ Dimensions (Unit:mm)



■ Working Range (Unit:mm)



A Max. digging radius	2980 (3190)
B Max. digging depth	1570 (1770)
C Max. digging height	2755 (2950)
D Max. dumping height	1970 (2150)
E Max. vertical digging depth	1175 (1400)
F Min. front turning radius	1220 (1320)
At right boom swing	950 (1030)

※ () : Figures for long arm

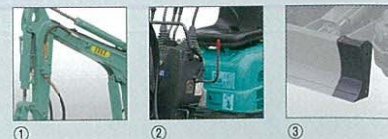
■ 9VX3 Specifications

Performance		Boom swing system	
Bucket capacity	0.022m ³	Type	Boom offset with hydraulic cylinder
Bucket width	370mm	Swing angle (L/R)	90°/50°
Operating weight	965kg	Hydraulic system	
Transportation weight	890kg	Pressure	16.2MPa (165kgf/cm ²)
Swing speed	8.7min ⁻¹	Pump hydraulic flow	11.1L/min×2
Travel speed (low/high)	1.7/3.5km/h	Dozer blade	
Gradeability	58% (30°)	Size	700mm×240mm
Ground pressure	26.2kPa (0.27kgf/cm ²)	Lift above ground / Drop below ground	220mm/150mm
Max bucket digging force	10.6kN (1086kgf)	Max auxiliary flow	
Engine		Auxiliary line	11L/min
Model	Yanmar 2TNV70		
Rated output	7.3kW/2400min ⁻¹ (9.9PS/2400rpm)		
Fuel tank capacity	8.5L		

■ Options

- Bucket**
- 0.011m³/Digging bucket (220mm width)
 - 0.017m³/Long arm bucket (320mm width)

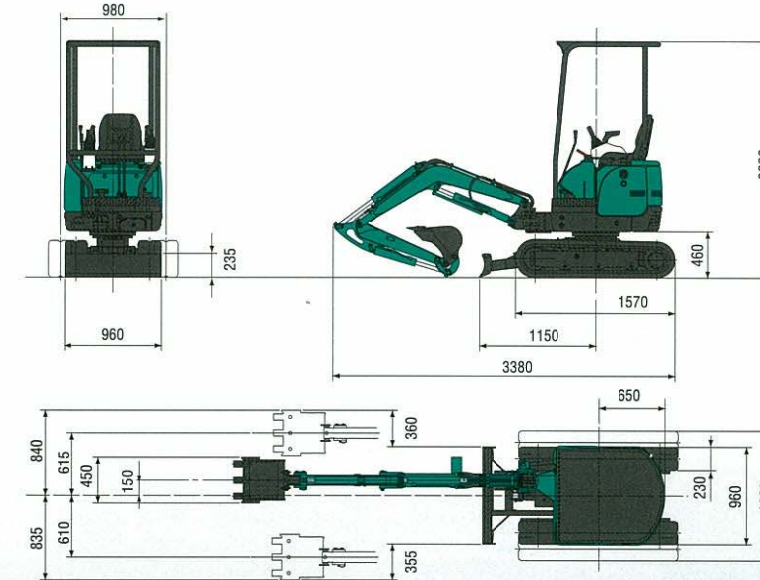
- Auxiliary piping ①
- Gate lock lever ②
- Additional dozer blade ③
- Long arm (standard +200mm)
- Roll bar



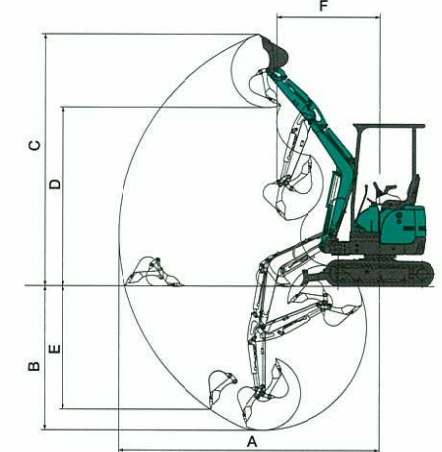
17VX3 Mini Excavator

Standard Bucket Capacity : ISO 0.044m³

■ Dimensions (Unit:mm)



■ Working Range (Unit:mm)



	4-Post canopy	2-Post canopy
A Max. digging radius	3760 (3990)	3760 (3990)
B Max. digging depth	2100 (2350)	2100 (2350)
C Max. digging height	3610 (3810)	3610 (3810)
D Max. dumping height	2560 (2760)	2560 (2760)
E Max. vertical digging depth	1770 (2010)	1770 (2010)
F Min. front turning radius	1490 (1580)	1490 (1580)
At right boom swing	1280 (1340)	1280 (1340)

※ () : Figures for long arm

■ 17VX3 Specifications

Performance		Boom swing system	
Bucket capacity	0.044m ³	Type	Boom offset with hydraulic cylinder
Bucket width	450mm	Swing angle (L/R)	80°/55°
Operating weight: 4-Post(Cabin)	1625kg (1595kg)	Hydraulic system	
Transportation weight: 4-Post(Cabin)	1550kg (1520kg)	Pressure	20.6MPa (210kgf/cm ²), 18.1MPa (185kgf/cm ²)
Swing speed	9.5min ⁻¹	Pump hydraulic flow	17.2L/min×2+12L/min
Travel speed (low/high)	2.1/4.0km/h	Dozer blade	
Gradeability	58% (30°)	Size	960mm×235mm
Ground pressure	26.2kPa (0.27kgf/cm ²)	Lift above ground / Drop below ground	275mm/310mm
Max bucket digging force	16.4kN (1670kgf)	Max auxiliary flow	
Engine		Auxiliary line	29L/min
Model	YANMAR 3TNV70		
Rated output	10.5kW/2300min ⁻¹ (14.3PS/2300 rpm)		
Fuel tank capacity	20L		

■ Options

- Bucket**
- 0.024m³/Digging bucket (300mm width)
 - 0.033m³/Long arm bucket (350mm width)
 - 0.055m³/Loading bucket (500mm width)

- Auxiliary piping ①
- 2-Post canopy ②
- Additional dozer blade ③
- Rubber pad for steel shoe
- Long arm (standard +250mm)
- Steel shoe (230mm)
- Additional counterweight (100kg)

