



D 201 RH
D 201 RHS
D 201 RHG
D 201 RHGS

D 250 RM
D 250 RMS
D 250 RMG
D 250 RMGS
D 250 RHG
D 250 RHGS

D 300 RM
D 300 RHG



D 250/300 R



D 201 R



www.ausa.com

AUSA Center, S.L.U. ● Ctra. de Vic, Km 2.8 - P.O.B. 194, 08243 Manresa - BARCELONA (ESPAÑA) Tel.: +34 93 874 73 11 E-mail: ausa@ausa.com



AUSA Madrid ● Pol. Ind. Coslada-Marconi 15-17, 28823 Coslada - MADRID (ESPAÑA) Tel.: +34 91 669 00 06 E-mail: ausa.madrid@ausa.com
AUSA France ● Z. I. Saint Charles-Rue de Zürich, 66000 PERPIGNAN (FRANCE) Tel.: +33 (0) 4 68 54 38 97 E-mail: ausa.france@ausa.com
AUSA Verkauf & Service Deutschland ● Heinrich - Welken Straße 5, 59069 HAMM - RHYERN (GERMANY) Tel.: +49 (0) 2385-9359362 E-mail: ausa.deutschland@ausa.com
BEIJING Rep. Office ● Address Room 527, HengXiang Building, Tuanjiehu Nanli, Chaoyang District. - Beijing 100026 CHINA
 Tel: 86-10-8597 1983 - Fax: 86-10-8597 1993 - E-mail: ausa.china@ausa.com

AUSA UK ● Sales: 07970639988 E-mail: ausa.uk@ausa.com
AUSA Northamerica Corp. ● E-mail: ausa.corp@ausa.com

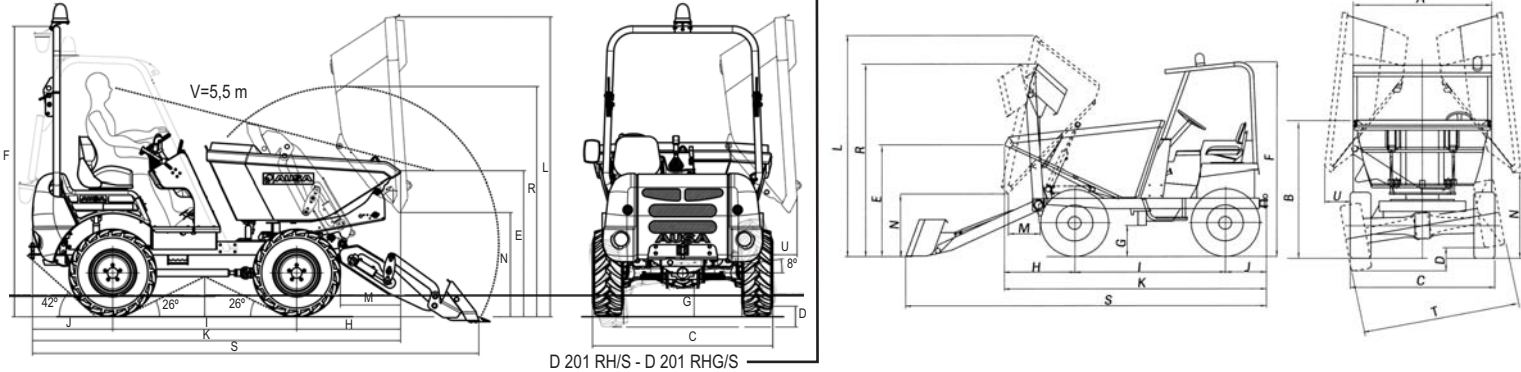
(Sede central AUSA-Manresa)

DIMENSIONS (mm)

	D 201 RH / S	D 201 RHG / S	D 250 RM / S	D 250 RMG / S D 250 RHG / S	D 300 RM	D 300 RHG
D 201 RH 2000 Kg	1565	1540	1840 / 1700	1568 / 1520	1840	1568
D 201 RHG 2000 Kg	1445	1545	1632 / 1560	1690 / 1605	1632	1690
D 250 RM 2500 Kg	1590 / 1750	1590 / 1750	1800 / 1800	1800 / 1800	1800	1800
D 250 RMG 2500 Kg	185	185	200 / 200	200 / 200	200	200
D 250 RHG 2500 Kg	1195	1295	1380 / 1305	1530 / 1445	1380	1530
D 300 RM 3000 Kg	2580	2580	2240 / 2240	2240 / 2240	2240	2240
D 300 RHG 3000 Kg	255	255	350 / 350	350 / 350	350	350
	885	925	993 / 807	926 / 842	993	926
	1640	1640	1730 / 1730	1730 / 1730	1730	1730
	715	715	500 / 500	500 / 500	500	500
	3020	3280	3231 / 3044	3164 / 2980	3231	3164
	2245	2665	2580 / 2550	2840 / 2885	2580	2890
	275	535	603 / 417	536 / 452	603	536
	570	930	570 / 720	1030 / 1105	570	1030
	- / 2045	- / 2045	2100 / 2100	2100 / 2100	2100	-
	- / 3980	- / 3980	4174 / 4174	4174 / 4174	4174	-
	1590	1590	1700 / 1700	1700 / 1700	1700	1700
	-	215	- / -	177 / 100	-	177

S : Dumper equipped with self-loading shovel

V: maximum visibility with the shovel fully retracted (patented system)



TECHNICAL SPECIFICATIONS

	D 201 RH / S	D 201 RHG / S	D 250 RM / S	D 250 RMG / S	D 250 RHG / S	D 300 RM	D 300 RHG
Load capacity (Kg)	2000		2500			3000	
Unloading system	Frontal hydraulic	Hydraulic, 180° rotating	Frontal hydraulic	Hydraulic, 180° rotating	Hydraulic, 180° rotating	Frontal hydraulic	Hydraulic, 180° rotating
Chassis	Rigid						
Hopper capacities (l)	Water	650	1290 (900 w/shovel)	1050 (850 w/shovel)	1050 (850 w/shovel)	1290	1050
	Levelled	960	1800 (1315 w/shovel)	1200 (950 w/shovel)	1200 (950 w/shovel)	1800	1200
	Heaped	1250	1950 (1500 w/shovel)	1400 (1200 w/shovel)	1400 (1200 w/shovel)	1950	1400
Engine	Diesel	KUBOTA V1505		Lombardini 9LD 626/2B2NR		ISUZU 4LE2	
	Power acc./SAE J 1995 (KW/HP)	22.7 / 30.8 (2600 rpm)		-		-	
	Power acc./SAE J 1349 (KW/HP)	-		-		33.8 / 46 (3000 rpm)	
	Power acc./DIN 70020 (KW/HP)	-		17.5 / 23.8 (2800 rpm)		-	
	N° of Cylinders	4		2		4	
	Cooling system	Water		Air		Water	
Drive	4 x 4 permanent Compen® System		4 x 4 permanent Compen® System (Models: RM, RMG, w/shovel) / 4 x 4 permanent (Models: RHG)				
Transmission	2-speed hydrostatic Electric gear inverter on the joystick		Mechanical, with 4 forward gears and 4 reverse		2-speed hydrostatic Electric gear inverter		Mechanical, with 4 forward gears and 4 reverse
Clutch	-		Dry single-disc ∅254 mm. Mechanically-driven		-		Dry single-disc ∅254 mm. Mechanically-driven
Engine starting system	Electric						
Speed (max.) (Km/h)	20						
Unladen weight (Kg)	1600 / 1800		1850 / 2050		1970 / 2170		2000
Gradient negotiable (with full load)	42%		35%		42%		38% / 36%
Hydraulic circuit	Gear pump of 8 cc Working pressure 190 bar		Gear pump of 10.6 cc. Working pressure 150 bar.			Working pressure 160 bar	
Tyres	Front	10.0/75-15.3 (10 PR)					
	Rear	10.0/75-15.3 (10 PR)					
External turning circle (mm)	4190		4500				
Steering	Hydraulic. Working pressure 80 bar.			Hydraulic. Working pressure 70 bar.			
Tank capacity (l)	Fuel	40			30		
	Hydraulic fluid	40		30			
Service brake	Sealed oil-immersed multidisc		Oil-immersed, multidisc, hydraulically operated		Hydraulic, drum-type, on front driving pinion	Oil-immersed, multidisc, hydraulically operated	Hydraulic, drum-type, on front driving pinion
Parking brake	Sealed oil-immersed multidisc		Mechanical, drum-type, on front driving pinion				

STANDARD EQUIPMENT

	Anti vandal system	Audible reverse warning	Ergonomic seat
Ergonomic seat w/ seat belt			
ROPS protection			
Rotating beacon			
Rear view mirror			
Self-loading shovel *	Volumetric capacity	180 l.	250 l.
	Load capacity (max.)	450 kg	

* (only RMS/RHS/RMGs/RHGS models)

OPTIONAL EQUIPMENT

	FOPS/ROPS	Second seat	Lighting equipment	FOPS/ROPS protective roof (Seat belt, rotating beacon, rear view mirror)
Back-hoe (only in self-loading shovel version)			Shovel teeth	
			Maximum digging deep: 2750 mm. Break out power: 3970 Kg. Transportation height: 2250 mm. Fast-attach system of the backhoe to the dumper. Operating site: 360° rotating seat. Weight: 900 Kg.	