

# DYNAPAC

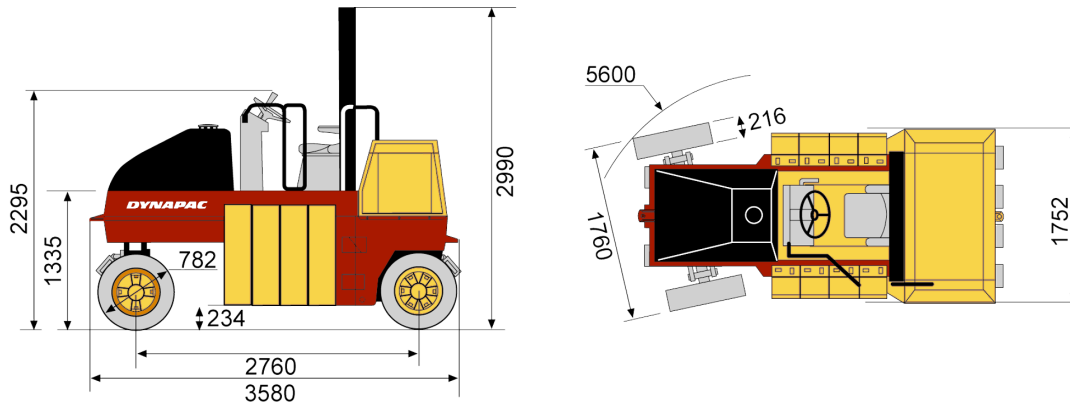
Part of the Atlas Copco Group

## CP142

### Pneumatic rollers



#### Technical data



#### Masses

	CP142
Operating mass (incl. ROPS)	6,000 kg
Operating mass (incl. ROPS) with 2 ballast boxes	8,000 kg
Operating mass (incl. ROPS) with 4 ballast boxes	10,000 kg
Operating mass (incl. ROPS) with 6 ballast boxes	12,000 kg
Operating mass (incl. ROPS) with 8 ballast boxes (option)	14,000 kg

#### Compaction

Rolling width	1,760 mm
Tyre overlap	12 mm
Wheel loads, without ballast	670 kg
Wheel loads, with 2 ballast boxes	890 kg
Wheel loads, with 4 ballast boxes	1,110 kg
Wheel loads, with 6 ballast boxes	1,330 kg
Wheel loads, with 8 ballast boxes (option)	1,560 kg
Tyre type (smooth)	7.50-15, 14 ply
Number of tyres	5 front, 4 rear
Wheel oscillation (°)	±3
Water spray system, type	Pressurized, electric pump
Water spray system, tank capacity	500 l
Water spray system, spray nozzle	one per tyre

#### Traction

Transmission	Hydrostatic, direct drive motors at rear tyres
Speed low	10 km/ h
Speed high	19 km/ h
Theor. gradeability	31 %

#### Engine

Manufacturer	Cummins
Model	QSB 3.3
Type	Water cooled turbo Diesel with After Cooler
Fuel tank capacity	140 l
Rated power	99 hp
Rated power	74 kW
Rated power @	2,200 rpm
Rated power (rating standard)	SAE J1995
Electrical system	12 V

#### Hydraulic system

Service brake	Hydrost. braking on drive wheels (rear)
Parking/ Emergency brake	Spring - applied on drive wheels (rear)

Find your local dealer at [www.dynapac.com](http://www.dynapac.com)

We reserve the right to change specifications without notice. Photos and illustrations do not always show standard versions of machines. The above information is a general description only, all informations are supplied without liability.