



FOR NEW EQUIPMENT SALES, CALL

800.958.2555

TO SPEAK WITH AN ALTEC REPRESENTATIVE
or visit us online at altec.com



NON-INSULATING TELESCOPIC
ARTICULATING AERIAL DEVICE

AT237S

FEATURES

- Non-Insulating Telescopic Articulating Aerial Device
- Compensated Articulating Arm
- Hydraulic Boom Extension
- Pendant Lower Controls
- Hydraulic Platform Leveling System
- 180° Platform Rotation
- Electric/Hydraulic Proportional Controls
- Engine Start/Stop at Upper and Lower Controls
- Manual Lowering Valve
- Open Center Hydraulic System
- 120 VAC Circuit at Boom Tip with GFI Outlet in the Platform
- Minimum Chassis Requirements of 19,500 lb (8,845 kg) GVWR 84 in CA

OPTIONS

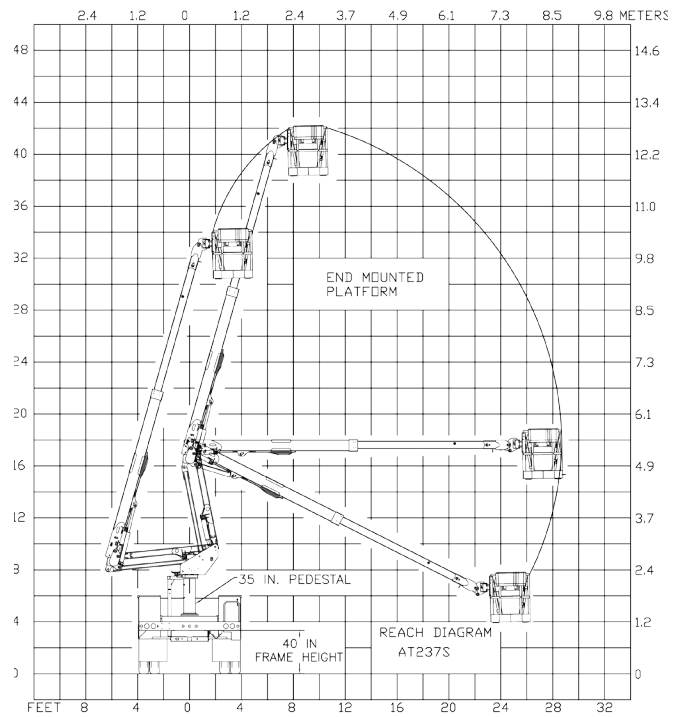
- Secondary Stowage System
- Airline to Platform
- Inverter for 110V Power
- Multiple Body Configurations are Available

Recommended safety equipment, available through Altec Supply, include a fall protection system, and wheel chocks.



SPECIFICATIONS	Ground to Bottom of Platform	38.6 ft (11.7 m)
	Working Height*	43.6 ft (13.3 m)
	Maximum Side Reach (at Platform Height)	28.7 ft (8.7 m) 15.3 ft (4.7 m)
	Stowed Travel Height*	10.2 ft (3.1 m)
	Platform Capacity	400 lb (181.4 kg)
	Platform Dimensions (End-Mount, Nominal)	36 x 60 x 45 in (914 x 1,524 x 1,143 mm)
	Lower Boom Articulation	-25 to 75°
	Articulating Arm Articulation	-6 to 79°
	Rotation	Non-Continuous, 370°
	*Based on a 40 in (1016 mm) chassis frame height.	

REACH DIAGRAM



LARGE 36 X 60 X 45 IN PLATFORM FOR EXTRA WORKING SPACE AND MATERIALS



180 DEGREE PLATFORM ROTATION



FULLY PROPORTIONAL ELECTRIC/HYDRAULIC CONTROLS



For more complete information on Altec products and services, visit us on the web at www.altec.com. Material and specifications are subject to change without notice. Featured units in photos may include optional features. Please contact an Altec representative for all available options. Altec® and the Altec logo are registered trademarks of Altec Inc. in the United States and various other countries and may not be used without permission. © 2015 Altec Inc. All Rights Reserved. AIOSAT237S-1015-v1