

The new Pavers BOMAG BF 600 C-2

Technical Data



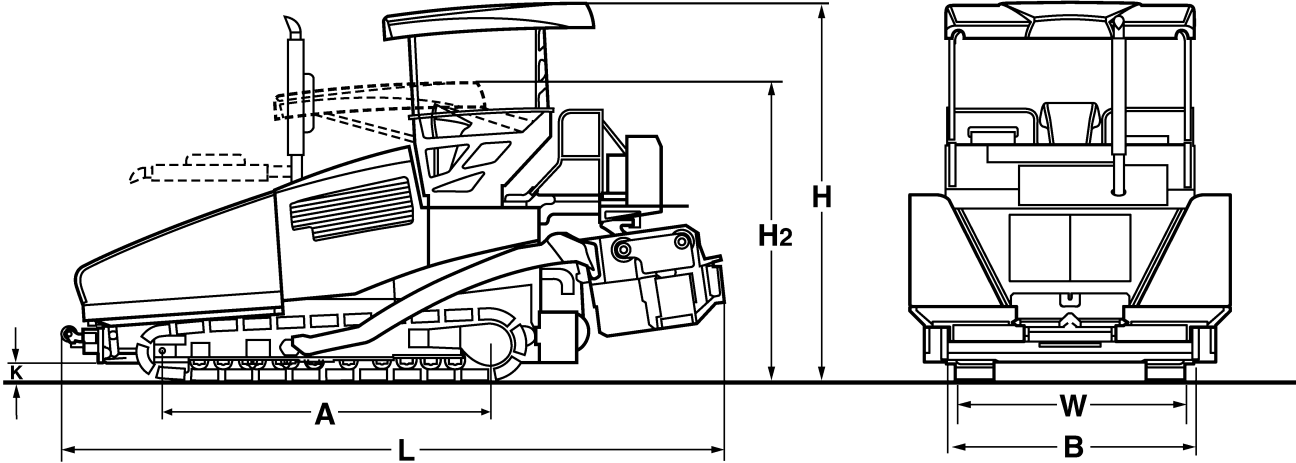
Technical Data BF 600 C-2

	BF 600 C-2
Weight CECE	
With S500 screed / with S600 screed	19500 kg / 19800 kg
Dimensions	
Transport length	6360 mm
Transport width S500 / S600	2550 mm / 3000 mm
Transport height	3061 mm
Travel characteristics	
Travel speed	0 – 4 km/h
Working speed	0 – 25 m/min variable
Drive	
Engine manufacturer	MTU
Type	4R1000 (Tier 4 final)
Cooling	liquid
Number of cylinders /Displacement	4 / 5100 cm ³
Rated power ISO 3046	115 kW / 156 hp
Crawler assembly	
Total length	2975 mm
Width	300 mm
Hopper	
Capacity	7,0 m ³
Width (wings open)	3330 mm
Width (wings closed)	2270 mm
Length	1800 mm
Filling height (middle)	590 mm
Conveyor	
Number	2
Rotary speed	64 U/min
Individual control	Standard
Reversing operation	Standard
Auger	
Number	2
Auger diameter	350 mm
Rotary speed	117 U/min
Reversing operation	Standard
Screed	
	S 500 / S 600
Basic width retracted	2550 mm / 3000 mm
Basic width extended	5000 mm / 6000 mm
Min. width with reduction skids	1800 mm / 2300 mm
Mat thickness	300 mm
Screed plate depth	400 mm
Screed plate thickness	15 mm
Heating	electric
Crown	-2,5 ... +4,5%
Tmaper frequency	0-29 Hz
Vibration frequency	20-58 Hz
Basic weight	3900 kg / 4200 kg
Max. working width	8000 mm
Filling capacities	
Fuel	285 l
Hydraulic oil	160 l

Technical modifications reserved. Machines may be shown with options.



Dimensions



Dimensions in mm

	A	B	H	H2	L	W
BF600 C-2 S500/S600	2975	2550/3000	3910	3061	6360	2255




Scope of supply

Standard

Operator compartment

- SIDEVIEW
- Driver's seat: with swivel and side- shift
- Dashboard protection
- Hydraulic hinged roof
- Digital display for machine Management


Tractor

-  ECOMODE
- Separate control of hopper wings
- Cleaning kit
- Hydraulic, height adjustable auger
- Track scraper
- 2 proportionally controlled and reversible wear-resistant cast augers; screw blades separately replaceable
- 2 independent and reversible scraper belts; high-wear resistant plates
- Rubber track pads

Screed

- L.C.S. Screed relief and traction increase system
- Screed temperature control

-  Aluminium heating plates

-  Automatic screed heating
- Hydraulic screed lock
- Crown adjustment
- Side control of auger/scraper belts

Other

- Tools
- 8 work lights
- 20/30 kVA generator
- Socket 2x240 volt

- 2 years warranty incl.  heating plates

Optional

Operator compartment

- Hydraulic/electric movable SIDEVIEW platform
- Side windscreened platform
- Seat warmer
- Asphalt steam extraction

Tractor

- Central lubrication system
- Optional paint finish
- Biologically degradable hydraulic oil
- Hydraulic hopper front flap
- Hydraulic suspended and dampened push rollers

Screed

- Hydraulic crown adjustment
- Hinged side plates
- Heated side plates
- L.C.S. half-sided
- S 500 + S 600 extensions:
 - 250 mm
 - 500 mm
 - 750 mm
 - 1250 mm
- Reduction shoes
- Edge shaper 45°/60°

Levelling systems

- Height and cross-slope sensing by means of ultrasonic or mechanical sensors

Other

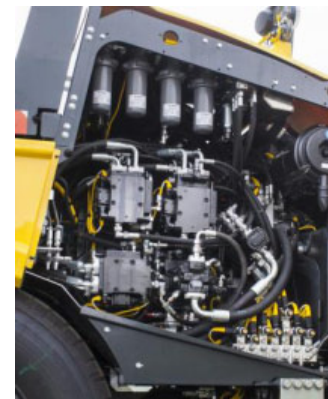
- Fleet management BOMAG TELEMATIC
- Moon-light balloon



Heat up up to 60% faster – unique **MAGMALIFE** heating system



Set up times reduced by up to 48% - with **BOMAG QUICK COUPLING SYSTEM**



Fuel saving up to 17% - demand driven hydraulics - the **BOMAG ECOMODE**