

CM 420

Gru a torre

Tower crane

Grue a tour

Thkranurmdre

Scheda tecnica

Technical data sheet

Spécifiques techniques

Technische Spezifikationen

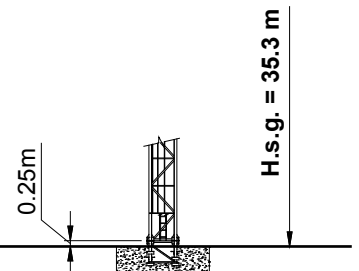
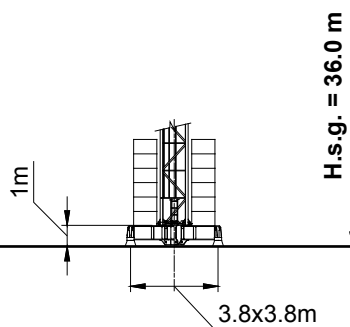
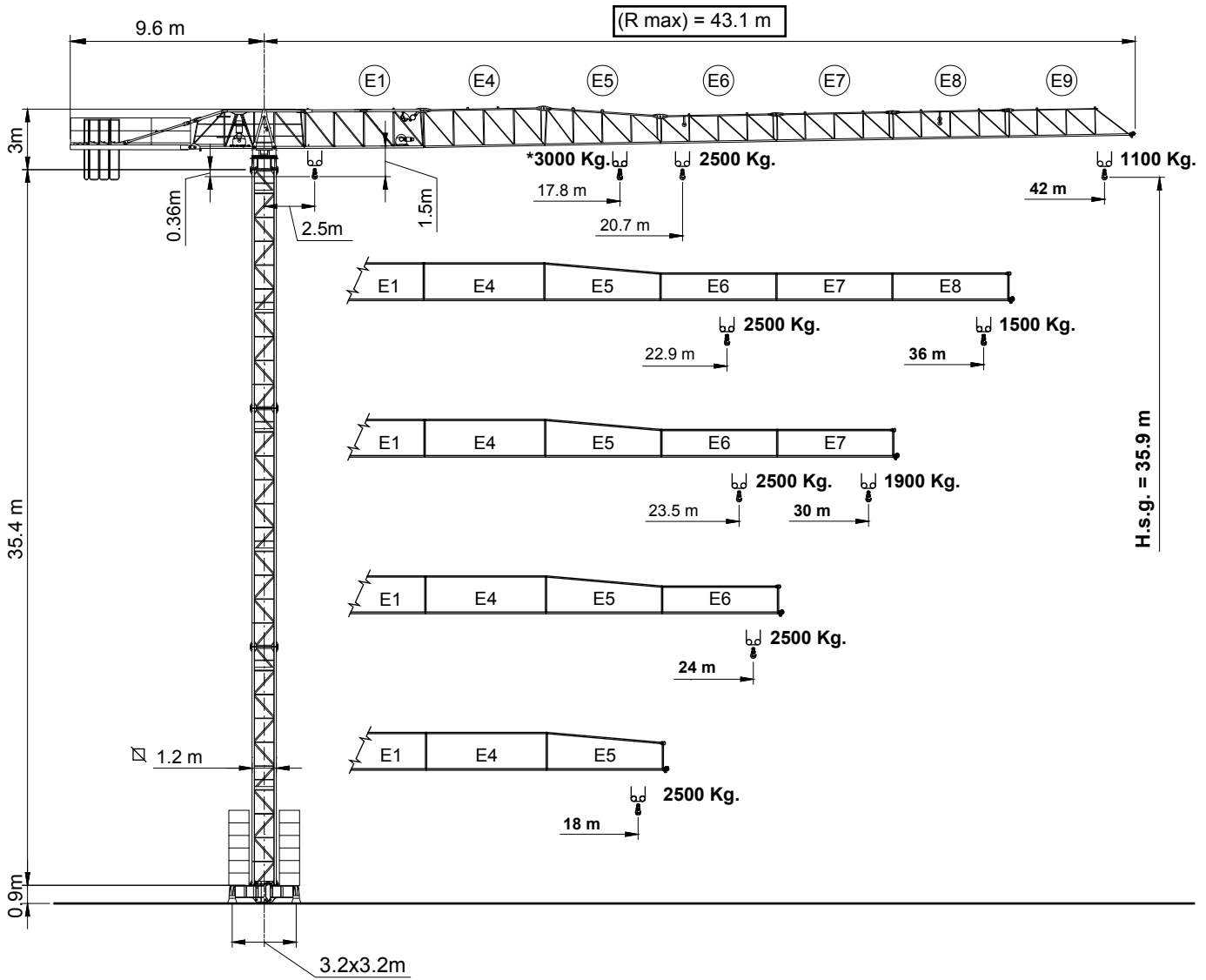


CATTANEO

AZIENDA CON SISTEMA DI
GESTIONE PER LA QUALITÀ
CERTIFICATO DA DNV
=UNI EN ISO 9001:2000=

CM 420 Gru a torre - Tower crane - Grue a tour - Thkranurmdre



FEM 1,001 A3





* optional

Raggio e portata

Radius and capacity - Portee e charge - Ausladung und Tragfahigkeit

R Max  **2,5 t**  **Portata max - Max s.w.l. - Charge maxi**

| | | | | | | | | | | | | | |
|---------------|---------------------------|-------------------|-------------------|-------------------|--------------------------|-------------------|-------------------|--------------------------|-------------------|-------------------|-------------------|--------------------------|---------|
| 43,1 m | 20,7 2,5 | 22 2.33 | 24 2.12 | 26 1.93 | 28 1.78 | 30 1.64 | 32 1.52 | 34 1.42 | 36 1.32 | 38 1.24 | 40 1.16 | 42 1,10 | m. t |
| 37,1 m | 22,9 2,5 | 24 2.38 | 26 2.17 | 28 2.00 | 30 1.85 | 32 1.72 | 34 1.60 | 36 1,50 | m. t | | | | |
| 31,4 m | 23,5 2,5 | 24 2.44 | 26 2.23 | 28 2.05 | 30 1,90 | m. t | | | | | | | |
| 25,7 m | 24 2,50 | | m. t | | | | | | | | | | |
| 20,0 m | 18 2,50 | m. t | | | | | | | | | | | |

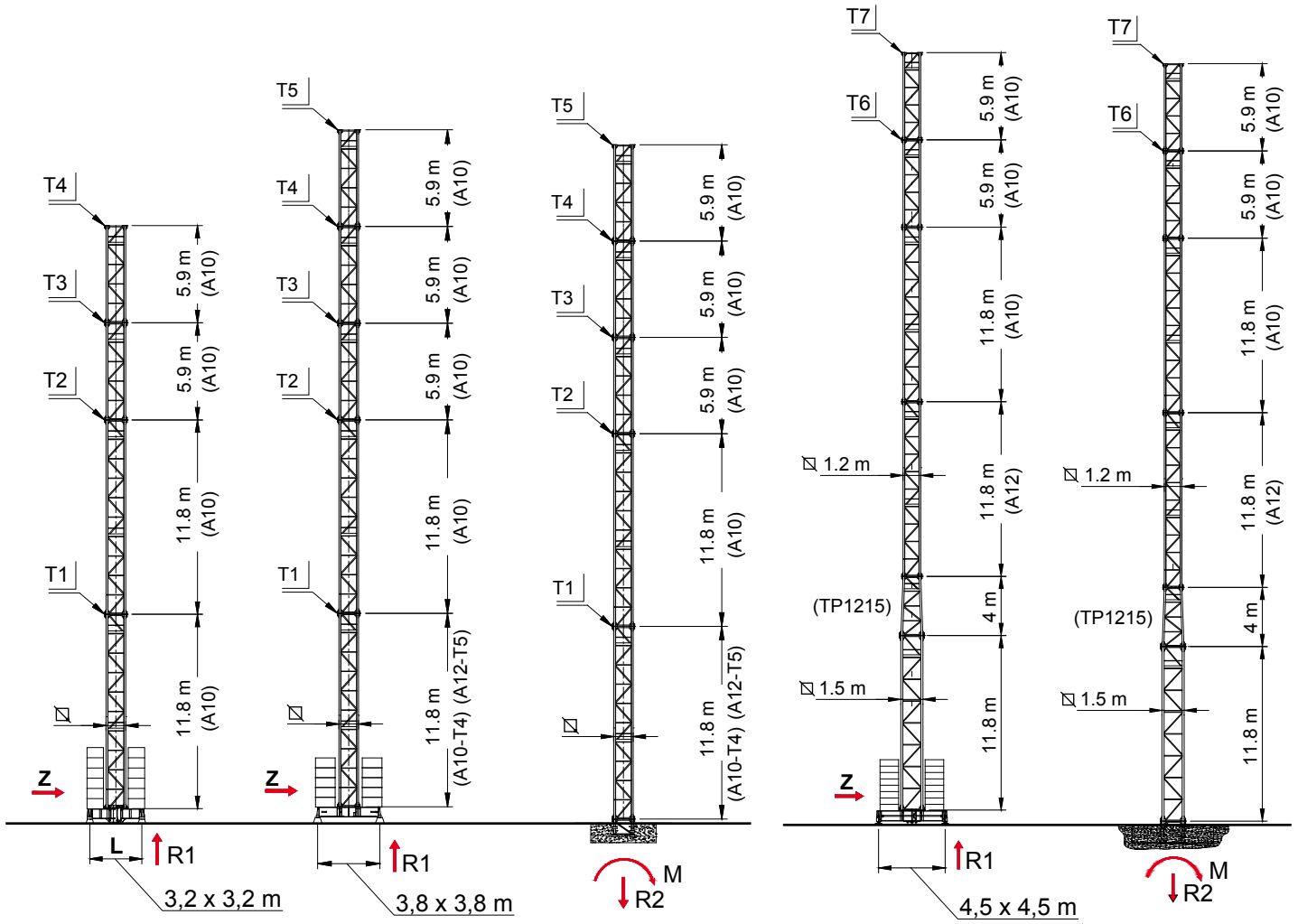
R Max  **(*) 3,0 t**  **Portata max - Max s.w.l. - Charge maxi**

| | | | | | | | | | | | | | | |
|---------------|---------------------------|-------------------|--------------------------|-------------------|-------------------|--------------------------|-------------------|-------------------|--------------------------|-------------------|-------------------|-------------------|--------------------------|---------|
| 43,1 m | 17,8 3,0 | 20 2.63 | 22 2.36 | 24 2.14 | 26 1.95 | 28 1.79 | 30 1.65 | 32 1.53 | 34 1.42 | 36 1.33 | 38 1.24 | 40 1.16 | 42 1,10 | m. t |
| 37,1 m | 19,7 3,0 | 22 2.64 | 24 2.39 | 26 2.19 | 28 2.00 | 30 1.85 | 32 1.72 | 34 1.60 | 36 1,50 | m. t | | | | |
| 31,4 m | 20,0 3,0 | 22 2.70 | 24 2.45 | 26 2.23 | 28 2.05 | 30 1,90 | m. t | | | | | | | |
| 25,7 m | 20,4 3,0 | 22 2.75 | 24 2,50 | m. t | | | | | | | | | | |
| 20,0 m | 18 3,0 | m. t | | | | | | | | | | | | |

* optional

Torre reazioni

Mast reactions - Mast reactions - Maste Eckdrucke



| T | H.s.g. | Z (t) | R1 (t) |
|---|--------|-------|--------|
| | | | |
| 7 | | | |
| 6 | | | |
| 5 | | | |
| 4 | 35.9 m | 60 | 51 |
| 3 | 30.0 m | 45 | 34 |
| 2 | 24.1 m | 30 | 26 |

L = 3.2 x 3.2 m

| T | H.s.g. | Z (t) | R1 (t) |
|---|--------|-------|--------|
| | | | |
| 7 | | | |
| 6 | | | |
| 5 | 41.9 m | 60 | 59 |
| 4 | 36.0 m | 50 | 42 |
| 3 | 30.1 m | 35 | 29 |
| 2 | 24.2 m | 20 | 22 |

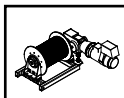
L = 3.8 x 3.8 m

| T | H.s.g. | R2 (t) | M (tm) |
|---|--------|--------|--------|
| | | | |
| 7 | | | |
| 6 | | | |
| 5 | 41.2 m | 29 | 146 |
| 4 | 35.3 m | 28 | 104 |
| 3 | 29.4 m | 26 | 68 |
| 2 | 23.5 m | 25 | 54 |

| T | H.s.g. | Z (t) | R1 (t) |
|---|--------|-------|--------|
| | | | |
| 7 | 51.8 m | 75 | 74 |
| 6 | 45.9 m | 60 | 59 |
| 5 | | | |
| 4 | | | |
| 3 | | | |
| 2 | | | |

L = 4.5 x 4.5 m

| T | H.s.g. | R2 (t) | M (tm) |
|---|--------|--------|--------|
| | | | |
| 7 | 51.0 m | 33 | 242 |
| 6 | 45.1 m | 32 | 183 |
| 5 | | | |
| 4 | | | |
| 3 | | | |
| 2 | | | |

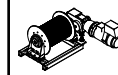


FV4 15 - Standard

Limite - Limit - Grenze
Max. H.s.g. = T4

FV4 25 - Optional

Limite - Limit - Grenze
Max. H.s.g. = T5

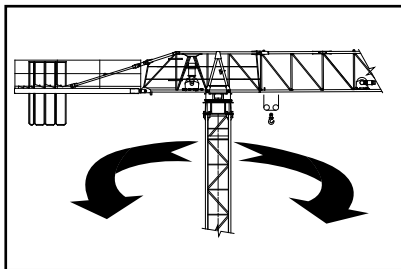


FV4 25 - Optional

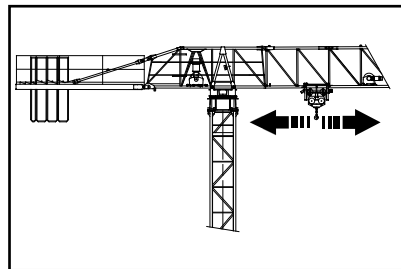
Limite - Limit - Grenze
Max. H.s.g. = T7

Meccanismi

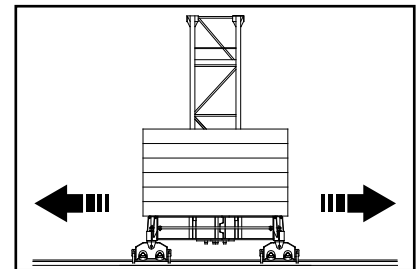
Driving units - Mechanisms d'entrainement - Antriebe



| g/1' | Nm | Kw |
|-----------------|----|-----|
| 0,3 / 0,6 / 0,8 | - | 3,7 |





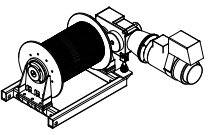


| m/1' | Nm | Kw |
|--------------|----|-----|
| 15 / 25 / 50 | - | 3,0 |



| m/min | Nm | Kw |
|-------|----|-------|
| 16 | - | 2 x 4 |

FORZA MOTRICE TOTALE
TOTAL INSTALLED POWER
PUISSANCE TOTALE DES MOTEURS
GESAMT-MOTORENLEISTUNG

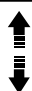




|  Kw | kVA |  |
|--|-----|---|
| FV4 15 11 | 20 | 400 V - 50 Hz |
| FV4 25 18,5 | 30 | |

|  |  |  |
|---|---|---|
| CV - ch PS - HP | Kw | mt. |

| | | | |
|--------|----|----|----|
| FV4 15 | 15 | 11 | 72 |
|--------|----|----|----|

| | | | |
|--------|----|------|-----|
| FV4 25 | 25 | 18,5 | 235 |
|--------|----|------|-----|

Marcia - Step
Cran - Stufe

|  |  |  |  |  |
|---|---|---|---|---|
| m/1' | (t) | (t) | m/1' | (t) |

| | | | | | |
|---|--------|-----|---|---|---|
| 1 | 0 - 4 | 2,5 | - | - | - |
| 2 | 0 - 20 | 2,5 | - | - | - |
| 3 | 0 - 30 | 2,0 | - | - | - |
| 4 | 0 - 50 | 1,0 | - | - | - |

| | | | | | |
|---|--------|-----|---|---|---|
| 1 | 0 - 4 | 3,0 | - | - | - |
| 2 | 0 - 25 | 3,0 | - | - | - |
| 3 | 0 - 40 | 2,0 | - | - | - |
| 4 | 0 - 60 | 1,0 | - | - | - |

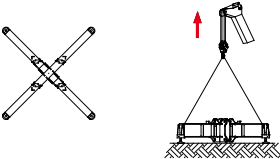
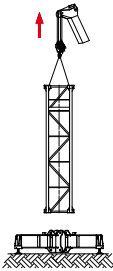
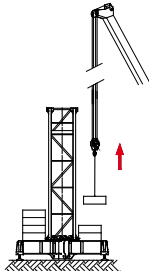
Pesi e ingombri

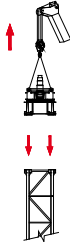
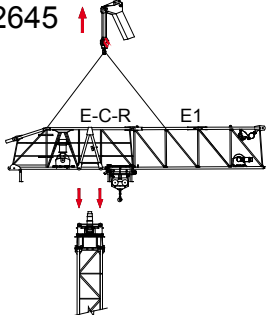
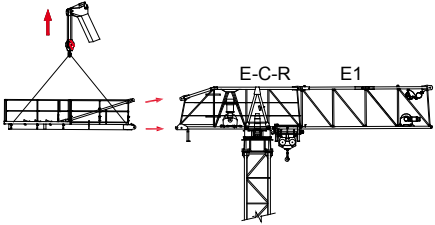
Packing list - Liste de colisage - Kolli-liste

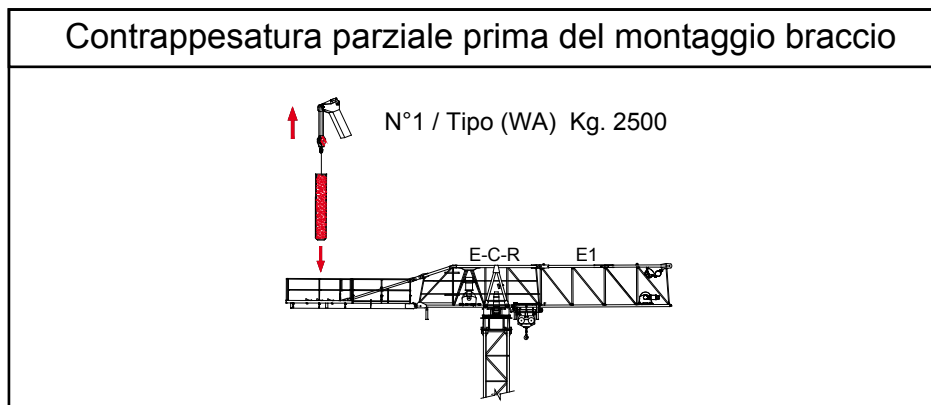
| Pos. Item | Pezzi Pieces | Denominazione Description | Schizzo Sketch | Dimensioni Dimensions | | | Peso Weight (Kg) | | | |
|-----------|--------------|--|----------------|-----------------------|----------|---------|------------------|--------|------|-------|
| | | | | L | W | H | Unit. | Total. | | |
| 1 | 1 | Elemento di braccio Jib element Elément de flèche Ausleger | E 1 | | 6.08 | 1.02 | 1.98 | - | 905 | |
| | 1 | | E 4 | | 6.08 | 0.95 | 1.97 | - | 479 | |
| | 1 | | E 5 | | 6.07 | 0.95 | 1.94 | - | 401 | |
| | 1 | | E 6 | | 6.05 | 0.95 | 1.45 | - | 340 | |
| | 1 | | E 7 | | 6.03 | 0.95 | 1.45 | - | 286 | |
| | 1 | | E 8 | | 6.00 | 0.95 | 1.45 | - | 265 | |
| | 1 | | E 9 | | 5.93 | 0.95 | 1.45 | - | 231 | |
| 2 | 1 | Elemento rotazione, argano sollev., carrello e Q.E. Element turntable, hoisting winch, trolley jib, electrical box. Element tournante, treuil de levage, armoire électrique. Element gegenausleger, Hubwinde, Drehwerk. | | 5.83 | 1.18 | 2.5 | - | 1740 | | |
| | 1 | Rotazione; turntable; tournante; gegenausleger. | | 1.40 | 1.50 | 1.76 | - | 1360 | | |
| 3 | 1 | Elemento controbraccio. Counterjib, contreflèche, gegenausleger. | | 5.80 | 1.68 | 1.53 | - | 1150 | | |
| 4 | 3 | Blocchi di contrappeso Counterweight block Contre-poids Gegengewichtsblöcke | | WA | 0.65 | 0.50 | 3.08 | 2500 | 7500 | |
| | 1 | | | WB | 0.65 | 0.25 | 3.08 | - | 1250 | |
| 5 | 2 | Elemento di torre Tower element Elément de mature Turmstück | | L (A10) | 11.8 | 1.20 | 1.38 | 2565 | 5130 | |
| | 2 | | | W | 5.9 | 1.20 | 1.38 | 1290 | 2580 | |
| 6 | 1 | Tronchetto di fondazione Expendable foundation element Elément a sceller Fundamentanker | | L | 1.18 | 1.44 | 1.44 | - | 465 | |
| 7 | 1 | Trave di base principale Base main beam Poutre de chassis de base Tragholm 1 | | | 3.2x3.2 | 5.00 | 0.85 | 0.95 | - | 1560 |
| | | | | | 3.8x3.8 | 5.85 | 0.85 | 0.95 | - | 1790 |
| 8 | 2 | Semi trave di base Half base beam Semipoutre de chassis de base Tragholm 2 | | | 3.2x3.2 | 2.30 | 0.85 | 0.95 | 700 | 1400 |
| | | | | | 3.8x3.8 | 2.60 | 0.85 | 0.95 | 840 | 1680 |
| 9 | 24 | Blocco di zavorra Base ballast block Lest de base Grundballastblöcken | | | 3.2x3.2 | 3.50 | 1.00 | 0.34 | 2500 | 60000 |
| | 24 | | | | (BZ 250) | 3.8x3.8 | 3.50 | 1.00 | 0.34 | 2500 |

Montaggio

Assembly - Montage - Versammlung

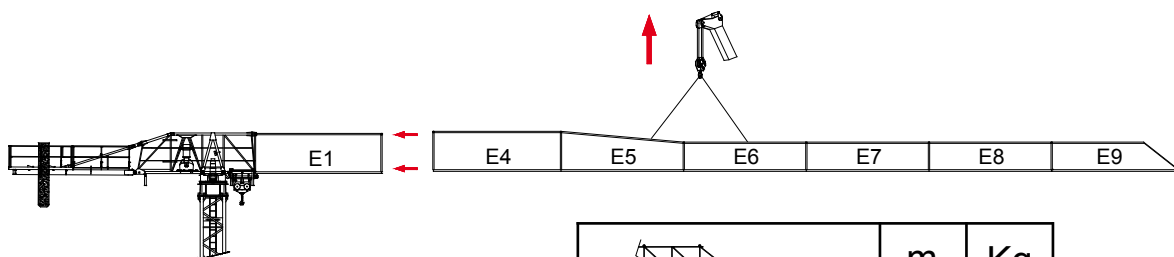
| 1 | Base | 2 | Torre | 3 | Zavorra |
|---|--|--|---|---|---------|
| | <p>L=3,2x3,2m Kg. 2960 L=3,8x3,8m Kg. 3470</p>  | <p>L=11,8m Kg. (2565 A10) Kg. (2940 A12)</p> <p>L=5,9m Kg. (1290 A10) Kg. (1490 A12)</p>  |  <p>Kg. 2500</p> | | |

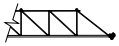
| 4 | Rotazione | 5 | E-C-R / E1 | 6 | Controbraccio |
|---|---|---|---|---|---------------|
| | <p>Kg. 1360</p>  | <p>Kg. 2645</p>  | <p>Kg. 1150</p>  | | |



Montaggio

Assembly - Montage - Versammlung



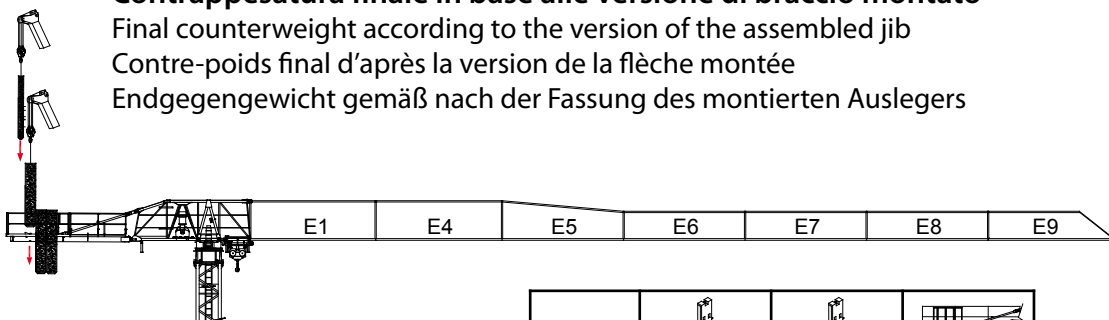
|  | m. | Kg. |
|---|----|------|
| E4 / E5 / E6 / E7 / E8 / E9 | 42 | 2160 |
| E4 / E5 / E6 / E7 / E8 | 36 | 1910 |
| E4 / E5 / E6 / E7 | 30 | 1630 |
| E4 / E5 / E6 | 24 | 1330 |
| E4 / E5 | 18 | 980 |

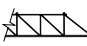



Contrappesatura finale in base alle versione di braccio montato

Final counterweight according to the version of the assembled jib

Contre-poids final d'après la version de la flèche montée

Endgegengewicht gemäß nach der Fassung des montierten Auslegers



|  |  |  |  |
|---|---|---|---|
| | (WA) 2500 Kg | (WB) 1250 Kg | Totale Kg |
| 42 m | 3 | 1 | 8750 |
| 36 m | 3 | 1 | 8750 |
| 30 m | 3 | - | 7500 |
| 24 m | 2 | 1 | 6250 |
| 18 m | 2 | - | 5000 |

Rev. "0" (04/09)

CATTANEO

Luigi Cattaneo S.p.A.
via Trieste 14 - 20020 Magnago (MI) Italia
tel. +39 331 657132 - fax +39 331 305460
www.cattaneogru.it
e-mail: cattgru@tin.it