

 | 1815 kg
 | 22 - 30 t
 | 4000 J



DXB190H | Hydraulic Breaker

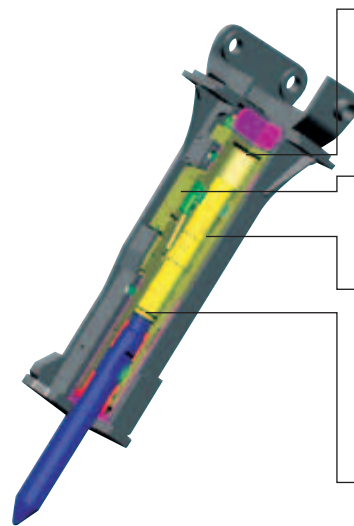


DXB190H – Make every blow count!

Doosan hydraulic breakers offer powerful performance and top productivity. Whether you are demolishing concrete, cutting asphalt or breaking rocks, Doosan hydraulic breakers are designed to give you top productivity to make each blow count. Doosan breakers provide high performance, simple and reliable design, low maintenance cost and carrier protection.

Breaker package includes :

- 2 hydraulic hoses (2500 mm long with ORFS couplers)
- 1moil point and 1 wedge chisel
- Sound-reducing housing
- Nitrogen charge kit
- Tool box
- User and installation manual
- CE certification
- Doosan engineering approval
- One year warranty
- Automatic greaser (optional)



Energy recovery system

- The energy recovery system increases the striking power by using the energy generated when the piston rebounds.
- When the breaker is used on hard materials, the energy recovery system automatically increases the breaker frequency to optimize performance.

Unique valve system

- The patented main valve controls the piston movement in order to optimize the striking power.

High quality piston and cylinder

- The piston and cylinder are made of similar steel with the highest quality materials used in the European aerospace industry. The number of wear parts such as the piston and cylinder has been minimized to reduce replacement and maintenance cost.
- Fine tolerances minimize internal leaks and increase breaker efficiency.

Blank fire protection

- A hydraulic cushion at the bottom of the cylinder bore slows and stops the downward movement of the piston.
- The dampening system protects against blank firing from the first blow.

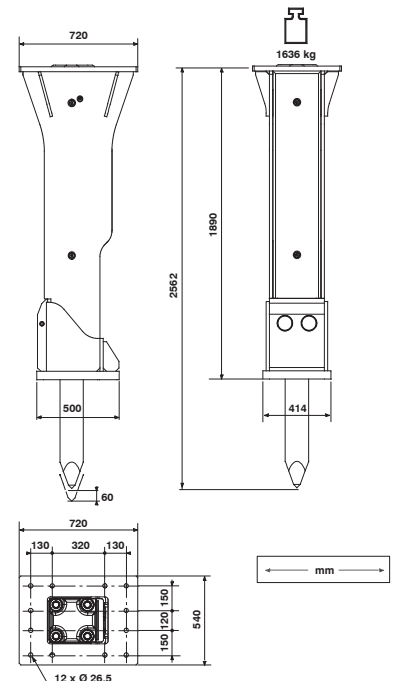
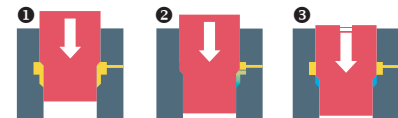
| Breaker Package and Options | Part Number |
|------------------------------|-----------------|
| DXB190H breaker | 86725058 |
| Automatic greaser (optional) | 86702537 |
| Compatible Carriers | Fixing Cap Kit* |
| DX225LC/NLC | 86727849 |
| DX235LCR/NLC | 86727849 |
| DX255LC | 86715158 |
| DX300LC | 86700903 |

* Pin-on fixing cap kit includes bolts to mount the breaker.

| Points and Chisels | |
|------------------------|----------|
| Moil point** | 86697281 |
| Wedge chisel (cross)** | 86697299 |
| Blunt | 86708450 |
| Pyramidal | 86708468 |

** included in breaker kit

| Specifications | Unit | |
|----------------------------|-----------|-----------|
| Carrier weight | t | 22 - 30 |
| Operating weight | kg | 1815 |
| Tool diameter | mm | 142 |
| Operating pressure | bar | 180 |
| Max. average back pressure | bar | 17 |
| Flow | Min. | l/min 120 |
| | Max. | l/min 180 |
| Frequency | blows/min | 600 |
| Energy / blow | J | 4000 |
| Noise level | dB(A) | 129 |



www.doosanequipment.eu