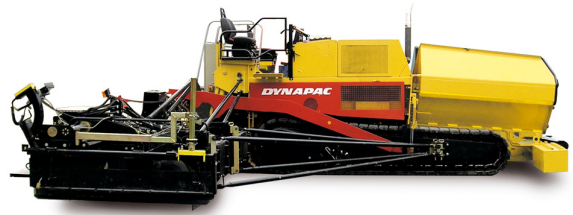


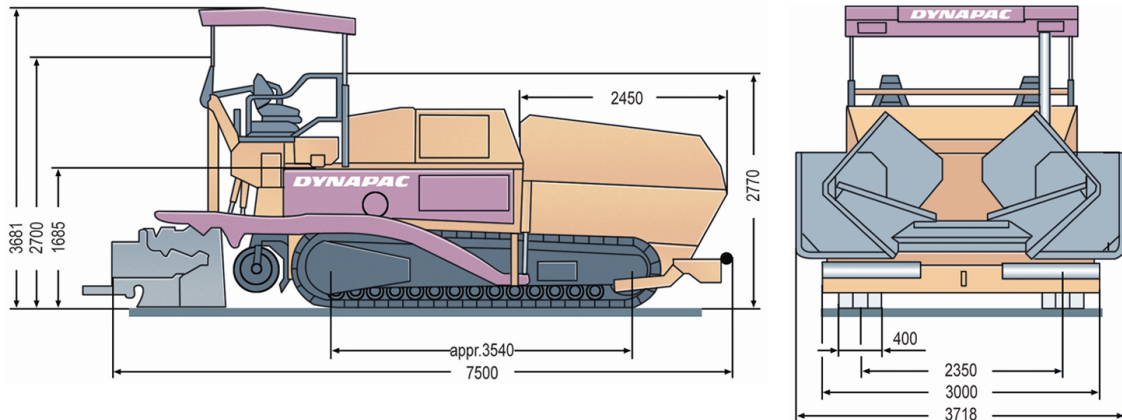
# DYNAPAC

Part of the Atlas Copco Group

## F300CS Tracked pavers



### Technical data



Dimensions	F300CS
Basic width	3 m
Working width, hydraulic extendable	6 m
Working width, maximum (incl. extension boxes)	16 m
Working width, minimum (with reducing shoe)	2.50 m
Masses	
Weight	31.20 t
Capacity	
Placement thickness (max)	350 mm
Material hopper	
Capacity	6.80 m <sup>3</sup>
Hopper width, internal	3,780 mm
Traction	
Paving speed	20 m/ min
Transport speed	3.60 km/ h
Engine	
Manufacturer	Deutz
Type	BF6M1015C
Rated power	352 hp
Rated power	259 kW
Rated power @	1,800 rpm
Electrical system	24V
Emissions according to	COM II
Operation	
Operator console	Slidable left/ right
Operator seat	Adjustable, fluid- cushioned comfort seat
Undercarriage	
Crawler length	3,540 mm
Crawler width	400 mm
Final drive	Hydrostatical - direct drives comprising planetary gear units and hydraulic oil motors, integrated in crawler track frame
Auger	
Auger diameter	480 mm
Auger control	Proportional speed control. Left and right augers to be controlled separately. Reversible direction of rotation.

Find your local dealer at [www.dynapac.com](http://www.dynapac.com)

We reserve the right to change specifications without notice. Photos and illustrations do not always show standard versions of machines. The above information is a general description only, all informations are supplied without liability.