

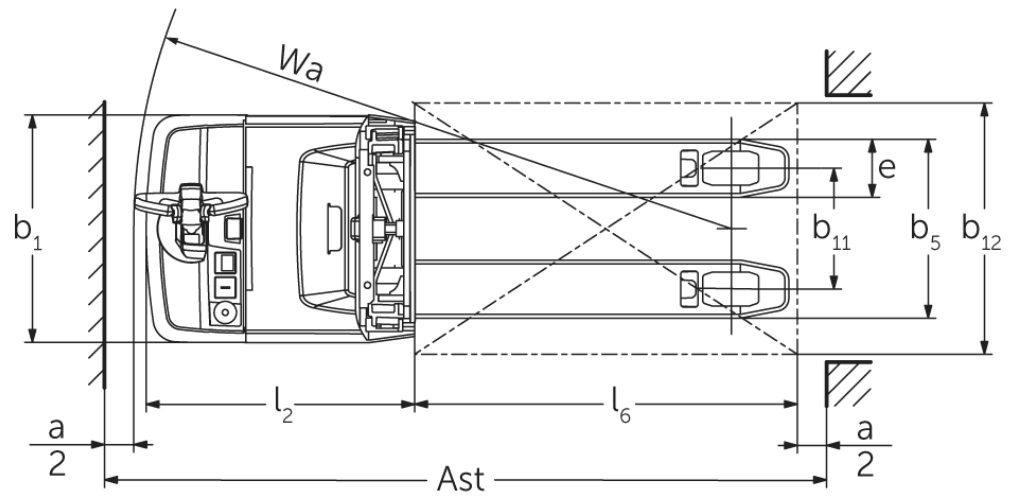
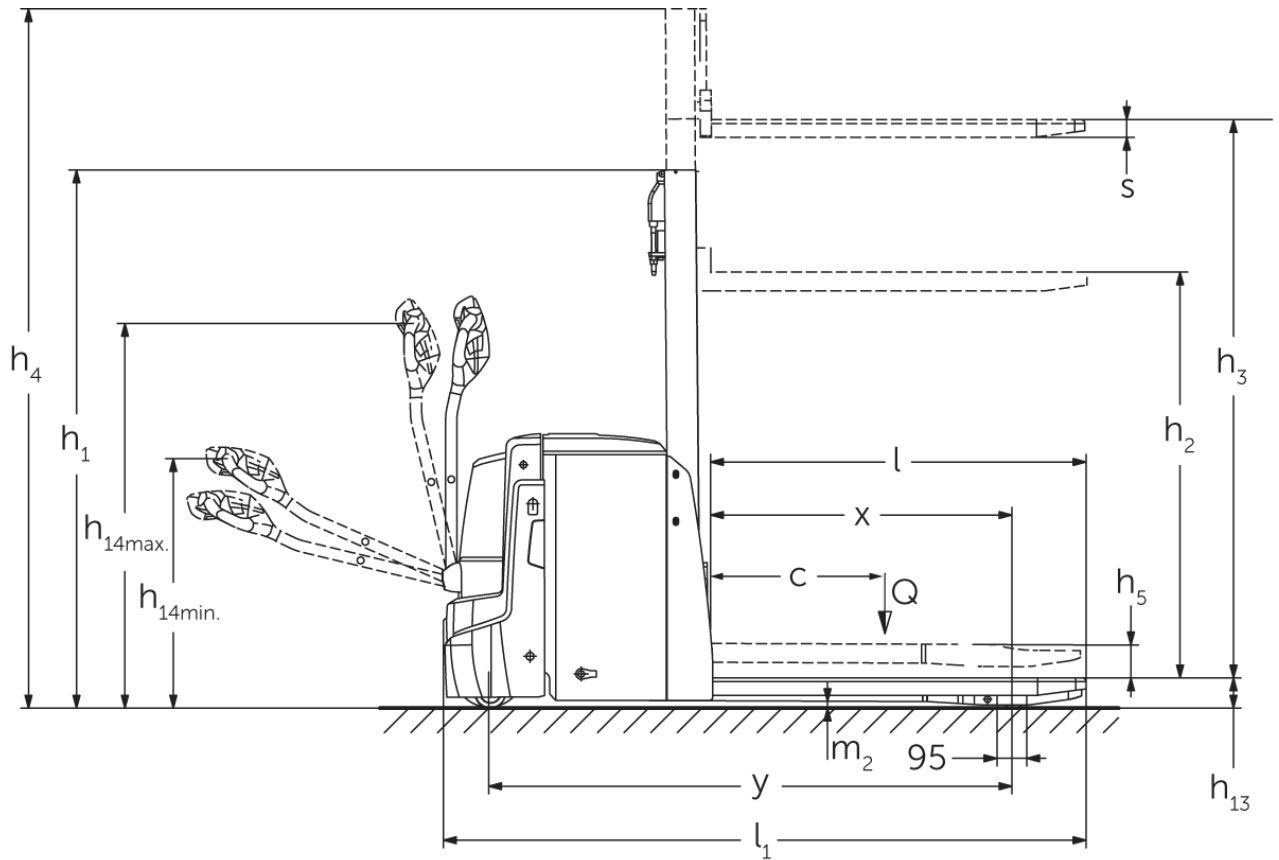


# Electric pedestrian pallet truck

## **EJD 222**

Lift height: 1500-2905 mm / Capacity: 2200 kg

# EJD 222



# EJD 222

	Lift (h3)	Retracted mast height (h1)	Free lift (h2)	Extended mast height (h4)
Duplex mast ZT	<b>1660 mm</b>	<b>1306 mm</b>	<b>100 mm</b>	<b>2115 mm</b>
	2010 mm	1481 mm	100 mm	2465 mm
	2100 mm	1526 mm	100 mm	2555 mm
	2560 mm	1756 mm	100 mm	3015 mm
	2900 mm	1926 mm	100 mm	3355 mm
Single mast E	<b>1500 mm</b>	<b>1921 mm</b>	<b>1468 mm</b>	<b>1953 mm</b>
	1660 mm	2081 mm	1628 mm	2113 mm
	2100 mm	2521 mm	2068 mm	2553 mm
Triplex mast DT	<b>2050 mm</b>	<b>1213 mm</b>	<b>100 mm</b>	<b>2513 mm</b>
	2350 mm	1313 mm	100 mm	2813 mm
	2500 mm	1363 mm	100 mm	2963 mm
	2905 mm	1498 mm	100 mm	3368 mm

# VDI table

Stand-on: 01/2020

Characteristic	1.1	Manufacturer (abbreviated description)		Jungheinrich	
	1.2	Manufacturer's type designation		<b>EJD 220</b>	
	1.3	Drive		Electric	
	1.4	Operation		Pedestrian	
	1.5	Capacity/load	Q	kg	2.200
	1.5.1	Rated capacity/load with mast lift	Q	kg	1.000
	1.5.2	Rated capacity/load with support arm lift	Q	kg	2.200
	1.6	Load centre distance	c	mm	600
	1.8	Load distance, centre of drive axle to fork	x	mm	951
1.9	Wheelbase	y	mm	1.591	
Weights	2.1	Service weight		kg	725
	2.2	Axle load laden front/rear		kg	1.116 / 2.024
	2.3	Axle load unladen front/rear		kg	664 / 271
Wheels/suspension system	3.1	Tyres			PU
	3.2	Tyre size, front			Ø 230 x 65
	3.3	Tyre size, rear			Ø 85 x 95 / Ø 85 x 75
	3.4	Additional wheels			100 x 40
	3.5	Wheels, number front/back (x=driven)			1x +2/2 oder 4
	3.6	Tread width, front	b <sub>10</sub>	mm	522
	3.7	Tread width, rear	b <sub>11</sub>	mm	385
Basic dimensions	4.2	Retracted mast height (h1)	h <sub>1</sub>	mm	1.306
	4.3	Free lift (h2)	h <sub>2</sub>	mm	100
	4.4	Lift (h3)	h <sub>3</sub>	mm	1.660
	4.5	Extended mast height (h4)	h <sub>4</sub>	mm	2.115
	4.6	Initial lift	h <sub>5</sub>	mm	120
	4.9	Height of tiller handle in drive position min./max.		mm	750 / 1.237
	4.15	Height, lowered	h <sub>13</sub>	mm	90
	4.19	Overall length	l <sub>1</sub>	mm	1.973
	4.20	Length including fork shank	l <sub>2</sub>	mm	783
	4.21	Overall width	b <sub>1</sub> /b <sub>2</sub>	mm	726
	4.22	Fork dimensions	s/e/l	mm	56 / 185 / 1.190
	4.25	Width across forks (dimension 1), WaF	b <sub>5</sub>	mm	570
	4.32	Ground clearance centre of wheelbase	m <sub>2</sub>	mm	20
	4.34	Aisle width (pallet 1000x1200 sideways)	A <sub>st</sub>	mm	2.578
	4.34.1	Aisle width (pallet 800x1200 length)	A <sub>st</sub>	mm	2.447
4.35	Turning radius	W <sub>a</sub>	mm	1.776	
Performance data	5.1	Travel speed laden/unladen		km/h	6 / 6
	5.2	Lift speed laden/unladen		m/s	0.14 / 0.25
	5.3	Lowering speed laden/unladen		m/s	0.31 / 0.25
	5.8	Max. gradeability laden/unladen		%	10 / 15
	5.10	Service brake			generative
E-motor/ Electronics	6.1	Drive motor, performance S2 60 min		kW	1.7
	6.2	Lift motor, performance with S3		kW	2.2
	6.3	Battery according to DIN 43531/35/36			DIN 43535 B
	6.4	Battery voltage / nominal capacity		V / Ah	24 / 250
	6.5	Battery weight		kg	204

	6.6.1	Energy consumption according to EN cycle	kWh/h	0.61
	6.6.2	CO2 equivalent as per EN 16796	kg/h	0.33
	6.7	Throughput	t/h	37
	6.8	Envelope efficiency according to VDI 2198	t/kWh	39
Miscellaneous	8.1	Type of drive control		AC speedCONTROL
	10.7	Sound level as per EN12053, operator's ear	dB (A)	67
<p>- In accordance with VDI Guideline 2198 this data sheet provides details of the standard truck only. Non-standard tyres, different masts, optional equipment, etc. may result in different values.</p>				

The German production facilities in  
Norderstedt, Moosburg and Landsberg  
are certified.

ISO 9001  
ISO 14001

Jungheinrich fork lift trucks meet  
European safety requirements.



 **JUNGHEINRICH**

The logo features a red upward-pointing arrow integrated into the letter 'J' of the word 'JUNGHEINRICH', which is written in a bold, black, sans-serif font.