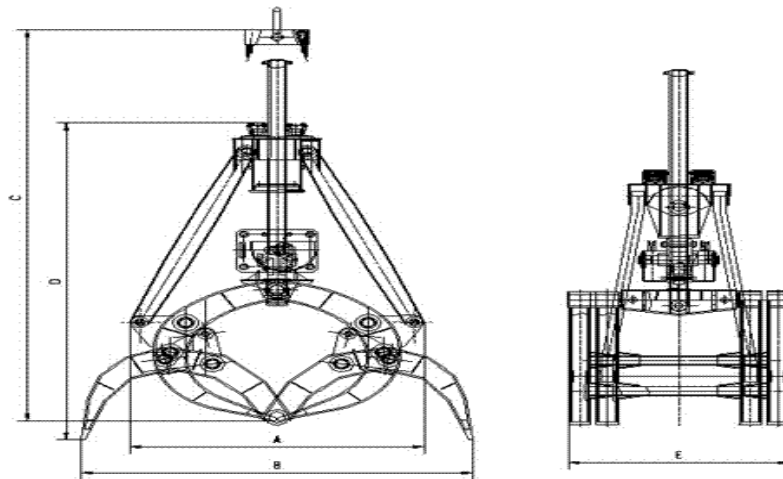




# Verdelli International Srl

EQUIPMENT AND SPARE PARTS  
LIFTING, PILING, EARTHMOVING MACHINERY  
DEMOLITION TOOLS

## MECHANICAL TIMBER GRAB



MODEL	CAPACITY	ROPE	PULLEIES	WEIGHT	DIMESIONS				
TYPE	Kg.	Ø mm	Ø mm	Kg.*	A	B	C*	D*	E
F.M. 1000	1000	24	400	2300	2100	2600	4000	3100	1500
F.M. 1600	1600	24	440	3600	3400	4600	5400	4365	2000