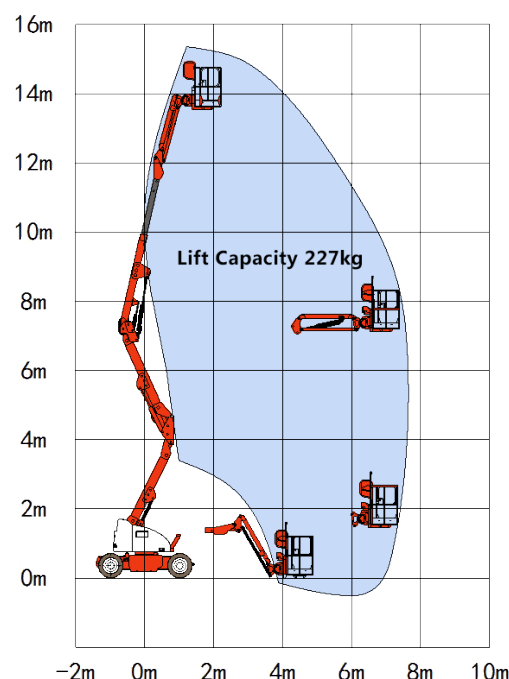
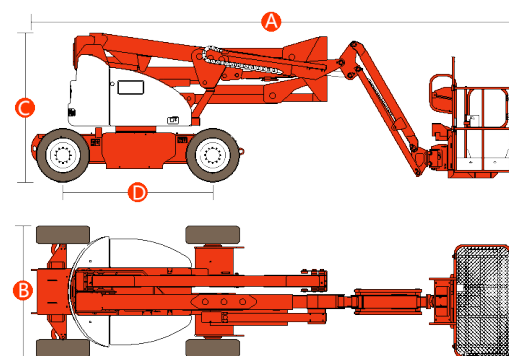


Specifications

Models	GTZZ14EJ	
Dimensions	Metric	US
Platform height max.	13.7 m	45 ft
Working height max.*	15.7 m	51 ft
Horizontal reach max.	7.4 m	24 ft 3 in
Up and over clearance max.	7.4 m	24 ft 3 in
A Length - stowed	6.54 m	21 ft 5 in
B Width - stowed	1.75 m	5 ft 7 in
C Height - stowed	2 m	6 ft 6 in
D Wheelbase	2 m	6 ft 6 in
Ground clearance	0.2 m	8 in
Platform size(L*W*H)	1.52 m* 0.77 m* 1.14 m	5 ft * 2 ft 5 in* 3 ft 7 in
Productivity		
Max. platform occupancy	2	2
Lift capacity	227 kg	500 lbs
Turntable rotation	355°	355°
Platform rotation	160°	160°
Drive speed - stowed	0~5.2 km/h	0~3.2 mph
Drive speed - raised	0~0.8 km/h	0~0.5 mph
Gradeability**	30%	30%
Turning radius - inside	0.7 m	2 ft 3 in
Turning radius - outside	3.23 m	10 ft 6 in
Turntable tailswing	0 m	0 ft
Max. allowable slope	3°	3°
Drive & steer model	2WD*2WS	2WD*2WS
Tire Size / Type	250*15 / solid	250*15 / solid
Power		
Power Source	Battery	Battery
Driving type	Electromotor move	Electromotor move
Hydraulic system capacity	-	-
Battery Specification	420 Ah, 6 V*8	420 Ah, 6 V*8
Weight***		
Overall weight	6500 kg	14330 lbs
Standards Compliance	CE/ ISO/ ADR/ ARAMCO	CE/ ISO/ ADR/ ARAMCO



* The metric equivalent of working height adds 2 m to platform height. U.S. adds 6 ft to platform height.

** Gradeability applies to driving on slopes.

*** Weight will vary depending on options and/or country standards.

Hunan Sinoboom Heavy Industry Co., Ltd.

Address: No.128, East Jinzhou Avenue, Jinzhou New District, Changsha, Hunan, China

Tel: +0086-731-87116222 Email: sales@sinoboom.com

Website: www.sinoboom.com