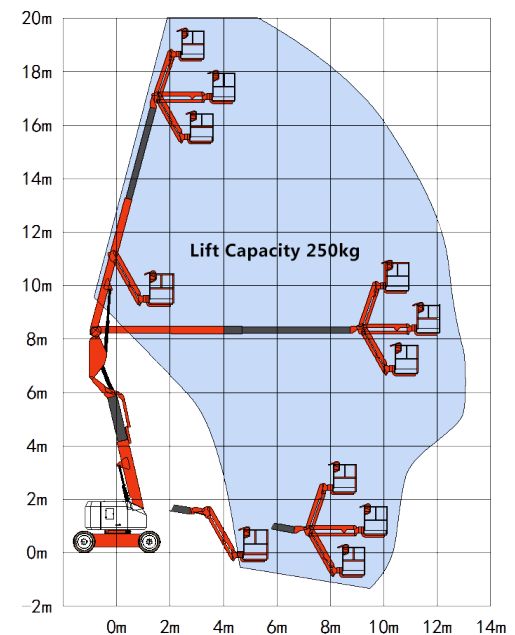
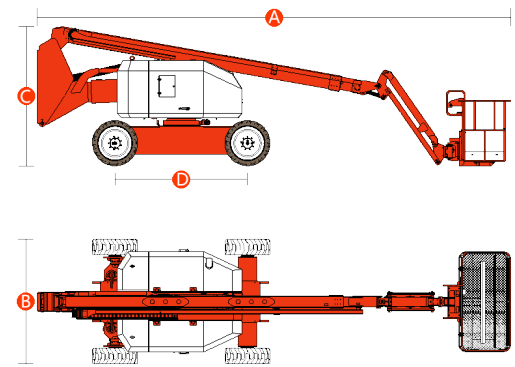


### Specifications

Models	GTZZ18J	
Dimensions	Metric	US
Platform height max.	18.4 m	60 ft
Working height max.*	20.4 m	66 ft
Horizontal reach max.	12.1 m	39 ft 7 in
Up and over clearance max.	7.9 m	26 ft
<b>A</b> Length - stowed	8.6 m	28 ft 2 in
<b>B</b> Width - stowed	2.28 m	7 ft 5 in
<b>C</b> Height - stowed	2.54 m	8 ft 3 in
<b>D</b> Wheelbase	2.44 m	8 ft
Ground clearance	0.23 m	9 in
Platform size(L*W*H)	1.45 m* 0.85 m* 1.24 m	4 ft 8 in* 2 ft 8 in* 4 ft 1 in
<b>Productivity</b>		
Max. platform occupancy	2	2
Lift capacity	250 kg	551 lbs
Turntable rotation	360° continuous	360° continuous
Platform rotation	160°	160°
Drive speed - stowed	0~6.1 km/h	0~3.8 mph
Drive speed - raised	0~1.1 km/h	0~0.7 mph
Gradeability**	40%	40%
Turning radius - inside	3.48 m	11 ft 4 in
Turning radius - outside	6.29 m	20 ft 6 in
Turntable tailswing	0.2 m	8 in
Max. allowable slope	3°	3°
Drive & steer model	4WD*2WS	4WD*2WS
Tire Size / Type	33*12 – 20 / solid	33*12 – 20 / solid
<b>Power</b>		
Power Source	Original Cummins/Perkins Engine	Original Cummins/Perkins Engine
Driving type	Hydraulic	Hydraulic
Fuel tank capacity	110 L	29.06 gal
Control voltage	12 VDC	12 VDC
Power	45 KW	45 KW
<b>Weight***</b>		
Overall weight	10500 kg	23149 lbs
<b>Standards Compliance</b>	CE/ ISO/ ADR/ ARAMCO	CE/ ISO/ ADR/ ARAMCO



\* The metric equivalent of working height adds 2 m to platform height. U.S. adds 6 ft to platform height.

\*\* Gradeability applies to driving on slopes.

\*\*\* Weight will vary depending on options and/or country standards.

### Hunan Sinoboom Heavy Industry Co., Ltd.

Address: No.128, East Jinzhou Avenue, Jinzhou New District, Changsha, Hunan, China

Tel: +0086-731-87116222 Email: sales@sinoboom.com

Website: [www.sinoboom.com](http://www.sinoboom.com)