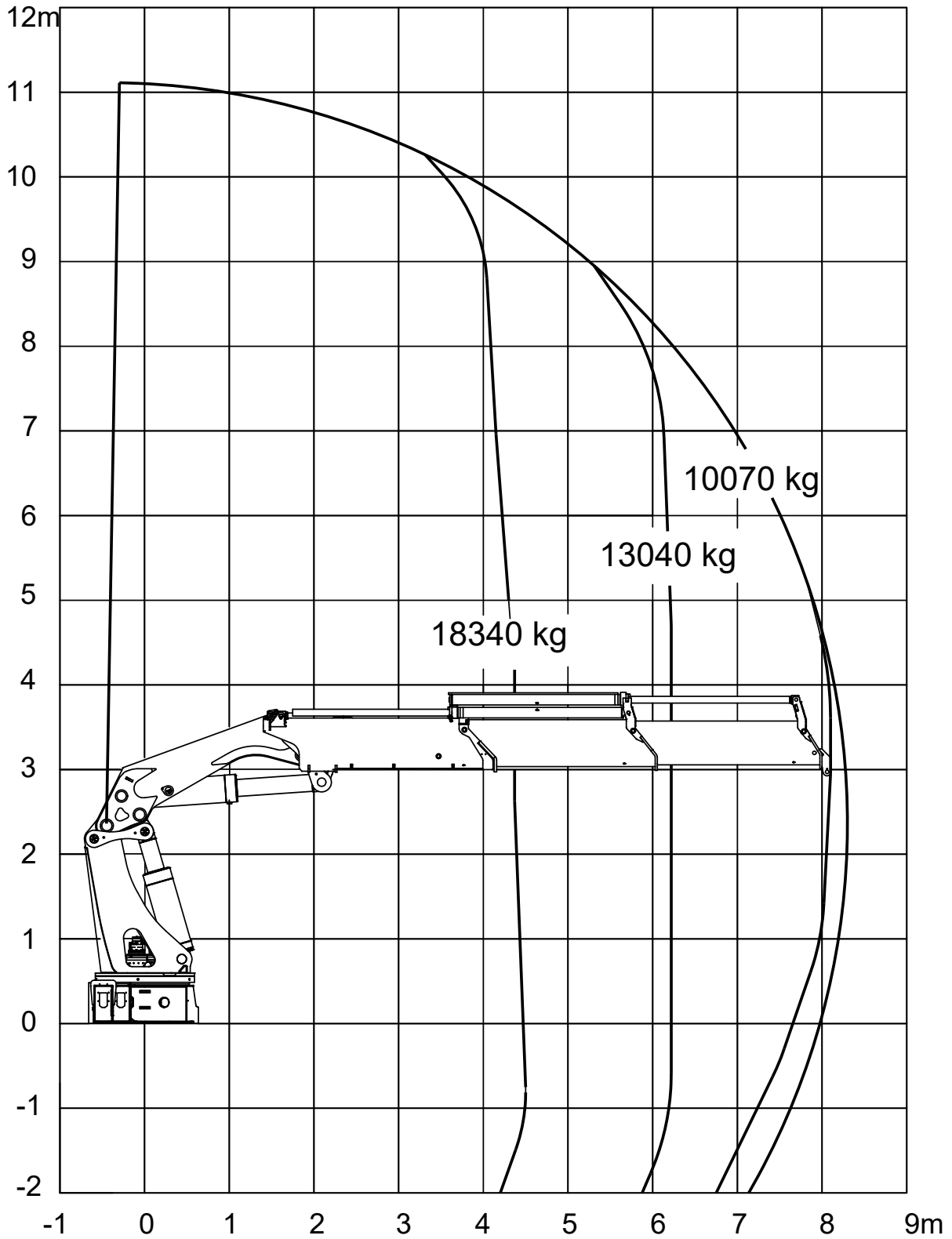


Lifting capacity diagram, OK2

Catalogue no.	Section
31 134	22
Date	Page
09-04-2018	1 (1)

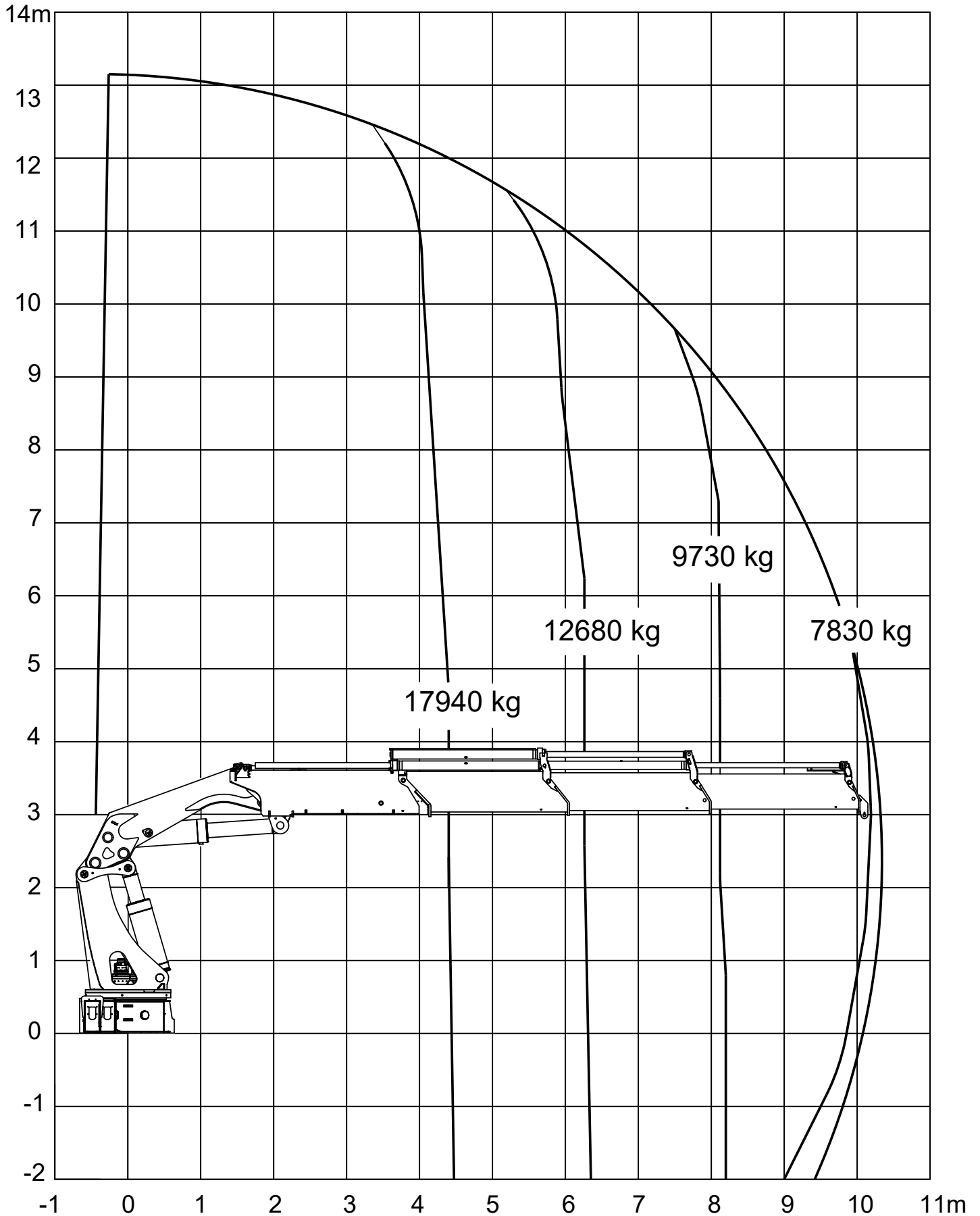


# Technical Information 9520OK-RCS



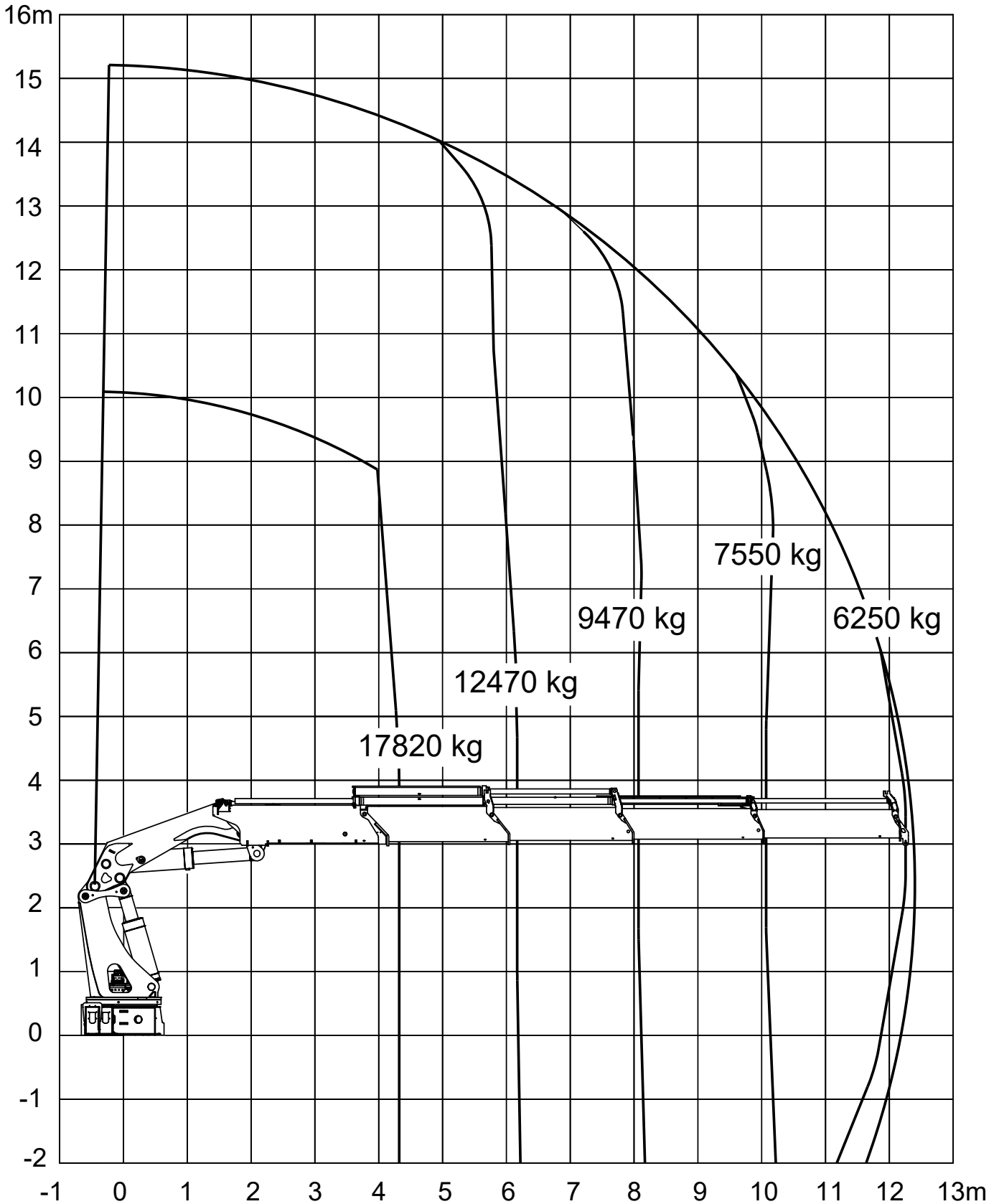
## Lifting capacity diagram, OK3

Catalogue no.	Section
31 134	23
Date	Page
09-04-2018	1 (1)



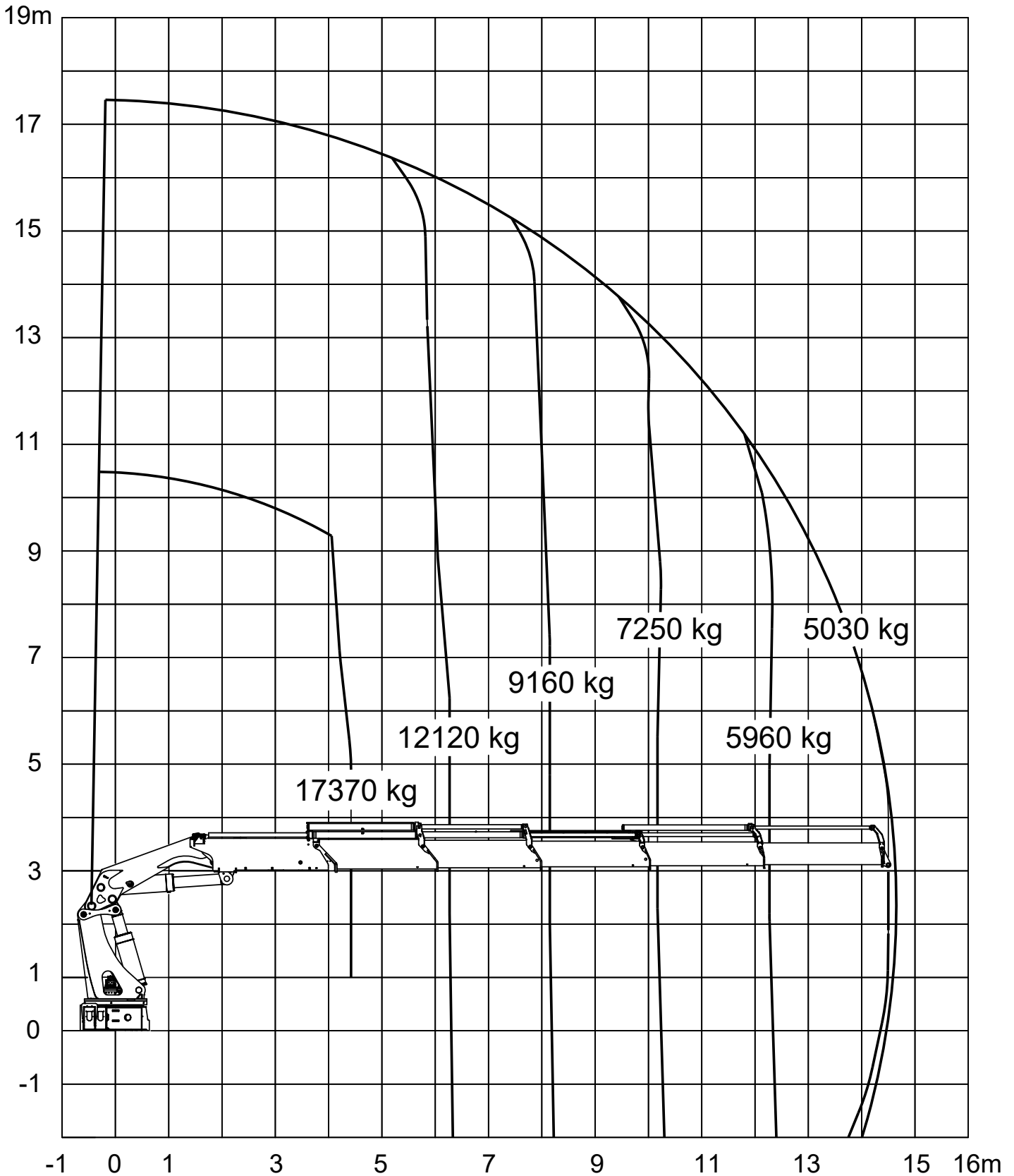
## Lifting capacity diagram, OK4

Catalogue no.	Section
31 134	24
Date	Page
09-04-2018	1 (1)



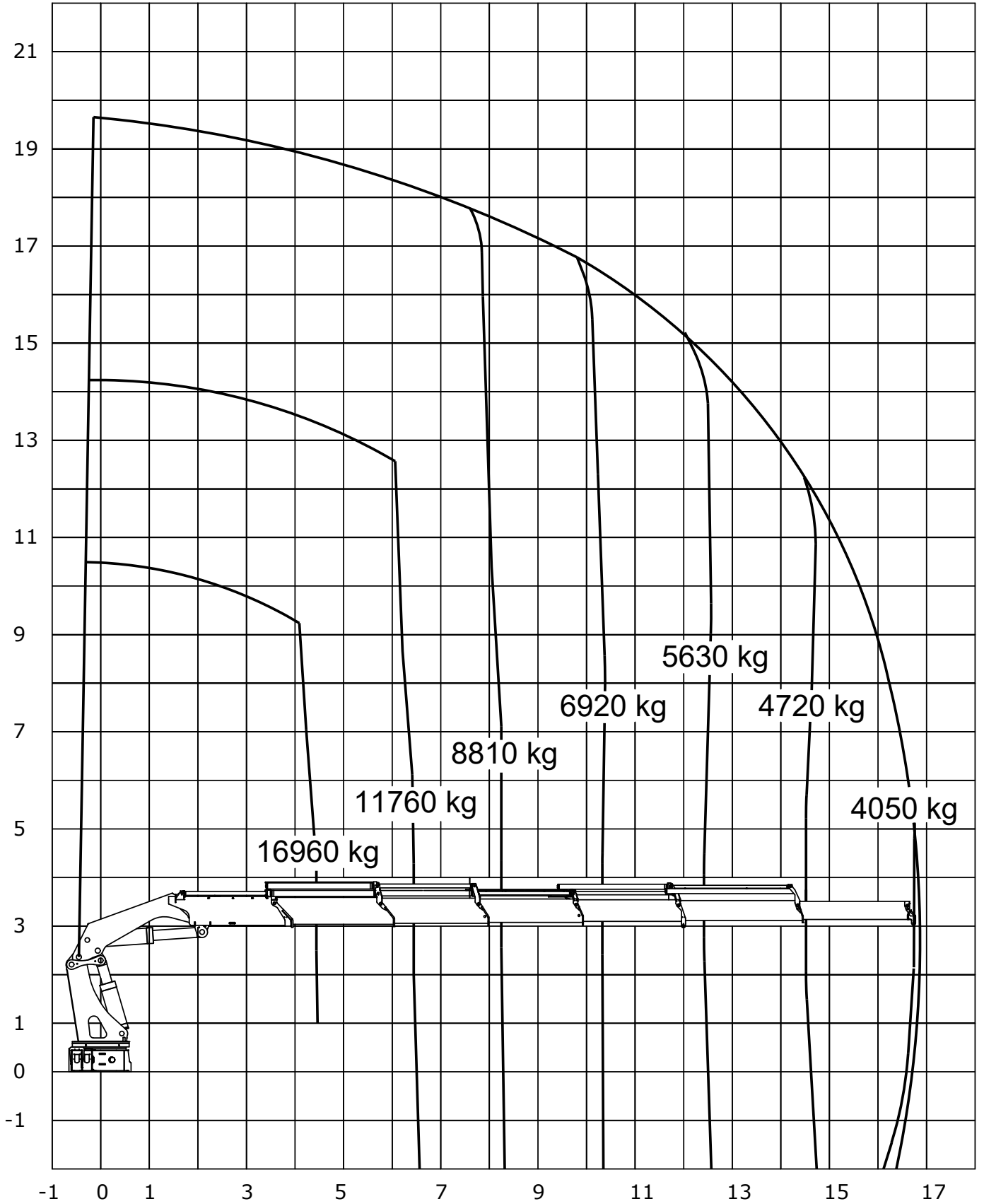
## Lifting capacity diagram, OK5

Catalogue no.	Section
31 134	25
Date	Page
09-04-2018	1 (1)



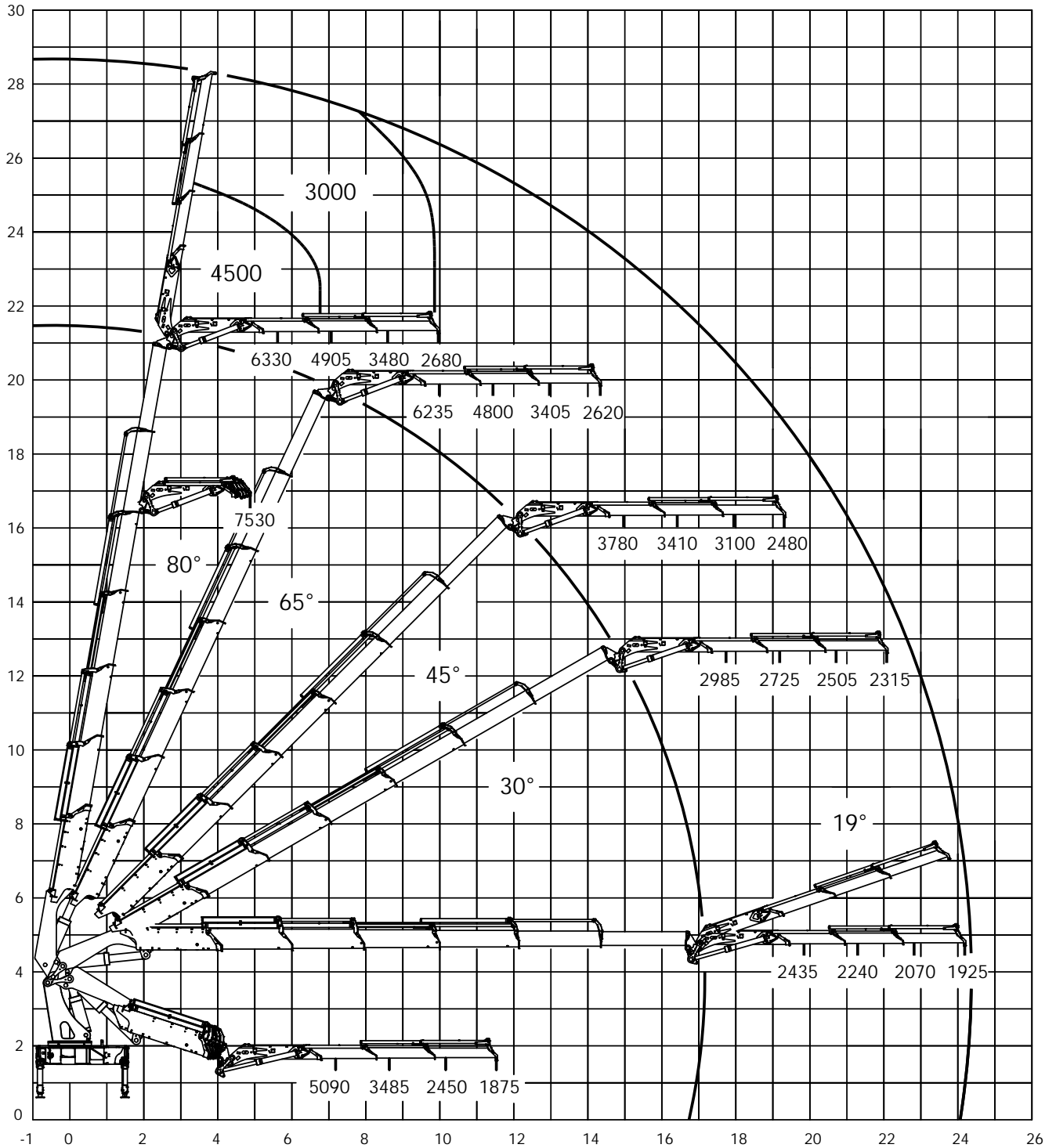
## Lifting capacity diagram, OK6

Catalogue no.	Section
31 134	26
Date	Page
08-02-2019	1 (1)



## Lifting capacity diagram, 9520-OK6 with FJ2000-K3

Catalogue no.	Section
31 134	240
Date	Page
19-09-2018	1 (1)



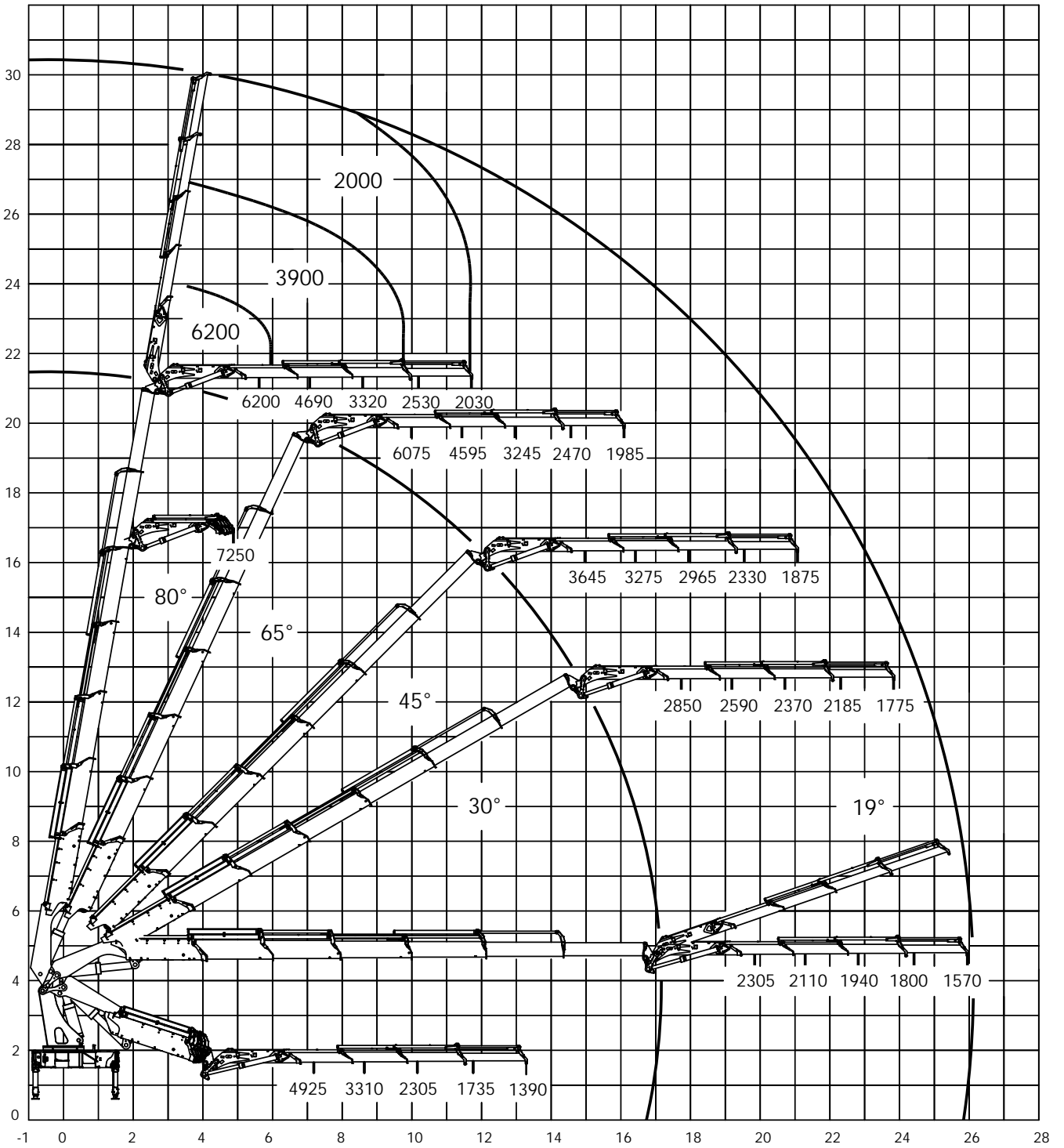
\* With manual extension.

# Technical Information 9520OK-RCS



## Lifting capacity diagram, 9520-OK6 with FJ2000-K4

Catalogue no.	Section
31 134	241
Date	Page
19-09-2018	1 (1)

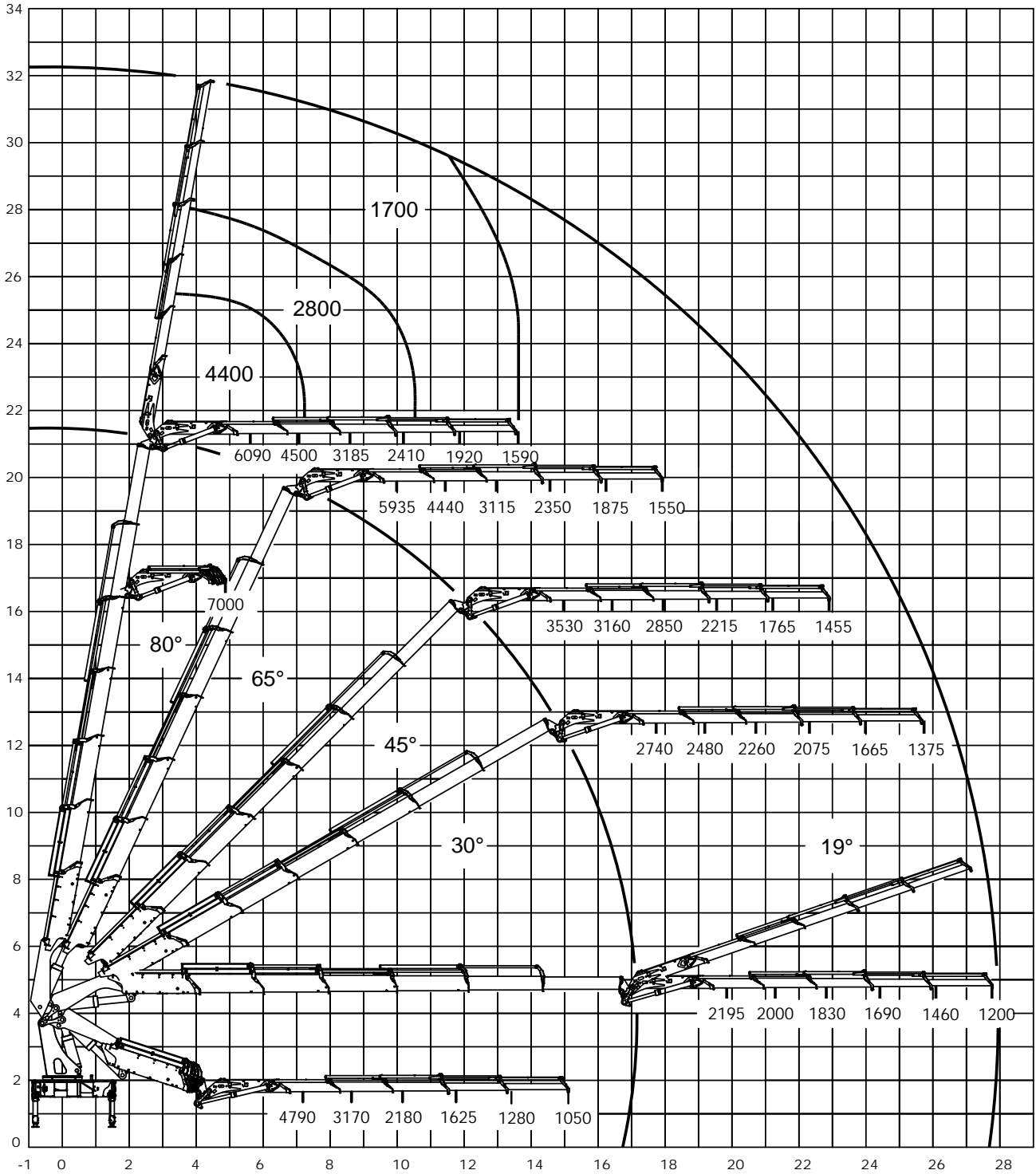


- power to lift. -



## Lifting capacity diagram, 9520-OK6 with FJ2000-K5

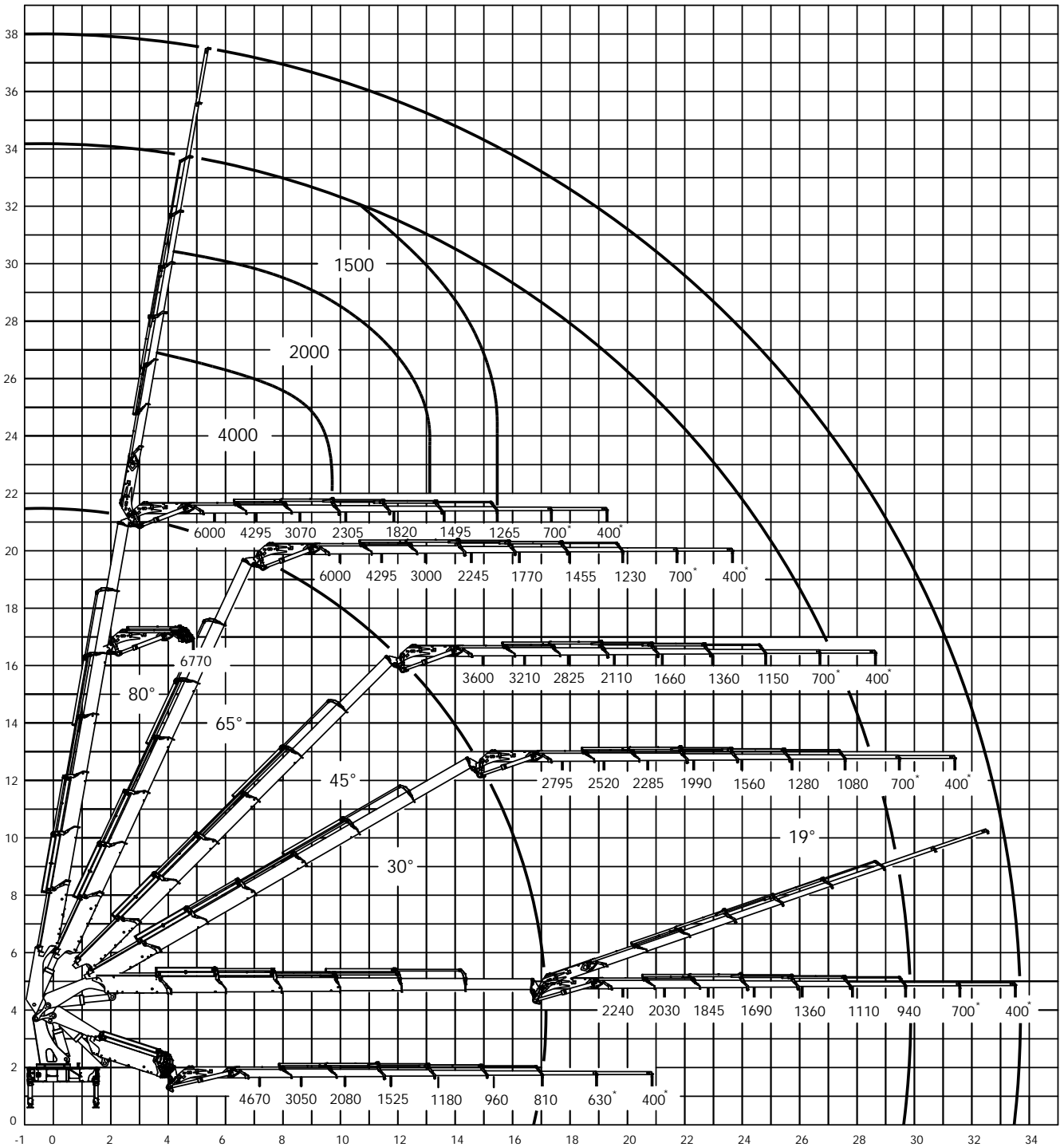
Catalogue no.	Section
31 134	242
Date	Page
19-09-2018	1 (1)





## Lifting capacity diagram, 9520-OK6 with FJ2000-K6

Catalogue no.	Section
31 134	243
Date	Page
19-09-2018	1 (1)



\* With manual extension.

