

MADE IN HOLLAND



# C30<sup>e</sup>

100% ELECTRIC  
PICK & CARRY  
CRANE



**HOEFLON**



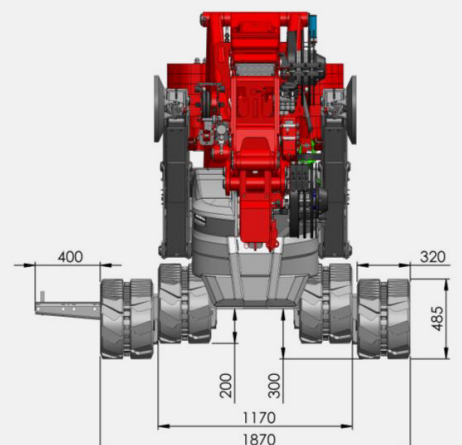
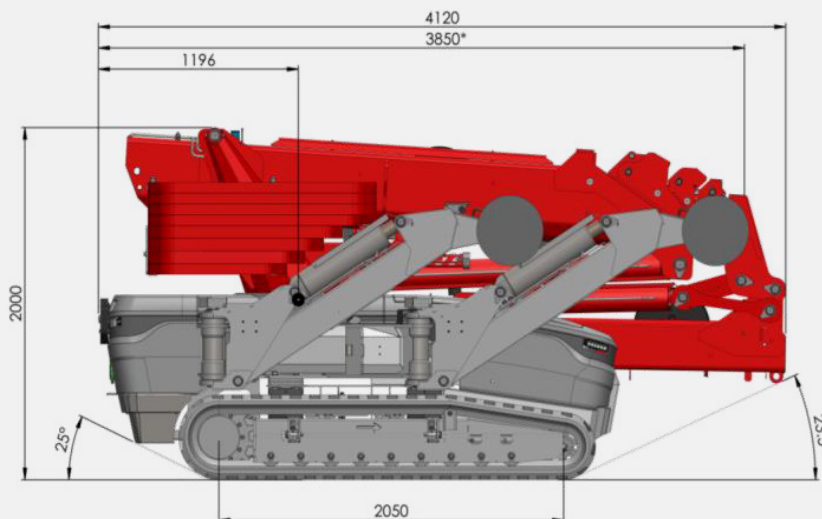
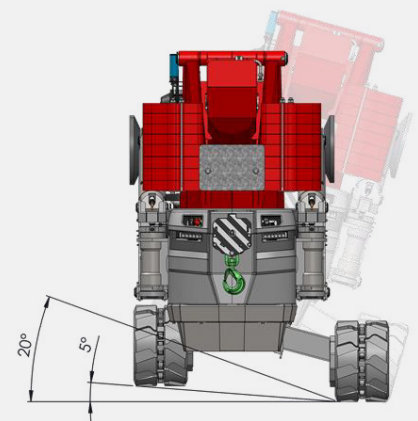
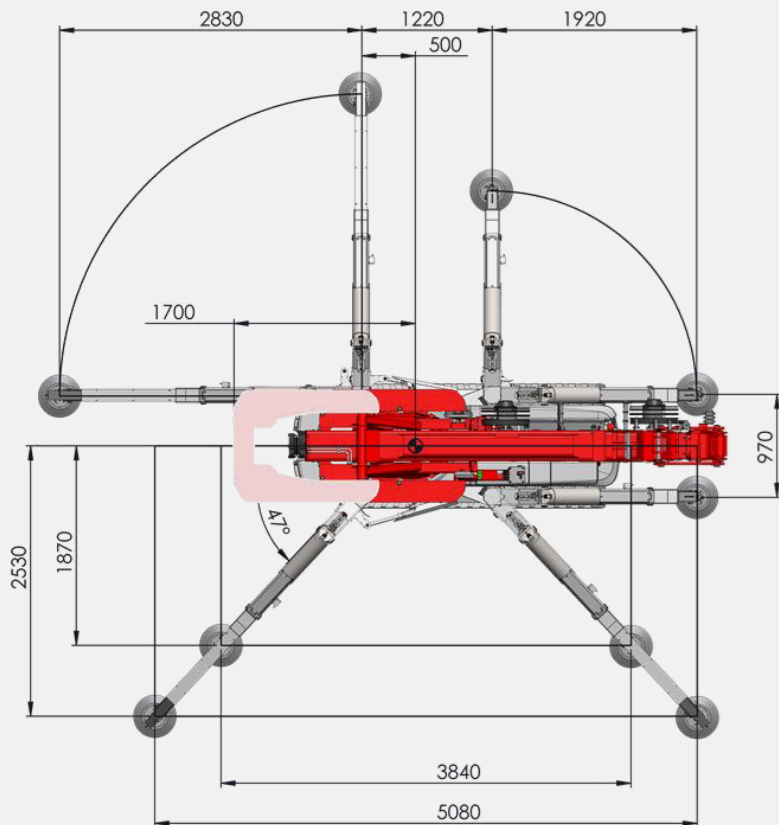
## **NEW!** THE COMPACT **E**POWER

We are proud to present you a fully lithium powered pick & carry crane. Hoeflon is ready for the future. The C30e is a state of the art crane with an easy operation. The possibilities are endless as the machine features highly intelligent software. In this way, the crane operator can completely focus on his lifting work.

A blue handwritten signature, likely belonging to a representative of the company, positioned at the bottom of the page.

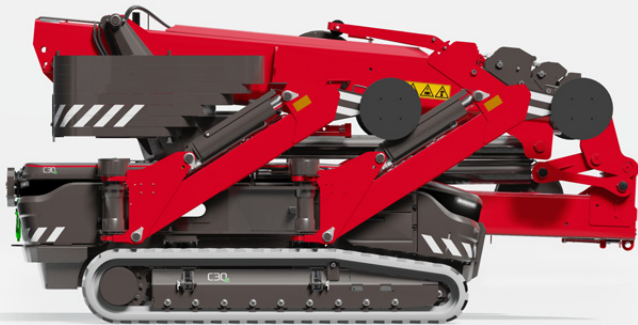
# SPIDER CRANE C30e

The C30e features a stepless outrigger system. Every outrigger knows its position to measure the lifting capacity. Due to the low center of gravity of the crane and its extendable tracks, the crane is capable to drive through rough terrain and up and down hills. The machine has a large ground clearance by the oblique tracks positions. The C30e is short by the compact main boom and undercarriage. The pick & carry crane can transport a steel beam on side of it.





# STANDARD RICHLY EQUIPPED



## BASIC DATA

Capacity crane	8000kg
Capacity Pick & Carry	2000kg
Hoisting height	21,5m with jib 22.9
Boom outreach	12,2m with jib 20m
Total weight	9000kg
Extendable and removable ballast	2350kg

## PICK AND CARRY UNDERCARRIAGE

Driving speed	1st speed: 0,75 km/h
	2nd speed: 1,5 km/h
Tracks	Non-marking
Tracks adjustment (hydraulic)	700mm
	Tracks are individually adjustable
Inclination angle driving	20° forward and backward
Ground pressure transport mode	0,76kg/cm <sup>2</sup>
Ground clearance	300mm



## OUTRIGGERS

Outriggers	Stepless rotatable
	Steplessly swiveling outriggers
	Automatic blocking
Measuring system	Redundant
Max. Outrigger pressure	8900kg





## ELECTRIC DRIVE

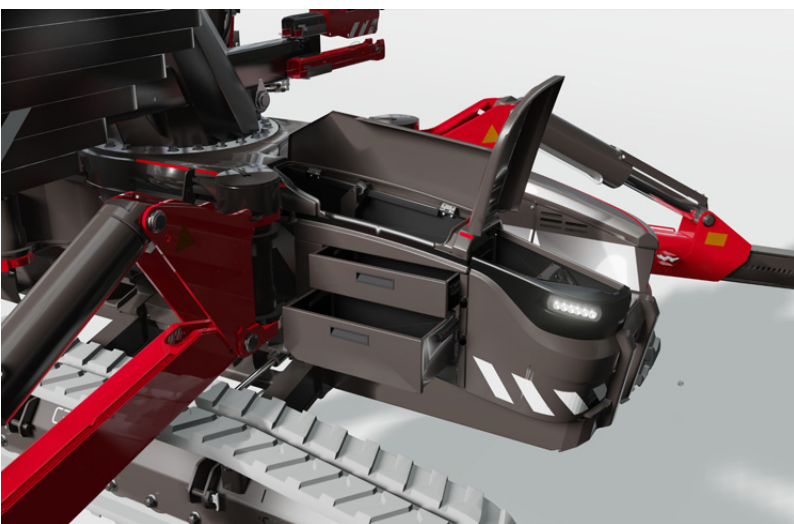
Battery	Lithium
Charger	230V mono fase 400V 3 fase
	Car charging station compatible
Capacity	8 hours hoisting at +/- 60% duty cycle
Charging time	6 hours
Electro motor	12kW
Functional	Use and charge at the same time
Eco regulation	Energy saving regulation

**7X**  
**POWERFUL**  
**BENEFITS AT**  
**A GLANCE**

- STEPLESS OUTRIGGER POSITIONING
- VARIABLE EXTENDABLE OUTRIGGERS
- ENDLESS ROTATION
- FITS THROUGH DOUBLE DOOR
- LITHIUM CRANE
- DRIVING WITH LOAD
- SIMPLE CONTROL

## CONTROL

Remote control	434 MHz
Distance	250m
Display	3.0° TFT LCD
Battery	Exchangeable
Portability	Hip or shoulder strap
Control	Accurate proportional control Wireless connection



## ACCESSOIRES

Drawers	2x slidable
Storage box 1	for remotecontrol
Storage box 2	for lifting devices
Lightning	6 x led worklight
Storage jib	jib can be stored on the machine

Technical modifications reserved.

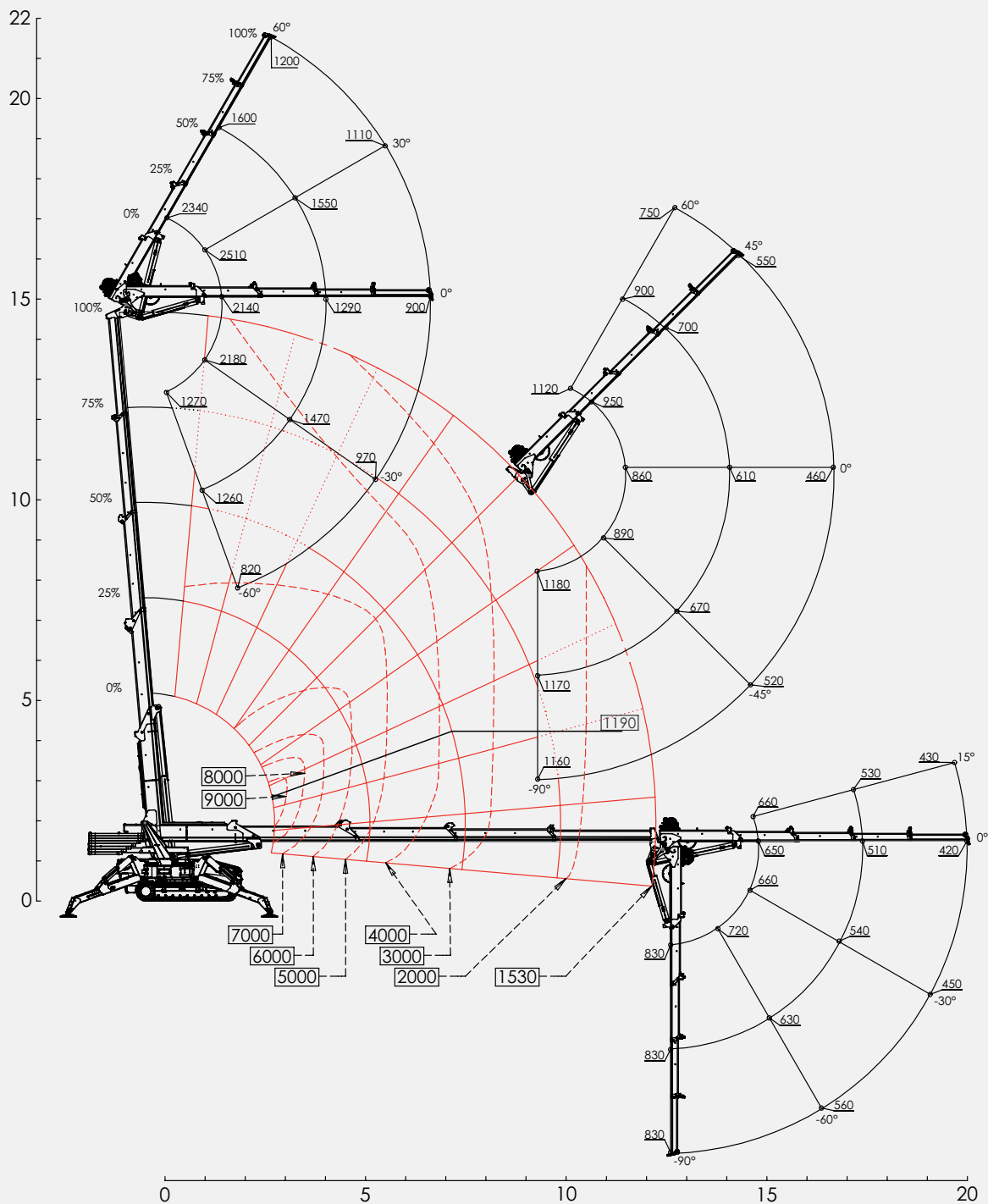
# OPTIONS FOR MORE JOB SATISFACTION

Capacity fly jib	3000kg
Capacity winch on fly jib	1000kg, 2000kg and 3000kg
Extra accu pack	+ 33% capacity
Portal connection	Online support
Attachments	Manipulator, vacuum lifter

Winch



Online support







“ ALWAYS STABLE  
REGARDLESS OF  
THE SURFACE



# C30<sup>e</sup>

EASY PICK  
& CARRY

## GET IN TOUCH

Hoeflon distributes its machines through a worldwide dealer network. Get in touch with your local sales- and service supplier.

Hoeflon dealer



# HOEFLON