

The flexible all-rounder. In a class of its own.

The Kompakt S is a cost-effective multiple-role tractor. And it's packed with extras that make it unique in its class. There is the spaciousness of the platform cab, for example, with its comfortable driver's seat. And there's a passenger seat. Being able to get in and out on both sides, an unrestricted all-round view and a roof window can also not be taken for granted elsewhere. Now you can really look forward to getting to work with first class sound proofing accompanied by a HiFi system with iPod support. The technical data also demonstrate that the Kompakt S is an efficient, multi-faceted tractor with the best cost/benefit ratio.

BEST PERFORMANCE

The 3.2-litre turbo diesel engines deliver an excellent response. Then you can choose between a 12 x 12 transmission and a 12 x 12 with hydraulic Powershuttle, both versions are available with creeper gearbox. The lowest speed with the optional creeper transmission is then 123 metres/h.



POWERFUL AND USER-FRIENDLY

With a maximum lifting power of 2150 kg and up to three rear remotes and two mid-mounted remotes you can operate a wide range of mounted implements.

WELL-EQUIPPED

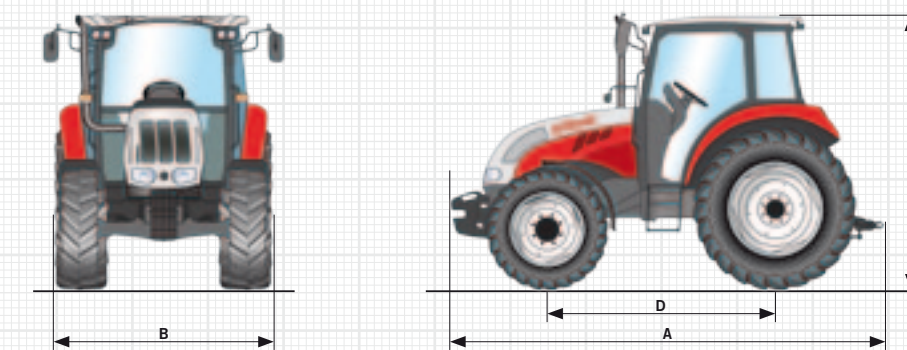
The PTO delivers plenty of torque for mowers, balers or power harrows, while the 540E speed saves fuel for lighter tedding and raking work.

TECHNICAL DATA

MODEL	4055 S	4065 S
ENGINE		
Cylinder / Capacity [cm ³] / Turbo	4 / 3200 / Turbo-charged	
Nominal engine power ECE R120 ¹⁾ at 2300 rpm [kW (hp)]	41/56	48/65
Max. torque ECE R120 ¹⁾ at 1300 rpm [Nm]	221	260
Fuel tank capacity [l]	90	90
TRANSMISSION		
12 x 12 reversing transmission - standard / optional	with Synchroshuttle / with hydraulic Powershuttle	
20 x 20 reversing transmission with creeper - standard / optional	with Synchroshuttle / with hydraulic Powershuttle	
DRIVELINE AND STEERING		
4WD	electro-hydraulic operation with differential lock	
Turning radius [mm]	3,750	3,750
PTO		
Type	electro-hydraulic operation	
Rear PTO with speeds / Option	540 – 540E / 540 – 540E with ground speed	540 – 540E / 540 – 540E with ground speed
HYDRAULICS		
Max. pump flow / Steering pump [l/min]	49/28	49/28
Max. lift capacity [kg]	2,150	2,150
STANDARD TYRES		
Front	11.2R24 (280/85R24)	11.2R24 (280/85R24)
Rear	16.9R30 (420/85R30)	16.9R30 (420/85R30)

1) ECE R120 corresponds to ISO 14396 and 97/68EC

STEYR KOMPAKT S DIMENSIONS:

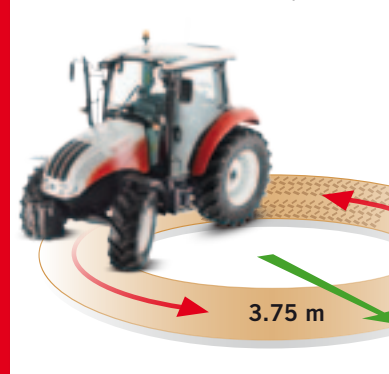


DIMENSIONS ²⁾	4055 S	4065 S
Min.: A length/B width/C height [mm]	3,789/1,922/2,420	
D wheelbase [mm]	2,102	
WEIGHT ²⁾	4055 S	4065 S
Min. tare weight [kg]	2,800	

2) with standard tyres

SUPERB MANOEUVRABILITY.

The sleek engine design, central driveline and a steering lock of 55 degrees give you excellent handling and a turning radius of just 3.75 m.



The flexible all-rounder.

"S" stands for **strong** in performance and **saving** in consumption. Perfect for small businesses, mountain farms, fruit and vegetables, gardeners, vineyards and municipal operations.

OUR WORK. OUR STRENGTH. OUR STEYR.

www.steyr-traktoren.com



ILLUMINATION FROM ABOVE

The floodlights mounted on the roof and up to six work lights turn night to day. This means that the familiar 360-degree view from the cab is maintained as well as a clear view of the front loader, even when raised thanks to the transparent cab roof.

LOW WEIGHT, HIGH PERFORMANCE

With its comparatively light weight of 2800 kg and excellent manoeuvrability, the Kompakt S possesses mountaineering qualities. And its not just in the alpine sector, but also around the yard, in vineyards and in landscaping businesses that it proves to be a reliable helper.



An investment that makes sense:

- Cost-effective when buying, operating and servicing
- Highest degree of comfort, flat cab floor, roof window, pivoting front windscreen and side windows
- Comfortable passenger seat with safety belt
- Easy to use: integrated joystick for front loader
- Thanks to low construction (height 2420 mm) it's ideal for work around the yard and inside sheds
- Highly efficient 3.2 l turbo-charged 56 or 65 hp engine
- Synchronous transmission with 12 x 12 speeds or 20 x 20 speeds with creep gearbox
- Quick and easy to manoeuvre with hydraulic Powershuttle
- Light and manoeuvrable (weight 2800 kg, turning circle 3.75 m)
- Up to 3 extra remotes at rear plus 2 optional mid-mounted units
- 4WD for especially difficult terrain

The entry-level Kompakt class.

The Steyr Kompakt S was developed together with our customers. Just like the legendary classics, the type 80, 84, 86 and the Steyr Plus series, which used to be found on nearly every farm. The Kompakt S features excellent manoeuvrability, best visibility and optimum handling and adapts perfectly to any job: economical, light and manoeuvrable like a small tractor, at the same time spacious, reliable and powerful like a big tractor. The ideal all-rounder. For working in the farmyard, livestock units and grassland. For farms in alpine locations. For vineyards, orchards and vegetable fields with widely-spaced crop rows. For gardeners, machine rings and industry, or for municipal operators with constantly changing applications.

Regardless where the Kompakt S is in operation - it sets a new benchmark in versatility.



www.steyr-traktoren.com



Comfort combined with efficiency.

- 1 Ergonomic control layout with comfortable passenger seat
- 2 Perfect all-round visibility for an easier working day
- 3 Roof window - ideal for front loader work
- 4 Perfect handling - everything in easy reach and logically placed
- 5 Hydraulic Powershuttle for best manoeuvrability

The Steyr service concept:

In addition to the reliability of your Kompakt S tractor you can also enjoy the reliability of the Steyr service team, which is available to assist you with trained technicians at any time. The same reliability applies to Original Steyr spare parts, which are quickly dispatched to your dealer. **You Steyr dealer would also be pleased to discuss finance opportunities for your new tractor.**

