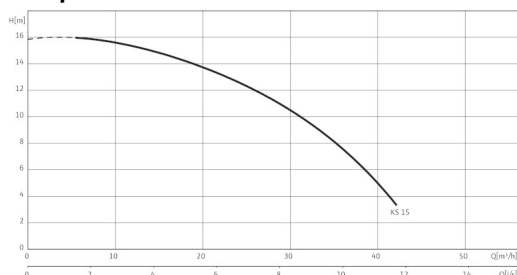


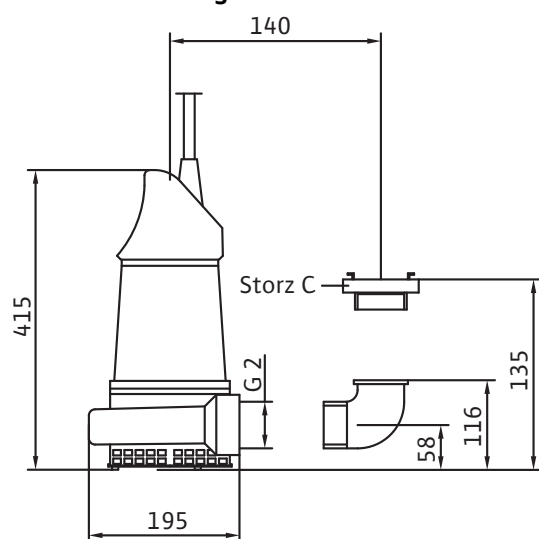
## Data sheet: Wilo-EMU KS 15 D

### Pump curves Wilo-EMU KS 15 - 50 Hz - 2900 rpm



Pump curves in accordance with ISO 9906, Appendix A

### Dimension drawing Wilo-EMU KS 15



#### Unit

Max. delivery head	$H_{max}$	15 m
Max. volume flow	$Q_{max}$	42 m <sup>3</sup> /h
Optimal delivery head	$H_{opt}$	12 m
Optimum volume flow	$Q_{opt}$	26 m <sup>3</sup> /h
Pressure connection	G 2	
Flange (in accordance with EN 1092-2)	PN	10
Free ball passage	10 mm	
Operating mode (immersed)	S1	
Operating mode (non-immersed)	S1	
Max. immersion depth	12.5000 m	
Protection class	IP 68	
Fluid temperature	$T$	+3 ... +40 °C
Weight approx.	$m$	23 kg

#### Motor data

Mains connection	3~400 V, 50 Hz	
Nominal current	$I_N$	3.20 A
Nominal motor power	$P_2$	1.30 kW
Power consumption	$P_1$	1.90 kW
Activation type	Direct	
Nominal speed	$n$	2900 rpm
No. of poles	2	
Insulation class	F	
Max. switching frequency	15 1/h	

#### Cable

Length of connecting cable	10 m	
Cable type	H07RN-F	
Cable cross-section	4G1,5 mm <sup>2</sup>	
Type of connecting cable	Detachable	
Mains plug	CEE M 16 W	

#### Equipment/function

Float switch	-	
Motor protection	-	
Explosion protection	-	

#### Materials

Static seal	FPM	
Impeller	EN-GJL-250	

## Data sheet: Wilo-EMU KS 15 D

Sealing on motor side	C/Al-oxides
Mechanical seal	SiC/SiC
Motor housing	G-Al Si12
Pump housing	EN-GJL-250

### Information for order placements

Make	Wilo
Art no.	6019450
EAN number	4044966092293
Ready for delivery	Stock
Price group	W8