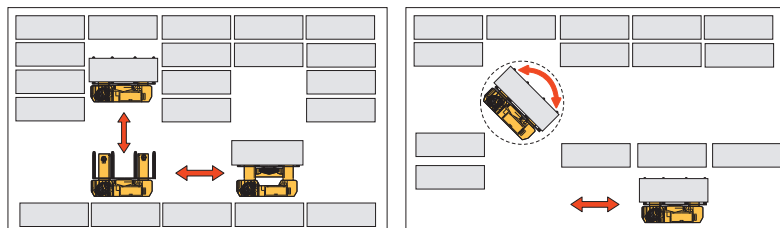


Electronic four-way sideloader

Electronic-fourway-sideloader, lifting height from 3.200 up to 6.700 mm (standard). Hydraulic power steering, steering column multiple adjustable, LCD display (Logic Control). Proportional control for all hydraulic functions by joystick, microprocessor controls for traction, lifting and wheel positioning. Developed to reduce the aisle width to the minimum necessary and to reduce the warehouse space up to 45%, seen that it can work sideways and also in parallel travel. It is characterized by its handiness and compact dimensions, suitable for all commodity uses.



we make ideas alive

OMG S.p.A.
via dell'Artigianato, 12
46023 - GONZAGA (MN) Italy
Tel. + 39 0376 52.60.11
Fax. + 39 0376 58.80.08
www.omgindustry.com
info@omgindustry.com



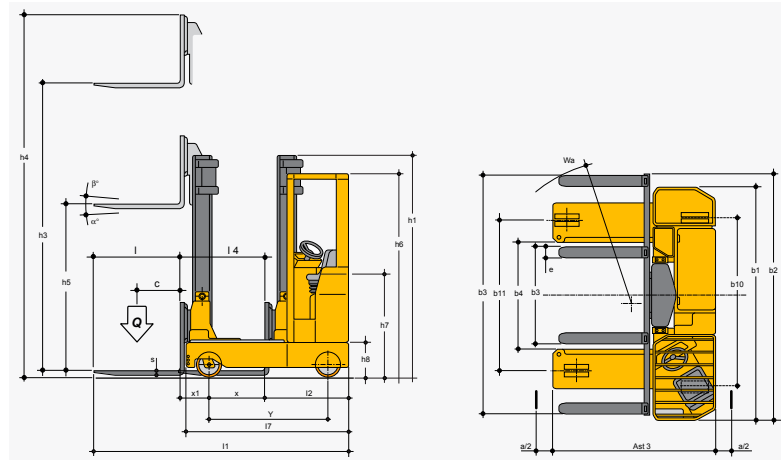
Azienda Certificata
ISO 9001:2008 N°7236 MN
ISO 9001:2008 N°23355

| Characteristics | OMG S.p.A. | | |
|--|---------------------------|-------------------|------------|
| | LAT 20 | LAT 25 | |
| 1.1 Manufacturer | | | |
| 1.2 Manufacturer's model designation T = integrated side-shift | | | |
| 1.3 Drive : E (electric) | E | | |
| 1.4 Type of control : S (steering wheel) R (seated) | S / R | | |
| 1.5 Load capacity | Q (t) | 2.0 | 2.5 |
| 1.6 Load centre distance | c (mm) | 600 | |
| 1.8 Load distance, centre of drive axle to fork Mast advanced | X (mm) X1 (mm) | 1.090 247 | |
| 1.9 Wheelbase | Y (mm) | 1.800 | |
| 2.1 Service weight (battery included) | Kg | 5.920 | |
| 2.3 Axle loading mast retracted (without load) | front / rear Kg | 4.690 / 1.230 | |
| 2.4 Axle loading mast advanced (with load) | front / rear Kg | 2.400 / 6.170 | |
| 2.5 Axle loading mast retracted (with load) | front / rear Kg | 5.110 / 3.320 | |
| 3.1 Tyres : vfk (vulkollan) se (superelastic) | vfk | | |
| 3.2 Front wheels size | mm | 300 | |
| 3.3 Rear wheels size | mm | 300 / 343 | |
| 3.5 Wheels : number front / rear (x = traction) | 1x + 2 / 4 | | |
| 3.7 Rear track width | b 11 (mm) | 1.880 | |
| 4.1 Mast / fork carriage tilted forward / backward | a / b | 2 / 5 | |
| 4.2 Lowered mast height | h1 (mm) | 2.940 | |
| 4.3 Free lift | h5 (mm) | 2.040 | |
| 4.4 Lifting height | h3 (mm) | 6.160 | |
| 4.5 Extended mast height | h4 (mm) | 7.200 | |
| 4.7 Overhead guard (cab) height | h6 (mm) | 2.498 | |
| 4.8 Seat height | h7 (mm) | 1.263 | |
| 4.10 Height of wheels arm | h8 (mm) | 420 | |
| 4.19 Total length | l1 (mm) | 3.430 | |
| 4.20 Length to forks face | l2 (mm) | 940 | |
| 4.21 Overall width | b1 / b2 (mm) | 2.860 | |
| 4.22 Forks dimensions | s / e / l | 40 / 120 / 1.200 | |
| 4.23 Fork carriage, class / type A, B | | | |
| 4.24 Fork carriage width | b5 (mm) | | |
| 4.25 Width over forks | b3 (mm) | 1.200 / 2.940 | |
| 4.26 Distance between support arms / loading surfaces | b4 (mm) | 1.287 | |
| 4.28 Reach distance | l4 (mm) | 1.340 | |
| 4.32 Ground clearance | m2 (mm) | 113 | |
| 4.33 Aisle width with pallets 1000 x 1200 forking side 1200 | Ast3 (mm) | | |
| 4.34 Aisle width with pallets 800 x 1200 forking side 800 | Ast3 (mm) | 2.400 | |
| 4.35 Turning radius | Wa (mm) | 1.880 | |
| 4.37 Length across wheel arms | l7 (mm) | 2.200 | |
| 5.1 Travel speed | laden / unladen Km / h | 8.5 / 9.5 | |
| 5.2 Lifting speed | laden / unladen m / s | 0.25 / 0.3 | 0.22 / 0.3 |
| 5.3 Lowering speed | laden / unladen m / s | 0.3 / 0.48 | |
| 5.4 Reach speed | laden / unladen m / s | 0.53 / 0.6 | |
| 5.7 Gradient performance | % | | |
| 5.8 Max gradient performance | % | 5 | |
| 5.9 Acceleration time (10 m) | s | | |
| 5.10 Service brake M (mechanical) I (hydraulic) IV (inversion braking) | | M / I | |
| 6.1 Traction motor, rating S2 60 min | KW | 6 | |
| 6.2 Lifting motor, rating S3 15% | KW | 9 | |
| 6.3 Battery according DIN 43531 / 35 / 36 A, B, C, no | | DIN | |
| 6.4 Battery voltage, nominal capacity K5 | V / Ah | 48 / 700 | |
| 6.5 Battery weight (± 5 %) | Kg | 1.100 | |
| Battery dimensions l / w / h | L/W/H mm | 1.220 / 424 / 784 | |
| 8.1 Type of travel control | | MOS DC | |
| 8.2 Operating pressure for attachments | bar | 180 | |
| 8.3 Oil volume for attachments (max available) | l / min | 25 | |
| 8.4 Sound level at driver's ear | dB (A) | < 70 | |

Technical specification according VDI 2198

Information and data are given for information only, OMG S.p.A. will have the sole right for technical changes and improvements without giving any notice.

| | | | |
|--|---|--|---|
| servo-steering | s | 2 additional forks hydraulically hinged | o |
| flashing beacon | s | side rollers | o |
| reverse buzzer | s | full free lift for duplex mast | o |
| tilting forks | s | manual pre-selector for picking/stacking | o |
| electronic control for wheels position | s | extra hydraulic function | o |
| suspended comfort seat | s | video camera with monitor inside the cab | o |
| wider fork holder plate | o | lifting height indicator | o |
| 2 additional fixed forks | o | automatic battery refilling | o |
| s=standard | | o=option | |



| | | LAT 20 | LAT 25 | | | |
|--------------|----|--------|--------|-------|-------|-------|
| h3 | | h1 | h4 | h5 | (Q) t | (Q) t |
| 3.160 dx | mm | 2.450 | 4.200 | 1.600 | 2.0 | 2.5 |
| 4.160 dx | mm | 2.950 | 5.200 | 2.100 | 2.0 | 2.5 |
| 5.160 dx | mm | 3.450 | 6.200 | 2.600 | 2.0 | 2.5 |
| 6.160 dx | mm | 3.950 | 7.200 | 3.100 | 1.8 | 2.3 |
| 6.660 dx | mm | 4.200 | 7.700 | 3.350 | 1.7 | 2.2 |
| 5.160 tx ffl | mm | 2.610 | 6.200 | 1.710 | 2.0 | 2.5 |
| 6.160 tx ffl | mm | 2.940 | 7.200 | 2.040 | 1.8 | 2.3 |
| 6.660 tx ffl | mm | 3.110 | 7.700 | 2.210 | 1.7 | 2.2 |