

Rider seated lowlifter truck 2.0 ton

BT levio

R-series

LRE200



Rider seated lowlifter

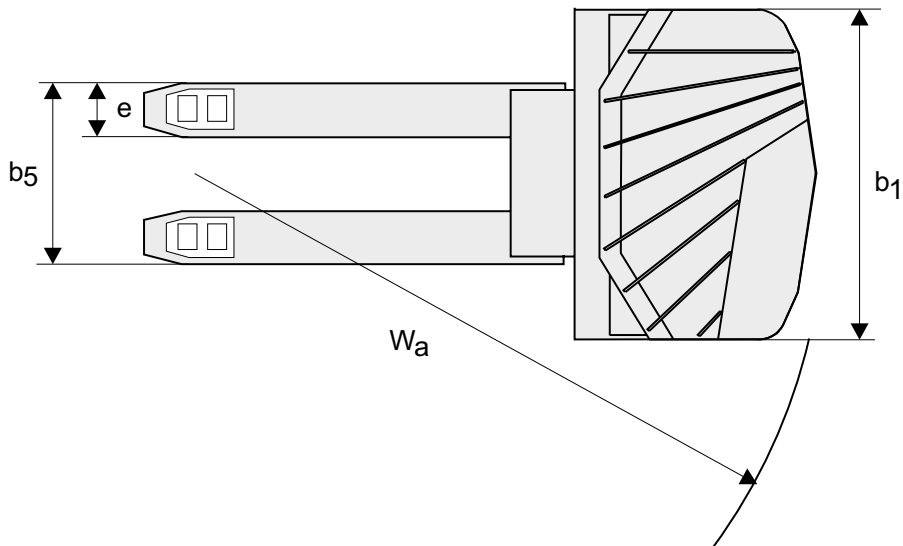
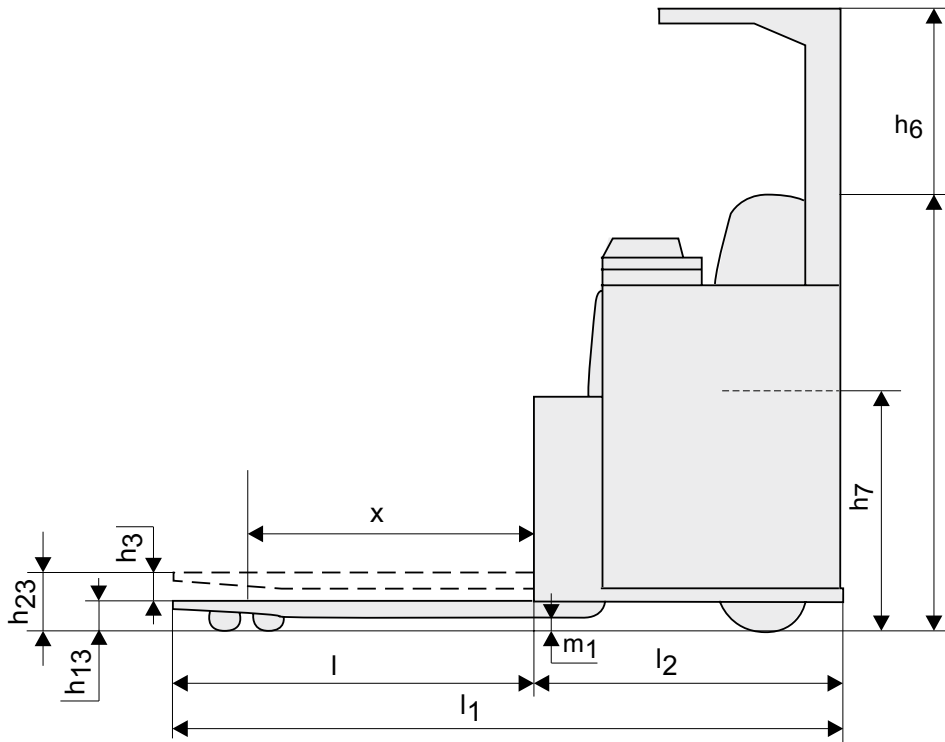
Specifications					LRE200
Identification	1.1	Manufacturer			BT
	1.2	Model			LRE200
	1.3	Drive			Electric
	1.4	Operator type			Seated
	1.5	Load capacity/rated load	Q	kg	2000
	1.6	Load centre	c	mm	600
	1.8	Load distance, front axle to front face, fork raised/lowered	x	mm	899/956
Weight	2.1	Service weight without battery		kg	750
	2.2	Axle load, with load, drive/castor/fork wheel		kg	1490/1860
	2.3	Axle load, without load, drive/castor/fork wheel		kg	1045/305
Wheels	3.1	Drive/castor/fork wheel			Polyurethane
	3.2	Wheel size, front		mm	Ø 80
	3.3	Wheel size, rear		mm	Ø 250
Dimensions	4.4	Lift	h_3	mm	120
		Lift height	h_{23}	mm	205
	4.7	Height of truck, min./max.	h_6	mm	1425/1980
	4.8	Height of drivers seat	h_7	mm	900-980
	4.15	Height, fork lowered	h_{13}	mm	85
	4.19	Overall length	l_1	mm	2124
	4.20	Length to face of forks	l_2	mm	974
	4.21	Overall width	b_1	mm	1020
	4.22	Fork dimensions	e/l	mm	180/1150
	4.25	Width over forks	b_5	mm	520/570/685
	4.32	Ground clearance, centre of wheelbase	m_1	mm	28
4.35	Turning radius	W_a	mm	1910	
Performance data	5.1	Travel speed, with/without load		km/h	8,6/10,1
	5.2	Lift speed, with/without load		m/s	0,04/0,05
	5.3	lowering speed, with/without load		m/s	0,04/0,03
	5.8	Max. gradeability, with/without load ¹⁾		%	8/15
	5.10	Service brake			Hydraulic
Electric motor	6.1	Drive motor rating S2 60 min		kW	2,6
	6.2	Lift motor rating at S3 10%		kW	2,0
	6.4	Battery voltage/nominal capacity K_5		V/Ah	24/375-620
	6.5	Battery weight, min./max.		kg	382/490
Others	8.1	Type of drive control			Stepless

1) Measured according to company standard.

All data are based on table configuration. Other configurations may give other values.

Truck performance and dimensions are nominal and subject to tolerances.

BT products and specifications are subject to change without notice.



Truck features:

- Adjustable BT Control console
- Information display
- Electronic steering
- Driver detection system
- Clear-view overhead guard
- Adjustable seat
- Adjustable steering wheel
- Easy access for maintenance

