

MULAG

Innovative Technologies for Roadside Maintenance Equipment



Front-Mounted Mower

MFK 500

Front-Mounted Mower MFK 500

Technical Data

Reach	6,0 m (from center of vehicle)
Application	Right- and left-hand use possible
Lateral Shift	1800 mm
Type of Fitting	Front mounting plate size 3 and 5
Drive	- vehicle power hydraulic system - front PTO shaft
Safety-Stop	Electrical operation of working attachment with safety stop within 4 sec (option)
Control	- electro-hydraulic Black/White with two-step AES (power arm relief control) - CAN-BUS / proportional with variable AER (option) - CAN-BUS / proportional with power arm relief control type Mähtronic (option)



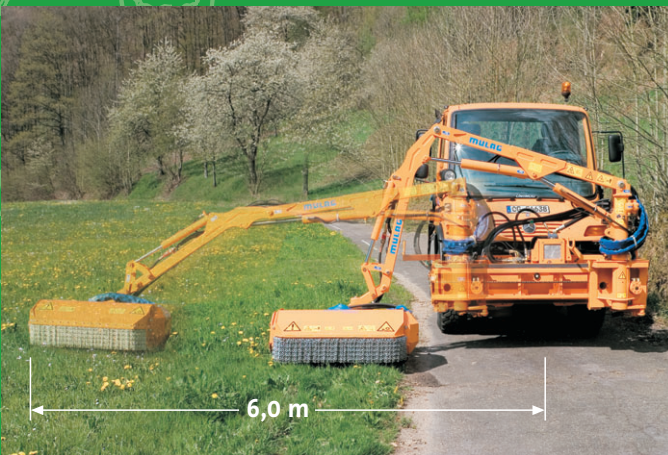
MFK 500 in transport position



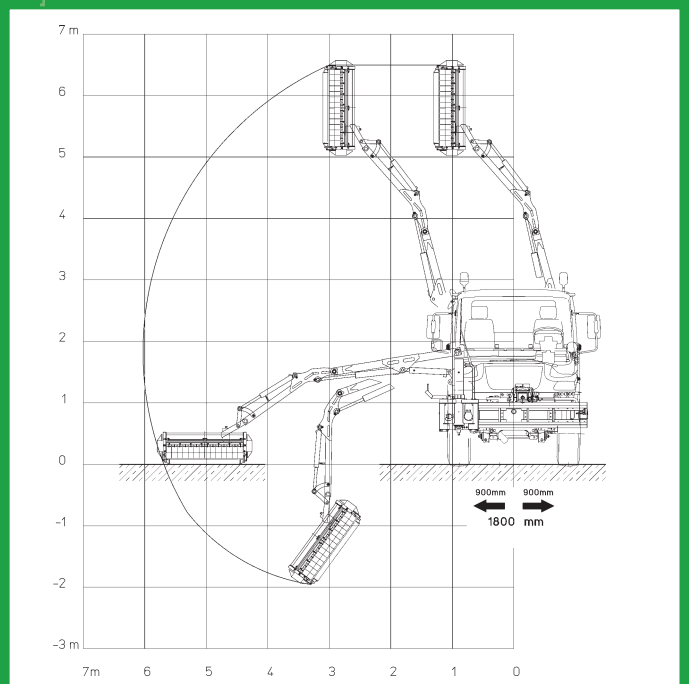
Compact design front-mounted to the Unimog



Multi-functional one-handed control (option)



Considerable reach of 6,0 m for extensive road work



Quick and easy roadside maintenance – reach diagram MFK 500

Distributor

Manufacturer

MULAG

MULAG Fahrzeugwerk
Heinz Wössner GmbH u. Co. KG
Gewerbstraße 8
77728 Oppenau
Germany

Phone +49-(0)7804-913-0

Fax +49-(0)7804-913-163

E-mail info@mulag.de

Web www.mulag.de