

MLT 634 | 735 | 741

AGRICULTURAL HANDLING solutions



 **MANITOU**

www.manitou.com

A PASSION FOR FARMING



As partners to the farming industry for more than 20 years, we know your business is demanding, and on today's modern farm the materials handling plays an important part in the daily farm handling jobs, so you can be sure you'll be able to find within our range **THE MANITOU** you need.

The MLT 634, 735, 741 rough terrain telehandlers are the ideal choice for **performance**. Their impressive capabilities enable you to carry out all your **farm handling tasks**: animal feed, harvesting work, bulk

loading and unloading.

Arable, dairy and livestock farmers, cereal growers, cooperatives and agricultural contractors will appreciate the qualities of this machine. More than just a handling solution, MANITOU offers you a product which both looks good and is comfortable to use: inside and outside have been cleverly designed to satisfy you. The MLT benefit from innovations such as: JSM^{®*}, Evolution cab, ECS^{**}... In short you gain in both **comfort** and **productivity**.

When you choose MANITOU, you can count on a fork lift truck for long term durability. You also benefit from the package of services provided by your dealer: after-sales service, servicing and maintenance contracts, on-site repairs and financing solutions.

Why all this? Because, like you, we take pleasure in **a job well done!**



* Joystick Switch and Move, patent applied for by MANITOU BF
** Easy Connect System: hydraulic decompression of the accessory line





**A real agricultural
handling **solution****

PERFORMANCE ON YOUR FARM

Up to 4.1 T:

3.4, 3.5 or 4.1 T, you choose your maximum capacity depending on your needs.

6.90 m:

The boom of your MLT lets you place loads up to 6.90 m in height.

360°:

Benefit from an optimum visibility thanks to the new design of the machine.



Efficiency with effortless simplicity

These machines come with a **122 HP** engine coupled to a **four-speed manual gearbox or six-speed Powershift** and a **150 l/min variable flow rate pump**.



Goes anywhere

Agricultural profile tyres, high ground clearance (44 cm) and an impressive tractive effort will ensure **you can work on the most difficult ground conditions**. The MLT has been developed to help you manage your everyday farm duties.



MORE COMFORT...



Farming has changed a lot, handling as well.

The interior of the MLT leaves nothing to be desired with its superb bodywork. The driving position has been **ergonomically designed** for maximum comfort. It is fitted with a cloth seat and the fully adjustable steering column can be adapted to suit. Ventilation outlets, sun visor, roof screen, all help to provide you with a comfortable working environment.

Exclusive to MANITOU, **JSM®** lets you control all movements with one hand safely and effortlessly: raising and lowering the boom, crowding and tilting, auxiliary service for operating attachments and also forward/reverse direction of travel. You always keep one hand on the steering wheel to maintain full control of your MLT.

Low noise levels are achieved through the full **soundproofing** of the cab (only 79 dB) and the insulation of the engine compartment.

The dashboard has a display which gives all the information you need during your working day including hour meter, speed, oil temperature, fuel level.

For still more comfort, the Evolution cab gives you all the space you need to feel comfortable throughout the working day.



JSM[®] control
New digital display
Phone holder





LED worklights:
changing night
into day!

EACH TO THEIR OWN **STYLE**




Reacting to customer choice is a MANITOU principle. That's the reason you can **choose** between 3 levels of finish: **Classic, Premium and Elite.**

Because all your requirements are important, MANITOU provides you with complete peace of mind in all versions of the MLT.



Standard and optional equipment

 **CLASSIC**  **PREMIUM**  **ELITE**

	 CLASSIC	 PREMIUM	 ELITE
Fork carriage	●	●	●
Rear-view mirror	●	●	●
Radiator auto cleaning system	●	●	●
Radio player	●	–	–
CD/MP3 car radio	○	●	–
Bluetooth car radio	○	○	●
Mechanical cloth seat	●	–	–
Pneumatic cloth seat	○	●	–
Low-frequency pneumatic cloth seat	○	○	●
Air conditioning	○	●	●
Attachment line decompression system: Easy Connect System	○	●	●
Boom suspension	○	○	●
Self-cleaning pre-filter	○	○	●
Hydraulic locking (accessories)	○	○	○
Reversing warning buzzer	○	○	○
Internal rear-view mirror	○	○	○
Manual accelerator	○	○	●
LED worklights	○	○	●

● Standard ○ Options – Not available

DESIGNED TO OPTIMISE POWER AND FUEL EFFICIENCY



Each telehandler must have a **suitable power unit** to give you the best engine/machine torque: too little power and you lose efficiency, too much power could increase consumption to no effect.

The MLT 634, 735, 741 are supplied with a DEUTZ **3.6 l, 122 HP**, four cylinder turbo engine. Providing you with the capacities required and an ideal power/weight ratio, this engine will support you in everything you do.

All the major components of your machine (power unit, transmission, axles, hydraulics and tyres) are combined in such a way as to optimise the power produced by your engine.

MANITOU is the first manufacturer to give information on the fuel consumption of its machines in different applications (further information on REDUCE program on page 16).

MLT 735 120 PS fuel consumption:





Up to **16% fuel saving***

* Compared to the previous model equivalent 3A engine



MANITOU attachments:
performance and **safety**

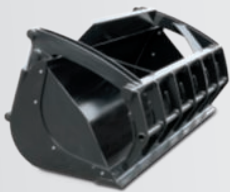
YOU WILL HAVE TIME TO SPARE

Save yourself time to concentrate on what matters - that's MANITOU's philosophy when it comes to handling: fast working cycles and driver comfort are good examples.

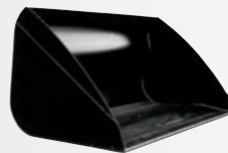
For maximum efficiency, MANITOU offers you a machine which is simple to use. **Quick and easy to learn** (JSM[®], controls perfectly placed), your machine is the solution to all your farm handling duties.

Performance is essential! With your MLT, you will be able to do even more work: the more time you spend at the wheel the more your efficiency will be increased.

Your productivity and safety depends on **attachments that are tailored** to your handler's specifications. When developing our machines we match the attachment that will be able to give you optimal performance and that comply with the norms in force. Choose a MANITOU approved accessory, the best choice for your MLT!



Multifunction grab bucket



Light Material Bucket



Pickup Sweeper



Intensive bale clamp



Shear grab bucket



High Pressure Cleaner

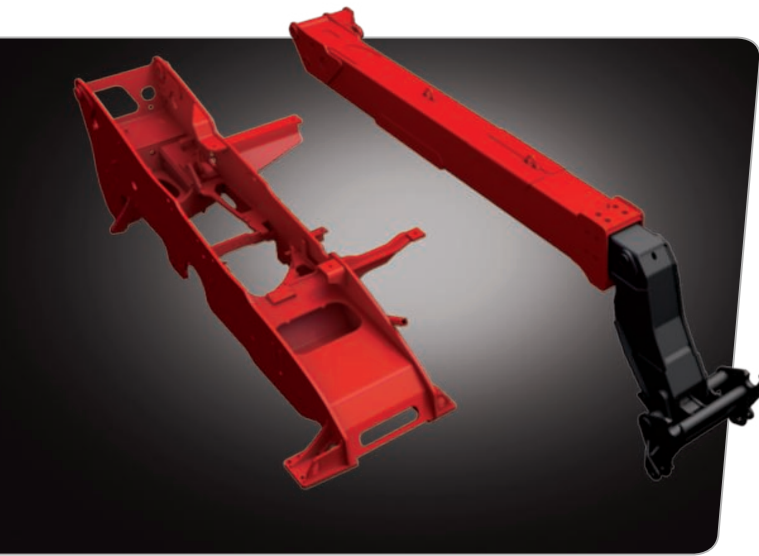
150 l/min:

The piston pump of your MLT, combined with the JSM[®], delivers a maximum flow rate of 150 l/min for quick and accurate movements.

4 x 4 x 4:

4 wheeldrive and 4 wheelsteer = manoeuvrability for getting out of all situations.

A REAL **KNOW-HOW**



Our **design department**, employing more than 200 engineers and technicians, have specialised in the design of agricultural telehandlers for **more than 20 years**. With more than 50 registered patents, our knowledge and expertise with regard to the structure of the machine offers you reliability and durability. A fully comprehensive testing procedure and "best practice" methods are applied to ensure quality manufacturing at all levels, utilising all the latest modern technology.

Specialists in agriculture, MANITOU develop their product range with the customer in mind, selecting components to suit the most arduous farm handling needs, your machine like the MANITOU company is **100% dedicated to agriculture**: the tyres, transmission and even the cooling system have been logically chosen and assembled.

YOU ARE **PROTECTED**

Your working environment must above all be a safe area.

The excellent **stability** of the MLT 634, 735, 741 combined with the aggravating movement arrestor allows you to handle maximum loads up to **4.1 tonnes** with complete confidence.

Your **safety** is further reinforced by the presence **detectors** located in the seat. Travel movements are only allowed when you are sitting in the driving seat.

The cab has been especially designed to protect you. Satisfying **ROPS/FOPS* requirements**, withstanding rolling over, heavy objects falling and therefore prevents distortion to the cab.

A large window area, lateral engine, low boom pivot as well as the high seating position gives you **360° visibility** guaranteeing both your own safety.

* ROPS: rollover protection structure
FOPS: falling objects protection structure



MANITOU SERVICES



Tailor-made finance to make the best use of your funds

You can plan the purchase of your forklift with peace of mind by using MANITOU* financing opportunities.

You will have simple solutions adapted to your needs and seasonal requirements. If you want to make a rapid investment, consider asking us for a personalised proposal to take your situation into account.

* MANITOU Finance solutions are available in certain countries.

MANITOU maintenance contract

2 levels of maintenance adapted to your needs.

You are sure of:

- equipment always in good working condition
- a reduction of repair costs as a result of regular servicing
- authentic standardised services

- Labour
- Attendance costs



- Labour
- Attendance costs
- Parts and lubricants



Extension of guarantee Maniplus

With MANIPLUS, you can take out an extension of guarantee of 12 or 24 months.

EASY MANAGER

A simple and flexible system for fleet management (with or without geolocation) to provide optimum service from your machines. EASY MANAGER gives you:

- real-time materials management
- simple and easy way of managing your machinery activity and maintenance
- maximise your asset and safeguard your equipment



MANITOU spare parts

Utilising genuine MANITOU spare parts is sure to prolong the best performance capability of your machine. Your MANITOU dealer has access to a stock of 70,000 part numbers, available in 24 hours in Europe (48 hours outside Europe).



REDUCE YOUR ECOLOGICAL FOOTPRINT

MANITOU, FOR SUSTAINABLE DEVELOPMENT

The MANITOU Group is engaged in a CSR (Corporate Social Responsibility) approach focussing on three areas of improvement: **products and services, people and suppliers.**

The environment, the safety and the health of our customers are priority considerations in the design of our products. Our "Research and Development" teams work to improve the **environmental balance** of our machines. This overall assessment takes account of impacts **from component selection through to the end of product life**, and serves to identify additional levers of improvement, such as recyclability, for limiting the environmental impacts of MANITOU machines.

The ISO 14001 certification of our production site at Ancenis ensures that the impact of our industrial activities on the natural environment is controlled. As part of a process of continuous improvement, three of the group's other production sites have also obtained ISO 14001 certification, and **100% of the waste products from our French sites** are now **recycled**.

Finally, in order to reduce as much as possible the impacts generated by the use of the machine and **minimise your fuel consumption** and polluting emissions, the engine speed is optimally managed to suit the power demand.

OUR ENERGY EFFICIENCY APPROACH



As part of this CSR approach, the MANITOU Group has created **REDUCE** in order to give you reliable, **clear and transparent information on the actual consumption of its agricultural machinery.**

A Web application enables you to **estimate your annual fuel consumption, your carbon footprint and the savings you can make by using MANITOU machines.**

Discover the **REDUCE** application at reduce.manitou.com



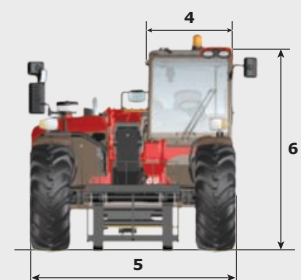
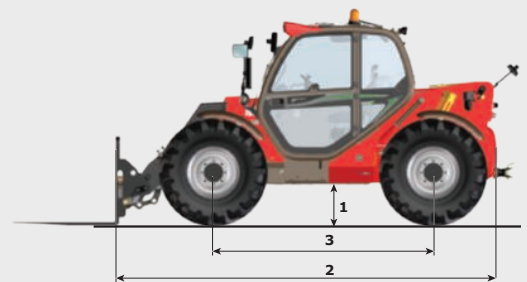
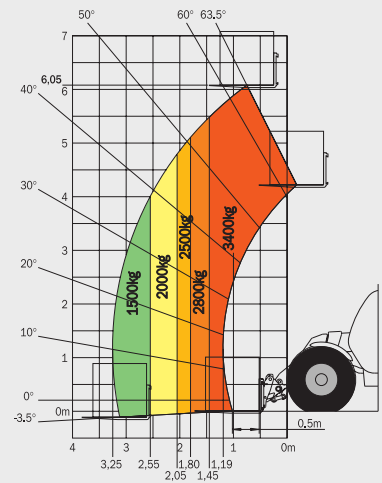
	MLT 634 120	MLT 634 120 PS
--	-------------	----------------

	MLT 634 120	MLT 634 120 PS
Lifting		
Max. capacity	3400 kg	
Max. lifting height	6.05 m	
Max. outreach	3.25 m	
Reach at max. height	0.75 m	
Break-out force with bucket	5200 daN	
Unladen time		
Lifting	6.4 secs	
Lowering	4.65 secs	
Extension	6.1 secs	
Retraction	5.5 secs	
Crowd	3.25 secs	
Dump	2.75 secs	
Tyres	460/70-24	
Service brake	hydraulic oil immersed multi-disc braking on front/rear axles	
Engine	DEUTZ STAGE IIIB	
Type	TCD 3.6 l	
Cubic capacity	3600 cm ³	
Power	122 HP - 90 kW	
Max. torque	465 Nm@1600 rpm	
Injection	direct	
Cooling	air and water	
Laden drawbar pull	8150 daN	
Transmission	torque converter	
Gearbox	Powershuttle	Powershift
Reversing shift	electrohydraulic control	
Number of gears (forward/reverse)	4/4	6/3
Max. travel speed (may vary according to applicable regulations)	35 kph	40 kph
Hydraulics		
Pump	150 l/min - 270 bar	
Control valve	DDIC	
Capacities		
Hydraulic oil	135 l	
Fuel	120 l	
Unladen weight (with forks)	7340 kg	
Dimensions		
1. Ground clearance	0.44 m	
2. Overall length to carriage	4.58 m	
3. Wheelbase	2.56 m	
4. Overall width of cab	0.98 m	
5. Overall width	2.4 m	
6. Overall height	2.35 m	
Standard forks (length x width x thickness)	1200 x 125 x 50 mm	
Turning radius (over tyres)	3.77 m	
Noise and vibration		
Noise at driving position (LpA)	79 dB	
Environmental noise (LwA)	105 db	
Vibration to whole hand/arm	<2.5 m/s ²	

Rough terrain load chart

standard EN1459 B

Machine on tyres with forks



This brochure describes versions and configuration options for MANITOU products which may be fitted with different equipment. The equipment described in this brochure may be standard, optional or not available depending on version. MANITOU reserves the right to change the specifications shown and described at any time and without prior warning. The manufacturer is not liable for the specifications given. For more information, contact your MANITOU dealer. Non-contractual document. Product descriptions may differ from actual products. List of specifications is not comprehensive. The logos and visual identity of the company are the property of MANITOU and may not be used without authorisation. All rights reserved. The photos and diagrams contained in this brochure are provided for information only.

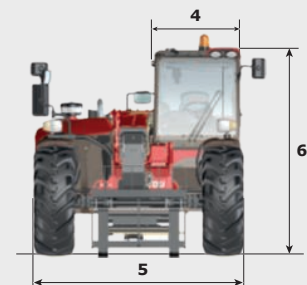
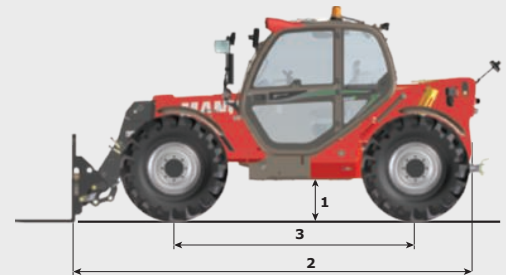
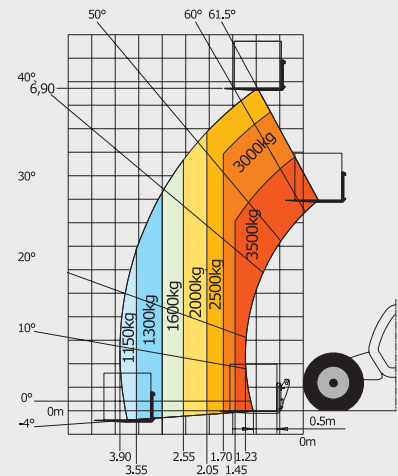
MANITOU BF SA - limited company with board of directors - Share capital: 39,547,824 euros - 857 802 508 RCS Nantes



	MLT 735 120	MLT 735 120 PS
Lifting		
Max. capacity	3500 kg	
Max. lifting height	6.9 m	
Max. outreach	3.9 m	
Reach at max. height	1.03 m	
Break-out force with bucket	3600 daN	
Unladen time		
Lifting	7.3 secs	
Lowering	5.6 secs	
Extension	8.2 secs	
Retraction	6.6 secs	
Crowd	3.2 secs	
Dump	2.7 secs	
Tyres	460/70-24	
Service brake	hydraulic oil immersed multi-disc braking on front/rear axles	
Engine	DEUTZ STAGE IIIB	
Type	TCD 3.6 l	
Cubic capacity	3600 cm ³	
Power	122 HP - 90 kW	
Max. torque	465 Nm@1600 rpm	
Injection	direct	
Cooling	air and water	
Laden drawbar pull	8130 daN	
Transmission	torque converter	
Gearbox	Powershuttle	Powershift
Reversing shift	electrohydraulic control	
Number of gears (forward/reverse)	4/4	6/3
Max. travel speed (may vary according to applicable regulations)	35 kph	40 kph
Hydraulics		
Pump	150 l/min - 270 bar	
Control valve	DDIC	
Capacities		
Hydraulic oil	135 l	
Fuel	120 l	
Unladen weight (with forks)	7080 kg	
Dimensions		
1. Ground clearance	0.44 m	
2. Overall length to carriage	4.87 m	
3. Wheelbase	2.81 m	
4. Overall width of cab	0.98 m	
5. Overall width	2.4 m	
6. Overall height	2.35 m	
Standard forks (length x width x thickness)	1200 x 125 x 50 mm	
Turning radius (over tyres)	3.92 m	
Noise and vibration		
Noise at driving position (LpA)	79 dB	
Environmental noise (LwA)	105 db	
Vibration to whole hand/arm	<2.5 m/s ²	

Rough terrain load chart standard EN1459 B

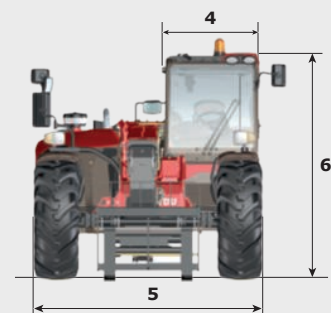
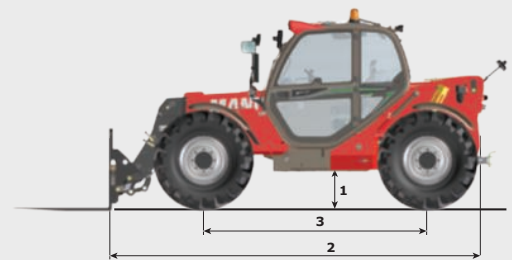
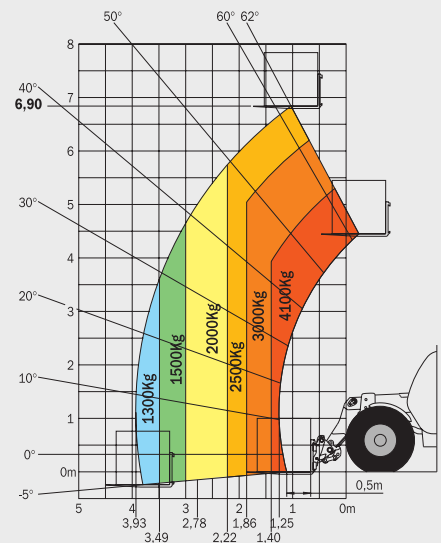
Machine on tyres with forks



	MLT 741 120	MLT 741 120 PS
Lifting		
Max. capacity	4100 kg	
Max. lifting height	6.9 m	
Max. outreach	3.93 m	
Reach at max. height	1.03 m	
Break-out force with bucket	5550 daN	
Unladen time		
Lifting	7 secs	
Lowering	5.30 secs	
Extension	8.20 secs	
Retraction	6.20 secs	
Crowd	3.50 secs	
Dump	3 secs	
Tyres	460/70-24	
Service Brake	hydraulic oil immersed multi-disc braking on front/rear axles	
Engine	DEUTZ STAGE IIIB	
Type	TCD 3.6 l	
Cubic capacity	3600 cm ³	
Power	122 HP - 90 kW	
Max. torque	465 Nm@1400 rpm	
Injection	direct	
Cooling	air and water	
Laden drawbar pull	8060 daN	9045 daN
Transmission	torque converter	
Gearbox	Powershuttle	Powershift
Reversing shift	electrohydraulic control	
Number of gears (forward/reverse)	4/4	6/3
Max. travel speed (may vary according to applicable regulations)	35 kph	40 kph
Hydraulics		
Pump	150 l/min - 270 bar	
Control valve	DDIC	
Capacities		
Hydraulic oil	135 l	
Fuel	120 l	
Unladen weight (with forks)	7495 kg	7650 kg
Dimensions		
1. Ground clearance	0.44 m	
2. Overall length to carriage	4.92 m	
3. Wheelbase	2.81 m	
4. Overall width of cab	0.98 m	
5. Overall width	2.4 m	
6. Overall height	2.35 m	
Standard forks (length x width x thickness)	1200 x 125 x 50 mm	
Turning radius (over tyres)	3.92 m	
Noise and vibration		
Noise at driving position (LpA)	79 dB	
Environmental noise (LwA)	105 dB	
Vibration to whole hand/arm	<2.5 m/s ²	

Rough terrain load chart standard EN1459 B

Machine on tyres with forks



Your nearest **MANITOU** dealer:



Head office:
B.P. 249 - 430 rue de l'Aubinière - 44158 Ancenis Cedex - France
Tel: 00 33 (0)2 40 09 10 11 - Fax: 00 33 (0)2 40 09 10 97
www.manitou.com



facebook.com/manitou.official