

RUBBER CRAWLER CARRIER

CARRIER for SOFT, SANDY and ROUGH TERRAIN



MOROOKA

Made
in
Japan



MST-200VDR 2t



MST-300VD 2.5t



MST-300VDR 2.5t



MST-600VD 3.8t



MST-700VD 4.3t



MST-800VD 4.8t / 5t



MST-1500VD 7t



MST-1500VDR 7t



MST-2200VD 11t



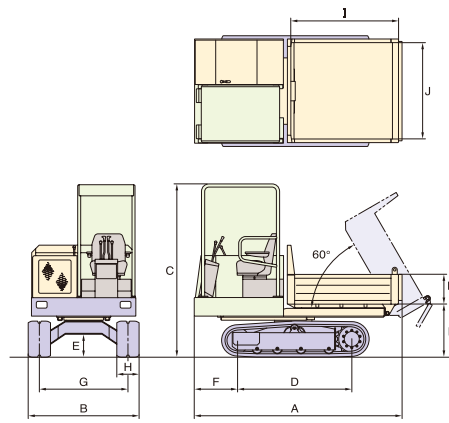
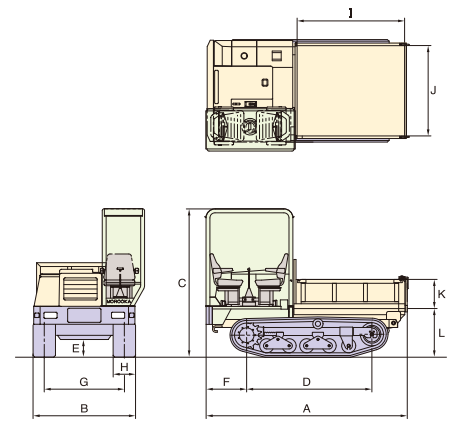
MST-2200VDR 11t



MST-3000VD 15t

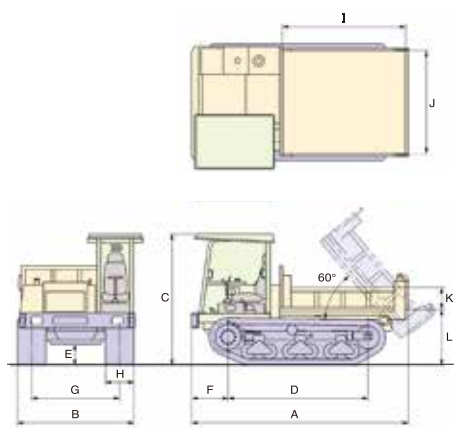
**WIDE RANGE
OF PRODUCTS**

**RUBBER CRAWLER
CARRIER**

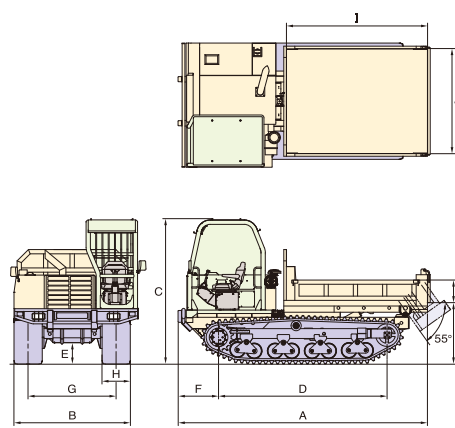
MST-200VDR

MST-300VD, MST-300VDR


MODEL		MST-200VDR	MST-300VD	MST-300VDR	MST-600VD	MST-700VD
PERFORMANCE						
Maximum Payload	kg (lbs)	2,000 (4,400)	2,500 (5,511)	2,500 (5,511)	3,800 (8,378)	4,300 (9,480)
Loading Capacity	m ³	0.88	0.88	0.88	1.28	1.67
Speed1 Low	km/h(mph)	3.0 (1.7)	6.0 (3.7)	6.0 (3.7)	7.0 (4.3)	7.0 (4.3)
Speed2 High	km/h(mph)	5.5 (3.4)	9.0 (5.6)	9.0 (5.6)	10.0 (6.2)	10.0 (6.2)
Ground Pressure(empty)	kPa	21.0	29.4	29.7	24.1	24.9
MACHINE DIMENSION						
Machine Weight	kg (lbs)	2,000 (4,400)	2,685 (5,919)	2,710 (5,975)	4,400 (9,700)	5,800 (12,786)
Overall Length	A mm (f)	2,850 (9.4)	3,150 (10.3)	3,490 (11.5)	3,790 (12.4)	4,520 (14.8)
Overall Width	B mm (f)	1,500 (4.9)	1,745 (5.7)	1,745 (5.7)	2,100 (6.9)	2,200 (7.2)
Overall Height	C mm (f)	2,340 (7.7)	2,330 (7.6)	2,330 (7.6)	2,330 (7.6)	2,580 (8.4)
Wheelbase	D mm (f)	1,545 (5.1)	1,955 (6.4)	1,955 (6.4)	2,440 (8.0)	2,960 (9.7)
Min. Ground Clearance	E mm (f)	310 (1.0)	250 (0.8)	250 (0.8)	330 (1.1)	350 (1.1)
Front Overhang	F mm (f)	580 (1.9)	630 (2.0)	630 (2.0)	640 (2.1)	770 (2.5)
Crawler Distance	G mm (f)	1,200 (3.9)	1,250 (4.1)	1,250 (4.1)	1,450 (4.7)	1,560 (5.1)
Crawler Width	H mm	320	350	350	500	500(550)
Crawler Size	mm	300×72×60	350×100×53	350×100×53	500×100×65	500(550)×100×76
DUMP BODY						
Overall Length	I mm (f)	1,560 (5.1)	1,675 (5.5)	1,965 (6.4)	2,150 (7.0)	2,500 (8.2)
Overall Width	J mm (f)	1,400 (4.5)	1,410 (4.6)	1,465 (4.8)	1,700 (5.6)	1,850 (6.1)
Overall Height	K mm (f)	400 (1.3)	370 (1.2)	310 (1.0)	350 (1.1)	360 (1.2)
Ground Clearance	L mm (f)	685 (2.2)	825 (2.7)	950 (3.1)	1,050 (3.5)	1,120 (3.8)
ENGINE						
Model		KUBOTA V1505 Tier 4 final	KUBOTA V2203 Tier 3	KUBOTA V2203 Tier 3	KUBOTA V3307 Tier 3	KUBOTA V3800 Tier 4 interim
Nominal Output/rpm	HP/rpm	25/2,800	47/2,800	47/2,800	73/2,200	93/2,200
Nominal Output/rpm	kw/rpm	18.5/2,800	35.4/2,800	35.4/2,800	54.6/2,200	69.2/2,200
OTHERS						
		CANOPY(ROPS)	CANOPY(ROPS)	CANOPY(ROPS)	CANOPY(ROPS)	CANOPY (ROPS/FOPS)
		—	—	—	—	—

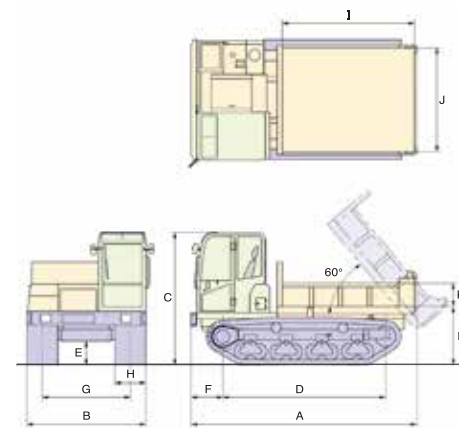
MST-600VD



MST-700VD



MST-800VD



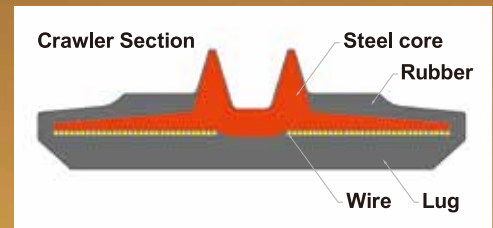
MST-800VD			MST-1500VD			
4,800 (10,584)	4,800 (10,584)	5,000 (11,023)	7,000 (15,435)	7,000 (15,435)	7,000 (15,435)	7,000 (15,435)
1.77	1.77	1.82	2.39	2.39	2.39	2.39
6.5 (4.0)	8.0 (4.9)	6.7	7.6 (4.7)	7.6 (4.7)	6.0 (3.7)	6.0 (3.7)
11.0 (6.8)	11.0 (6.8)	9.6	11.0 (6.8)	11.0 (6.8)	10.0 (6.2)	11.0 (6.8)
21.9	22.2	24.6	21.5	21.5	24.3	25.4
6,400 (14,110)	6,500 (14,330)	7,200 (12,200)	9,200 (20,280)	9,200 (20,280)	10,400 (22,930)	10,900 (24,030)
4,430 (14.5)	4,480 (14.7)	4,500	5,360 (17.6)	5,430 (17.8)	5,750 (18.9)	5,750 (18.9)
2,425 (8.0)	2,425 (8.0)	2,455	2,635 (8.6)	2,650 (8.7)	2,650 (8.7)	2,650 (8.7)
2,590 (8.5)	2,590 (8.5)	2,710	2,900 (9.5)	2,900 (9.5)	2,900 (9.5)	2,910 (9.6)
3,130 (10.2)	3,130 (10.2)	3,130	3,870 (12.7)	3,870 (12.7)	3,870 (12.7)	3,870 (12.7)
470 (1.5)	420 (1.4)	425	460 (1.5)	460 (1.5)	500 (1.7)	540 (1.9)
690 (2.3)	790 (2.6)	800	700 (2.3)	700 (2.3)	700 (2.3)	700 (2.3)
1,700 (5.6)	1,700 (5.6)	1,700	1,800 (5.9)	1,800 (5.9)	1,800 (5.9)	1,800 (5.9)
600	600	600	700	700	700	700
600×100×80	600×100×80	600×100×80	700×100×98	700×100×98	700×100×98	700×100×98
2,600 (8.5)	2,600 (8.5)	2,600 (8.5)	3,100 (10.0)	3,100 (10.0)	3,100 (10.0)	3,100 (10.0)
1,950 (6.3)	1,950 (6.3)	2,000	2,200 (7.2)	2,200 (7.2)	2,200 (7.2)	2,200 (7.2)
350 (1.1)	350 (1.1)	350 (1.1)	350 (1.1)	350 (1.1)	350 (1.1)	350 (1.1)
1,160 (3.8)	1,190 (3.9)	1,200	1,350 (4.4)	1,350 (4.4)	1,350 (4.4)	1,350 (4.4)
Mitsubishi 4D34 Tier 2	CAT C4.4 Tier 3	CAT C4.4 Tier 4 interim	Mitsubishi 6D16 Tier 2	CAT C6.6 Tier 3	Cummins QSB6.7 Tier 4 interim	Cummins QSB6.7 Tier 4 final
109/2,200	129/2,200	124/2,200	221/2,700	225/2,200	225/2,100	225/2,200
81.0/2,200	96.5/2,200	92.6/2,200	165/2,700	168/2,200	168/2,100	168/2,200
CABIN CANOPY(OPTION)	CABIN(ROPS) CANOPY(OPTION)	CABIN(ROPS)	CABIN	CABIN CANOPY(OPTION)	CABIN(ROPS)	CABIN(ROPS)
HEATER	HEATER	AIR CONDITIONER	AIR CONDITIONER	AIR CONDITIONER	AIR CONDITIONER	AIR CONDITIONER

WORLDWIDE PRODUCTS DEVELOPED by MOROOKA

Durable Rubber Tracks

The rubber tracks offered on our Morooka carriers are the result of over 50 years of joint development from Bridgestone and Morooka. The rubber tracks combine the characteristics of a tire equipped vehicle, such as speed and a smooth ride, while providing the traction of a steel track.

Rubber tracks offer the best of all worlds with low ground pressure, high performance movement and excellent traction.

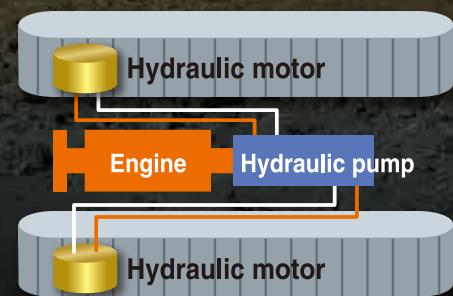


Easy control with HST drive system

The hydrostatic transmission allows for economical use of the engine's full power.

All steering maneuvers can be executed with a pair of simple control levers.

The H.S.T. system completely eliminates the need for clutch and gear controls making the Morooka carrier highly maneuverable.



One driving lever for
MST-300VD and MST-600VD



Two driving levers for MST-800VD,
1500VD, 2200VD and 3000VD

Versatile application to meet worldwide customer needs

Morooka products are used in a wide range of applications and are particularly suited to environmentally sensitive areas. They will accommodate a variety of attachments such as water tanks, digger derricks, drill rigs, cement mixers, welders, lubrication rigs, fire fighting equipment, specialty dump bodies, scissor lifts, seismic testing equipment, exploration tools, air compressors and personnel carriers.



EARTH MOVING



CANAL CONSTRUCTION



PALM OIL PLANTATION



ANTARCTIC EXPLORATION



RESTORATION



FORESTRY



AGRICULTURE



DRILLING



MAN LIFT



THE MINISTRY OF DEFENCE



ELECTRIC POWERLINE



FUEL TRANSPORTATION

Please consult with us before you apply any modification.
Please note that Morooka have no responsibility for performance and safety of products modified not by Morooka.

MOROOKA

Morooka Co., Ltd.

Postal Code : 301-0031

358 Shoubeeshindenmachi, Ryugasaki city, Ibaraki Prefecture, Japan

TEL, +81-297-66-2111 FAX, +81-297-66-3110

URL : www.morooka.co.jp (Japanese)

www.morooka.com (English)

CONTACT