

Engine output: 33 PS

Machine weight: 2100 / 2213 kg

For Earth, For Life

Kubota

# RT210

KUBOTA WHEEL LOADER



# POWERFUL, MANOEUVRABLE AND VERSATILE

Kubota has developed new range of articulated wheel loaders with an operating weight ranging from 1000 kg to 2800 kg. The new RT-series has been designed to meet the requirements of varying type's of applications such as construction, agriculture, gardening and public works. These articulated wheel loaders combine performance, compactness, safety and comfort as with all Kubota's products.



## KUBOTA ORIGINAL ENGINE : POWERFUL, EFFICIENT AND LOW EMISSION

KUBOTA engine is known for its reliability and durability. It is strong and powerful with respect for the environment especially for noise and emissions.

## SHAFT DRIVE TRANSMISSION

The power between the rear axle and the front axle on the RT210 is transmitted by a shaft which guarantees a high traction force. Combined with a limited slip differential, the RT210 is ready to tackle any terrain.

## PIVOTING ARTICULATION

With an articulation of  $45^\circ$  and an oscillating angle of  $6.3^\circ$ , the RT210 can drive through tight space's without creating any damage on the surface.



## HEAVY DUTY CHASSIS

The thickness of the material used, the load resistance and the compactness are the key features of the chassis of the RT-series. In addition, the hydraulic tank is enclosed within the frame which provides additional counterweight.



## HYDROSTATIC TRANSMISSION (HST)

The hydrostatic transmission is equipped with an high performance pump which guarantees an efficient transmission of the power to the wheels.

# OPERATOR COMFORT



## **Dashboard**

The dashboard provides the operator with easy to read gauges for both the fuel level & engine water temperature and with additional warning lights for engine oil pressure, water temperature and battery charge. Therefore, you can operate your wheel loader in full confidence.

## **Multi-function operating lever and steering column**

The user friendly designed multifunction lever allows to control all the main functions of your articulated wheel loader: shuttle switch, auxiliary circuit (according to the versions) and, of course the front attachment functions. The steering wheel is tiltable in order to offer the best driving position to the operator.



## **Ventilation system on the cabin**

When the RT210 is equipped with a cabin, a ventilation system allows the operator cool or heated cabin. Thanks to several outlets well dispatched throughout the cabin and several fan speeds, the air is well spread out around the operator, allowing the operator to work more efficiently.

# PERFORMANCE / MAINTENANCE



## Versatile and compact

With a weight of 2100 kg for canopy version and 2213 kg for cabin version, and a tipping load of 950 kg (straight position), the RT210 is a versatile wheel loader very well appreciated for farming.

## Transmission control

The hydrostatic transmission is controlled by a pedal located on the right side of the steering column. A simple action of the right foot on the pedal acts simultaneously on the engine rpm and also on the hydrostatic pump. The operator can control the travel speed with full concentration on the front attachments being used.



## Daily maintenance

The main components which require daily check such as engine oil level, coolant level, air filter and radiator are easily accessible, thanks to the wide opening engine bonnet. In addition, the offset battery off terminals allow a quick starting assistance in the event of battery default.

# SAFETY AND SECURITY



## Lighting equipment

Road lights are mounted as optional equipment in order to meet the local requirements of road legislation. A working light is located on the front frame (standard). In addition, extra working lights (option) can be mounted on the safety structure (option) to insure safe working conditions during both night & day.

## Safety cabin or canopy and full suspension seat

The RT210 is available with cabin or with canopy. In both case's, the protective structures are certified ROPS ISO3471 and FOPS ISO3449. In order to insure a good operating comfort, the full suspension seat is fitted with two arm rests and a safety belt.



## Counterweight

The counterweight is integrated in the rear part of the frame. An additional counterweight of 90 kg is available as an option to improve the stability.

## STANDARD EQUIPMENT

### Fuel system

- Kubota original engine
- Double-element air cleaner

### Transmission

- Hydrostatic Transmission - 4 wheel drive
- Drive shaft with limited slip differential
- Drum parking brake

### Hydraulic system

- High performance hydraulic pump
- Locking lever of all front attachment hydraulic functions
- Inching and brake pedal
- Shuttle switch F/R on the multifunction lever
- Auxiliary line 1, double acting valve at the front
- Floating position
- Oil cooler

### Safety

- Safety roof : ROPS (Roll-Over Protective Structure ISO 3471) / FOPS (Falling Object Protective Structure ISO 3449)
- Lifting eyes
- Working light on the arm left
- Main switch
- 4 tie down points
- OPC / Operator presence seat switch
- Articulation locking bar

### Tires

- Tires 10.0/75x15.3 Farm (total width 104 cm)

### Comfort

- Luxury seat with safety belt, armrest and extended backrest
- Tilttable steering column
- Complete dashboard
- Documents compartment

## OPTIONAL EQUIPMENT

### Hydraulic options

- Extra aux. line mechanical (front or back)
- Extra aux. line electrical (front or back)
- Single/double side stop on aux. line 1 and/or 2 mechanical
- Free return front or back
- Leak oil front or back
- Double gearpump 30 l/min front or back (includes free return)
- Shock absorber on lifting arm
- Oscillation stabilizer

### Regulator

- Hand throttle
- Hand inching
- Pro inching
- 2nd gear 0~10 km/h / 0~25 km/h

### Safety

- Deluxe safety roof: safety doors, windows front and back, wipers front, 2 mirrors, 2 working lights on roof front and back
- Foldable safety roof: safety doors
- Deluxe foldable safety roof: safety doors, 2 mirrors, 2 working lights front and back

- Cabin: windows front & back, glass doors left & right, front wiper, heating, 2 working lights on roof front & back, 2 mirrors, radio, speakers

### Electrical options

- Flashing light on roof
- Traffic lights + 2 mirrors
- Extra working light on arm
- 1 or 2 working lights on roof front
- 1 or 2 working lights on roof back
- 3 pin socket front or back
- 7 pin socket back
- Buzzer

### Trailer system

- Combination towing hook
- 3 point lifting including aux. line mechanical

### Others

- Painting 1 or 2 colors
- Parallel indicator on tilt cylinder
- Counterweight 90 kg + towing hook
- Mudguard wideners
- Sprung seat
- Different quick coupler

\*For further information consult your local dealer.

Optional tires	Width machine (mm)
7.5L-15 Farm	960
31x15.5-15 Farm	1280
31x15.5-15 Construction	1280
31x15.5-15 Skid	1360

## ACCESSORIES



### Quick coupler

RT210 is equipped with hydraulic quick coupler for easy and fast change of attachments.

non-contractual colours

## SPECIFICATIONS

<b>Model</b>		<b>RT210</b>		
Machine weight (canopy / cabin)	kg	2100 / 2213		
Operating weight (canopy / cabin)	kg	2175 / 2288		
Earth bucket capacity	m <sup>3</sup>	0,38		
Engine	Make	KUBOTA		
	Model	D1105-T		
	Power	PS/rpm	33/2050	
		kW/rpm	23,5/2050	
	Number de cylinders	3		
	Displacement	cc	1123	
Cooling type	water			
Transmission	Type	Hydrostatic		
Performance with pallet fork	Tipping load with pallet fork in straight position (ISO14397)	A	kg	1250
		B	kg	950
		C	kg	745
	Tipping load in full turn position (ISO14397)	kg	500	
	Lifting capacity	kN	15,0	
Breakout force	kN	16,5		
Tires	Type	Farm		
	Dimensions	10.0/75x15.3 AS		
Travel speed	km/h	0~18		
Angle of oscillation	deg.	± 6.3		
Auxiliary circuit	Oil flow	ℓ /min	42	
	Oil pressure	bar	170	
Capacity	Fuel tank	ℓ	37	
	Engine oil	ℓ	4,2	
	Hydraulic tank	ℓ	56	
	Cooling system	ℓ	4	

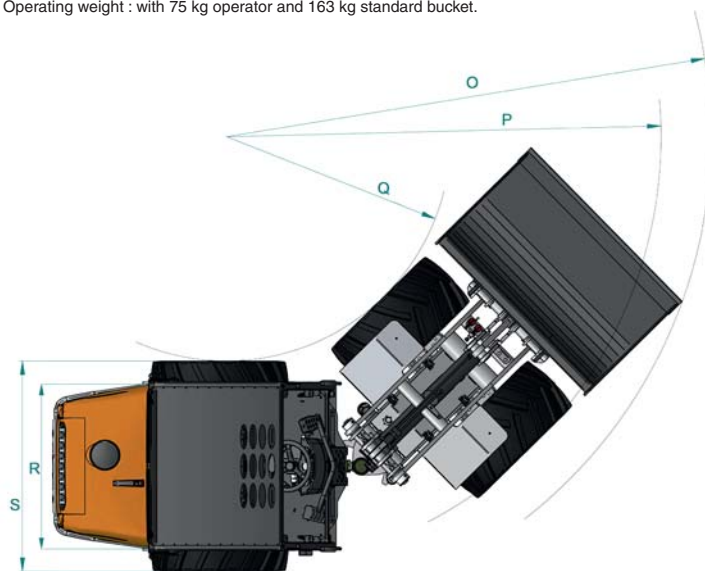
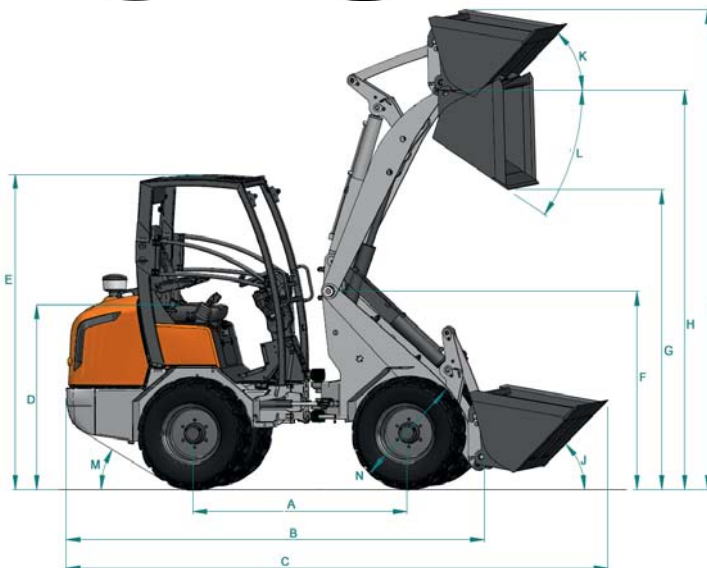
\* Machine weight : with 163 kg standard bucket.

\* Operating weight : with 75 kg operator and 163 kg standard bucket.

## DIMENSIONS

Machine dimensions*	A	Wheel base	mm	1515
	B	Overall length without bucket	mm	2890
	C	Overall length with bucket	mm	3590
	D	Seat height	mm	1260
	E	Overall height	mm	2270
	F	Front frame height	mm	1660
	G	Dumping height	mm	1990
	H	Max. height at hinge pin	mm	2800
	I	Max. lifting height at bucket	mm	3390
	J	Roll back angle at ground level	deg	43°
	K	Roll back angle at max. height	deg	47°
	L	Dumping angle	deg	53°
	M	Rear climbing angle	deg	29°
	N	Diameter of standard wheel	mm	760
	O	Turning radius with bucket	mm	2600
	P	Turning radius (outer wheel)	mm	2290
	Q	Turning radius (inner wheel)	mm	1180
	R	Tread	mm	890
	S	Overall width	mm	1040
-	Articulation angle	deg	45°	
-	Ground clearance	mm	220	

\* The data have been measured on the standard version. Specifications are subjects to be changed without notice.



★ All image's shown are for brochure purpose only.

When operating the wheel loader, wear clothing and equipment in accordance to local legal and safety regulations.

### KUBOTA EUROPE S.A.S.

19 à 25, rue Jules Vercurysse  
 Zone Industrielle - B.P. 50088  
 95101 Argenteuil Cedex France  
 Téléphone : (33) 01 34 26 34 34  
 Télécopieur : (33) 01 34 26 34 99  
<http://www.kubota-eu.com>

W21PS02599