

KOBELCO

SK350D_{LC}

SK400D_{LC}

SK550D_{LC}

Demolition Machine



We Save You Fuel
Achieving a Low-Carbon Society

Designed and built to save time and get you up and working!!

The KOBELCO demolition machine utilizes a common use type base boom and exclusive NEXT attachment joint for the Ultra long front, boom insert and the Separate boom.

KOBELCO's demolition machines with the exclusive NEXT joint systems are made so you can set up or change work fronts quick and easy to get the job done. With the ability to change tools on site and work at multiple heights with a single machine, the productivity is maximized with the needs of the job.

The machine can be quickly set up and adapted to meet the job requirement and be use for the full duration of the job instead of swapping out machines.

Due to the unique structure of this attachment, transport can be completed safely and with just a few steps. Add that to the excellent fuel savings and machine durability, KOBELCO helps provide the owner reduced operational costs, less downtime and greater return on investment.

KOBELCO's SK350DLC, SK400DLC, SK550DLC demolition machine is the next generation of high performance and cutting edge technology. It's ready to go to work for you.

Focus on operation rate resulting in a machine with common use type base boom

Previous demolition machines had a structure that basically did not allow attachments to be exchanged, meaning one complete machine was required for each specification. Having machines each dedicated to its specialty was useful onsite, but this meant that the operation rate was low and users were required to own multiple machines. KOBELCO's solution was to develop a machine structure that enabled one machine to be adapted to multiple specifications. Our solution took form in the shape of the machine with common use type base boom.

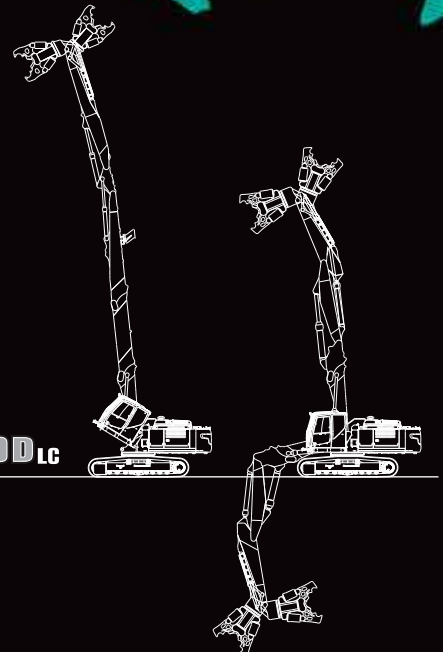
The NEXT system, created with focus on the site

A machine with common use type base boom is transported by separating the main body and its attachments, requiring less time for set-up after arriving onsite. KOBELCO studied in detail how the assembly work could be completed safely in a short time. We threw out the previous fixed concepts about attachments and developed an innovative attachment that incorporated our various ideas, resulting in the NEXT system.



All 3 models
8 wide line up of specification

SK 350 D_{LC}



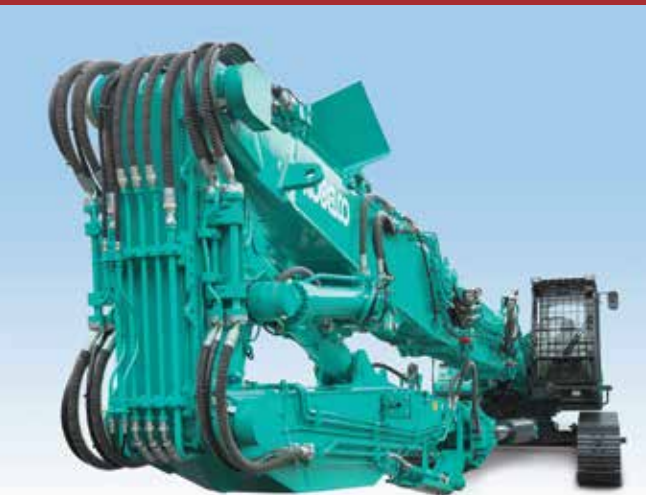
SK350D_{LC} SK400D_{LC} SK550D_{LC}



JAPANESE QUALITY



Work setups done quickly and safely! The new-generation NEXT demolition attachment

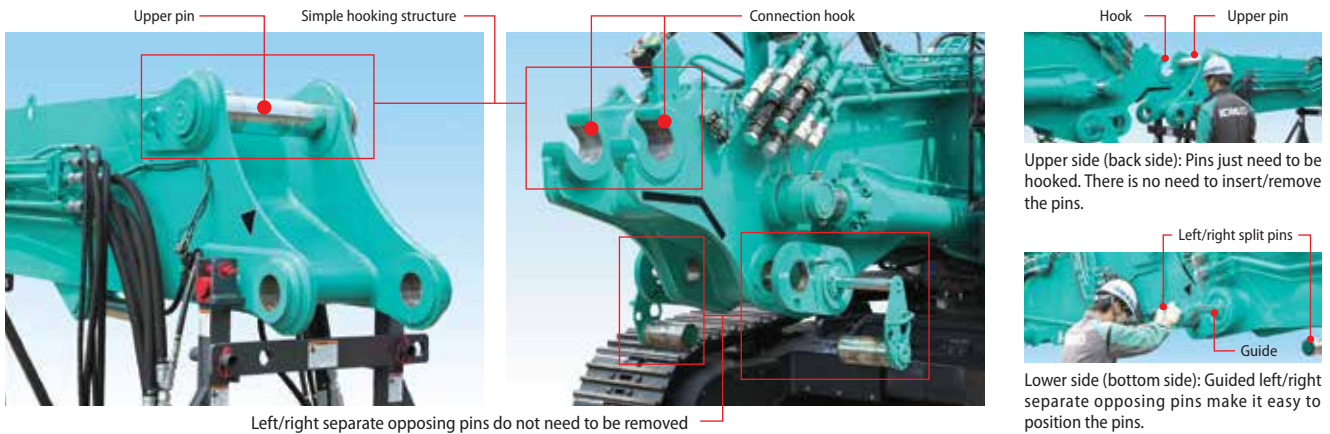


NEXT attachment

The new-generation NEXT demolition attachment for the demolition machine with common use type base boom was designed by KOBELCO without being limited by existing concepts. Each boom attachment has a block structure that simplifies assembly/disassembly and transport, and the attachments employ our original NEXT joint system. The piping can be connected easily, and the steps for attachment assembly/disassembly from pressure release to pin fixing can be completed safely in a short time.

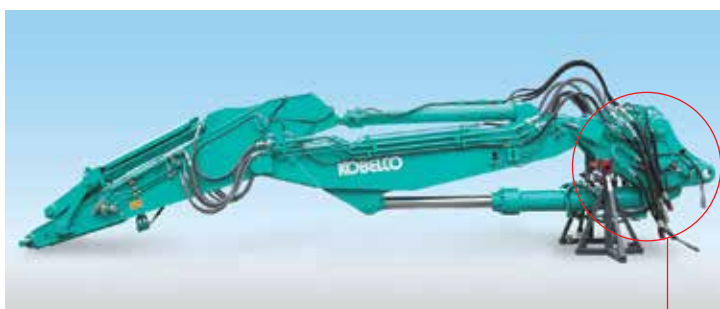
■ NEXT joint system

KOBELCO's original joint system was developed by testing the assembly/disassembly process extensively. The boom attachment can be connected just by hooking the upper (backside) pin and fixing with the separate opposing pins on the lower side (bottom side).



■ Main front boom [NEXT separate boom specification]

Assembly of the separate boom simply means connecting the main front boom with which the jib cylinder foot section is integrated, to the all-purpose base boom using the NEXT joint system. This saves on the work otherwise required to connect the jib cylinder.



Main front boom

■ Side-mounted hydraulic piping

All attachment joints have the hydraulic piping mounted on the side, adopting hydraulic multi-coupler system for connecting sections.



Piping connection: Hydraulic multi-coupler system on the side of the boom.



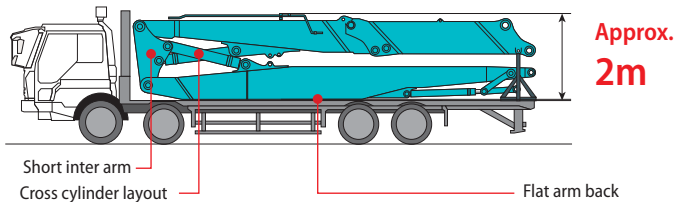
SK350DLC
Separate boom specification

Attachments and base machine designed for easy truck transport

Attachment height during transport

[NEXT ultra long attachment specification]

The 3-piece NEXT ultra long attachment is designed with the jib cylinder and arm cylinder crossed over the short inter arm, and the back of the arm is flat. The height while in the stored state has been lessened to approx. 2m to lower the entire height during transport.



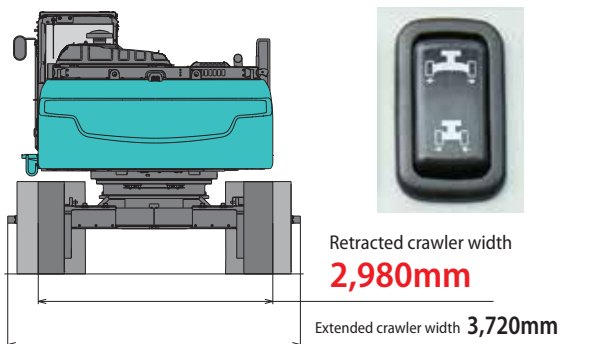
Quick hitch piping

A hydraulic circuit for the quick-hitch arm that allows quick and easy fitting of the front attachment is supplied as standard.



Hydraulic crawler extension / retraction mechanism [SK400DLC / SK550DLC]

Crawlers can be retracted to reduce crawler width to below 3m for ease of transport. The hydraulic system makes light work of extending or retracting with crawler shoes remaining on ground.



Two-part counterweight [SK400DLC / SK550DLC]

The counterweight can be separated into two for transport. One part forms a case into which the other part is housed. It looks neat and uncluttered, and assembly/disassembly is faster than with an integrated counterweight.

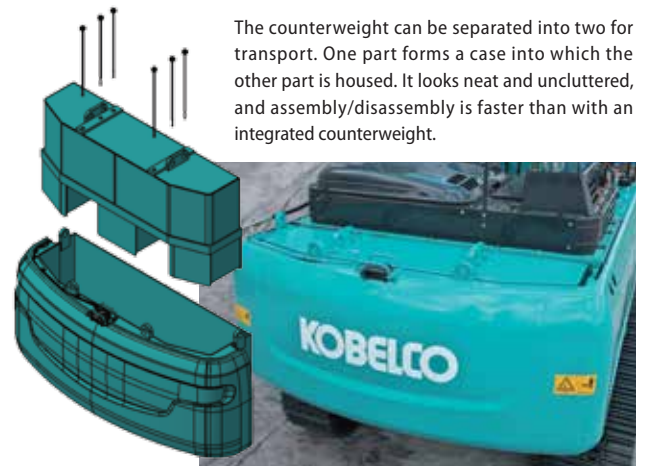


Photo shows earlier model

Boom attachments can be changed easily, enabling a high machine operation rate



Separate boom specification

KOBELCO has pioneered the development of the separate boom in Japan, and the NEXT separate boom is the product of a wealth of technologies built up through long experience in this field. By attaching a large nibbler, demolition is completed swiftly and efficiently, whether it's the lower floors of tall buildings where the concrete is thickest, or basement floors and foundations. Working ranges at machine foot are extensive, and the maximum working depth is top level in all classes.



Maximum work depth

SK550D_{LC}	6,260mm
SK400D_{LC}	6,210mm
SK350D_{LC}	6,320mm

Note: The measurement is for the arm bucket pin position.

NEXT ultra long attachment specification

Long reach attachment specifications are for high elevation demolition carried out from ground level. Maximum working height for both SK400DLC and SK550DLC is top level in their class. Can handle general demolition of 8~9 story buildings, and height can be reduced by removing the insert boom.

Maximum work height

SK550D_{LC}	6.1m arm Approx. 25.0m	8.7m arm Approx. 27.5m
SK400D_{LC}	6.1m arm Approx. 21.1m	8.7m arm Approx. 24.7m
SK350D_{LC}	6.1m arm Approx. 21.0m	

Note: The measurement is for the arm bucket pin position.

Large nibbler

With ultra long attachment specification, large crusher with mouth width exceeding 1m can be accommodated. Separate boom specification have a large nibbler already installed, for powerful crushing and efficient performance.

KR1100TPR-2	
Mouth width 1,100mm	
Weight 2,580kg	Crushing force (center) 1,520kN
KR1350TPR-40	
Mouth width 1,350mm	
Weight 3,750kg	Crushing force (center) 1,770kN
KR1500TPR-50	
Mouth width 1,530mm	
Weight 5,200kg	Crushing force (center) 2,080kN



KR1100TPR-2



KR1350TPR-40



SK400D_{LC}
Ultra long attachment specification
6.1m arm + 3.5m boom insert

Fuel costs can be reduced with outstanding low fuel consumption and mode selection



New environmental engine

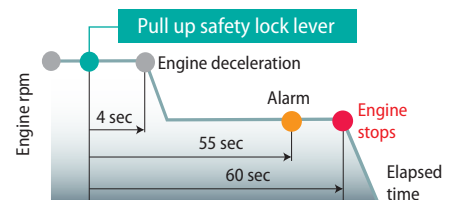


A new electronically controlled engine with high power and low fuel consumption is installed. Particulate matter and NOx emissions are suppressed through the engine's high combustion efficiency, exhaust gas after-treatment equipment, and urea SCR system. The engine also conforms to EPA Tier IV Final regulations.



AIS (Auto Idle Stop)

This idling stop function eliminates wasteful fuel consumption while waiting between operations. The engine stops automatically when the operation lever continues to remain in the locked state.



Fuel consumption mode

A function is provided for switching modes to prioritize fuel consumption depending on the work content. Modes can be switched while using any front attachment including the nibbler, breaker, or bucket.



- H H mode**
When prioritizing work volume
- S S mode**
When prioritizing the balance between work volume and fuel consumption
- E ECO mode**
When extensively prioritizing fuel consumption

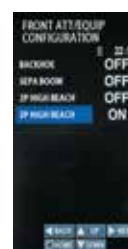


New cluster gauge

A new color multi-display with multi-function indicators is installed. In addition to gauges and information such as fuel consumption, maintenance, working radius/boom angle, and rear view camera images, the selected attachment mode and mounted front attachment are also displayed.



Fuel consumption



Attachment mode selection screen



Front attachment selection screen



Enhanced safety functions to assist the operator in production and performance

New cab interference prevention system

The cab interference prevention system is standard on the SK350DLC, SK400DLC, SK550DLC. This feature sounds an alarm and prevents the machine from allowing the working tool to come into contact with the cab during operation. Current tool position can be detected with high accuracy so the tool can be moved at close range near the cab, resulting in increased safe working range.

System configuration

The system calculates the various boom, attachment and idler link angles to create a proximity to the cab in order to prevent cab interference.



System operation

As the working tool approaches the cab, alarm is sounded before any contact can occur, and the machine automatically prevents tool from making contact with the cab.



Tilt cab

Cab support to allow tilting up to 30° is supplied as standard. The operator can maintain a comfortable posture during high elevation demolition work, suffering less fatigue over long working periods.



- Crosspiece on right side cab window for operator safety should the glass be broken.
- Cab foot mirror and cab foot light to ensure full visibility for work at machine foot.
- Maintenance stopper for greater safety during tilt mechanism maintenance.
- Alarm to prevent accidents when cab tilting is operated.
- Cab lowering device for emergencies.

Demolition special cab

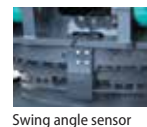
The adjoining edge of the top and front windows are free of view-obstructing pillars, and radial type grid guards are installed on front and upper sides. This gives the operator an unobstructed and continuous view from ground level to the maximum working height.



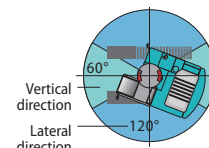
- ISO 10262 level II FOPS front and top guards.
- The cab guards can be opened and closed without tools, and the glass can be cleaned easily.
- Vertical open/close roller shades that can be stopped at any position.
- Laminated front window.
- High strength security glass that complies with European PSA anti-crime standard.

Stability warning system

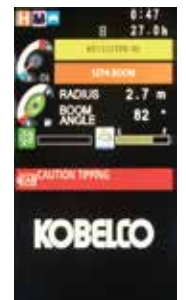
The working radius and stability are calculated from the position of the attachment, and the operator is warned with a alarm (continuous sound) where the machine's stability could be compromised.



Swing angle sensor



Vertical direction
Lateral direction



The tip over risk area will vary according to the upper orientation since the safety allowance will vary depending on the swing angle. The maximum working radius is larger when facing the vertical direction.



SK400D LC
Separate boom specification

Multiple standard features and accessories for ensuring safety



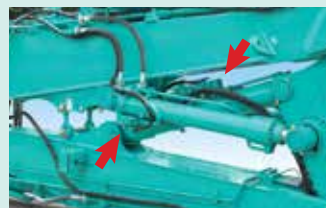
Rear view camera

The rear view camera is displayed on the multi-display.



Right side camera + monitor

Rear and side camera views can be displayed on the separate monitor.



Boom, arm and jib holding valves

Standard - to prevent boom or arm from falling if hose is damaged.



Cab with two lights

Cab mounted lights are standard.



One way call

Operator is able to alert ground workers without taking their hands off the machine controls.



Travel alarm

Option

The alarm cautions workers in the area that the machine is traveling.



Specialized attachment stands

Option

For greater safety and efficiency during assembly, disassembly and transport.



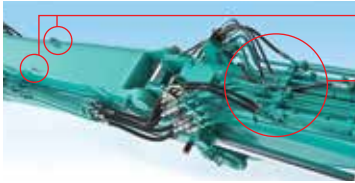
Falling object deflector

The guard deflects falling debris away from the machine. This is standard for the ultra long attachment.

*The accessory settings may differ according to the class or specification. Refer to the list of key accessories on the back page for details.

Highly durable structure to show enduring excellent performance in hard operations

Factory engineered Heavy Duty boom and arm [Ultra long attachment]

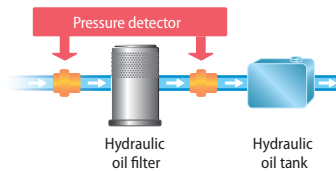


Lifting eyes are provided.

Hoses are routed for easy maintenance.

Hydraulic oil filter restriction indicator

Clogging is detected by the pressure difference at the filter entrance and exit, and warnings are displayed on the color multi-display. Hydraulic equipment trouble can be prevented by taking action before contaminants enter the hydraulic oil tank.



LED lights

Bright, long-life LED lights fitted to left and right of arm for ultra long attachment specification, and to left and right of boom for separate boom specification.



Dedicated arm for the ultra long attachment

Various reinforcements and protective structures are incorporated in the arm section to prevent damage from contact or flying debris.



Guided reinforced bucket cylinder guard with box-type structure



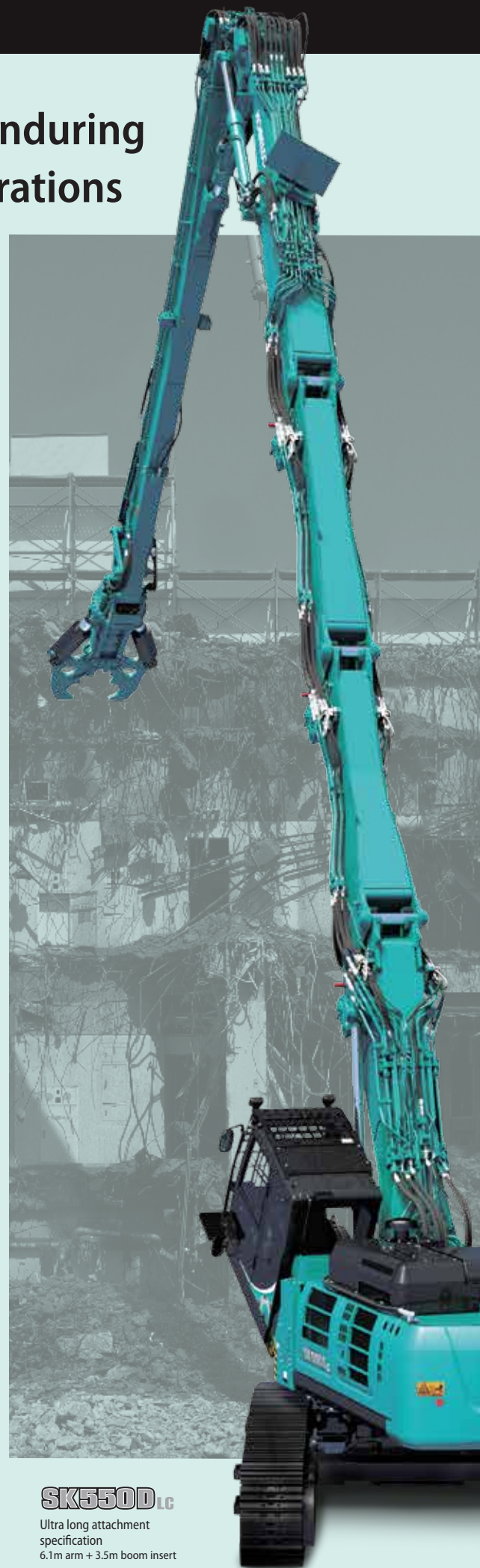
Electric wiring with optimized routing and full cover for preventing damage



Hoses routed to protect from damages



Guarded work LED lights



SK550D LC

Ultra long attachment specification
6.1m arm + 3.5m boom insert

Various functions and accessories for the longevity of the machine



Upper frame under cover guards

The 6mm thick reinforced cover protects the inner devices & engine unit.



Swivel guard

The lower car body structure is fitted underneath with a 9mm thick reinforced cover.



Water spray (with drainage circuit) Option

A drainage circuit is newly installed to prevent rusting valves. The pipe can be drained after sprinkle water.



New hydraulic oil filter

Glass filtration material with outstanding cleaning ability and durability is used.



Air cleaner (double element)

The double filter structure and large capacity prevent dust from being sucked in.



Auto lubrication system

The attachment is automatically oiled at specified times. Eliminates the trouble of oiling before starting work.



Additional tool box Option SK350DLC

A large storage box for storing tools is provided.



Reinforced guard for travel motor

Thick steel plate used to ensure strength and minimize gap with frame.



Fuel fill-up pump

Quick, safe fuel fill-ups possible from a standing position without the need to mount upper carriage.



Battery shut-off device

Single switch to prevent battery discharge over long inactive periods.



Full track guides Option

Crawler de-tracking prevented even on roughest ground littered with demolition rubble.



Crawler extension/retraction mechanism guard

Hydraulic cylinders protected from flying demolition rubble.

* The accessory settings may differ according to the class or specification. Refer to the list of key accessories on the back page for details.



Engine

	SK350DLC	SK400DLC	SK550DLC
Model	HINO JO8EVV-KSDK		HINO P11C-VN
Type	Four-stroke liquid-cooled direct injection type diesel engine with intercooler turbo-charger		
No. of cylinders	6		
Bore and stroke	112 mm x 130 mm		122 mm x 150 mm
Displacement	7.684 L		10.52 L
Rated power output	201 kW/2,100 min ⁻¹ (ISO 9249)	213 kW/2,100 min ⁻¹ (ISO 14396)	271 kW/1,850 min ⁻¹ (ISO 14396)
Max. torque	988 N-m/1,600 min ⁻¹ (ISO 9249)	1,017 N-m/1,600 min ⁻¹ (ISO 14396)	1,470 N-m/1,400 min ⁻¹ (ISO 14396)



Hydraulic System

	SK350DLC	SK400DLC	SK550DLC
Pump	Two variable displacement piston pumps + one gear pump		
Type	Two variable displacement piston pumps + one gear pump		
Max. discharge flow	2 x 294 L/min, 1 x 20 L/min		2 x 370 L/min, 1 x 63.5 L/min
Relief valve setting			
Excavating circuits (main)	31.4 MPa		
Power Boost*	34.3 MPa		
Travel circuit	34.3 MPa		
Swing circuit	29.0 MPa		26.0 MPa
Pilot control circuit	5.0 MPa		
Nibbler (Crusher) circuit	31.4 MPa (Power Boost 34.3MPa) Rotation 20.6 MPa		
Main control valve	8-spool		

*Only Separate boom specification



Swing System

	SK350DLC	SK400DLC	SK550DLC
Swing motor	One fixed displacement piston pump		Two fixed displacement piston pumps
Brake	Hydraulic		
Parking brake	Wet multiple plate		
Swing speed	10.0 min ⁻¹		7.6 min ⁻¹
Swing torque	119.6 k N-m		183 kN-m
Tail swing radius	3,600 mm		3,800 mm



Travel System

	SK350DLC	SK400DLC	SK550DLC
Travel motors	Variable displacement piston pump		
Travel brakes	Hydraulic		
Parking brakes	Wet multiple plate		
Travel shoes	48 each side		50 each side
Travel speed (high/low)	5.6/3.3 km/h		5.4/3.4 km/h
Drawbar pulling force	310kN (SAE)	318 kN (SAE)	415 kN (SAE)
Gradeability	70 % (35 deg)		



Cab & Control

	SK350DLC	SK400DLC	SK550DLC
Cab	All-weather, sound-suppressed steel cab mounted on the high suspension mounts		
Control	Two hand levers and two foot pedals for travel		
	Two hand levers for excavating and swing		
	Electric rotary-type engine throttle		
	Tilting Cab (30°)		
Noise levels			
External	105dB(A) (ISO 6395)		104 dB(A) (ISO 6395)
Operator	69 dB(A) (ISO 6396)		



Boom, Arm & Bucket

	SK350DLC	SK400DLC	SK550DLC
3-piece ultra long attachment			
Boom cylinders	170 mm x 1,505 mm		180 mm x 1,580 mm
Arm cylinder	170 mm x 1,210 mm		
Bucket cylinder	125 mm x 1,200 mm		
Jib cylinders	140 mm x 1,210 mm		
Max. tool weight	2,600 kg (6.1m arm)	3,000 kg (6.1m arm)	2,600 kg (8.7m arm)
Separate attachment			
Boom cylinders	170 mm x 1,505 mm		180 mm x 1,580 mm
Arm cylinder	170 mm x 1,788 mm		190 mm x 1,970 mm
Bucket cylinder	150 mm x 1,193 mm		160 mm x 1,410 mm
Jib cylinders	240 mm x 1,317 mm		270 mm x 1,418 mm
Max. tool weight	4,000 kg		5,300 kg



Refilling Capacities & Lubrications

	SK350DLC	SK400DLC	SK550DLC
Fuel tank	503 L		638 L
Cooling system	35 L		48.5 L
Engine oil	28.5 L		42.5 L
Travel reduction gear	2 x 8.0 L		2 x 15 L
Swing reduction gear	7.4 L		7.4 L
Hydraulic oil tank	245 L tank oil level		371 L tank oil level
	410 L hydraulic system		720 L hydraulic system
DEF/AdBlue tank	83 L		83 L



Attachments

Nibbler

Model		KR1100TPR-2	KR1350TPR-40	KR1500TPR-50	
Weight	kg	2,580	3,750	5,200	
Dimensions	<p>A Overall length B Width C Diameter D Mouth width</p>				
	mm				
Blade length	mm	200	200	200	
Crushing force	Top	kN	940	1,210	1,420
	Center	kN	1,520	1,770	2,080
Assemble dimensions	Arm top width	mm	325	380	450
	Pin diameter	mm	φ80	φ90	φ100
Working hydraulic pressure	MPa	34.3	31.4	29.4	

Note: Units follow the International System of Units (SI).

Operating Weight & Ground Pressure

Attachment Type	SK350DLC		SK400DLC			SK550DLC		
	3-piece ultra long attachment/ equipment *	Separate attachment *	3-piece ultra long attachment/ equipment *		Separate attachment *	3-piece ultra long attachment/ equipment *		Separate attachment *
			6.1m arm	8.7m arm		6.1m arm	8.7m arm	
Operating Weight	44,700 kg	45,200 kg	48,800 kg	49,600 kg	49,300 kg	62,600 kg	63,100 kg	64,600 kg
Ground Pressure	84 kPa	85 kPa	91 kPa	93 kPa	92 kPa	107 kPa	108 kPa	111 kPa

* Measured with max tool weight

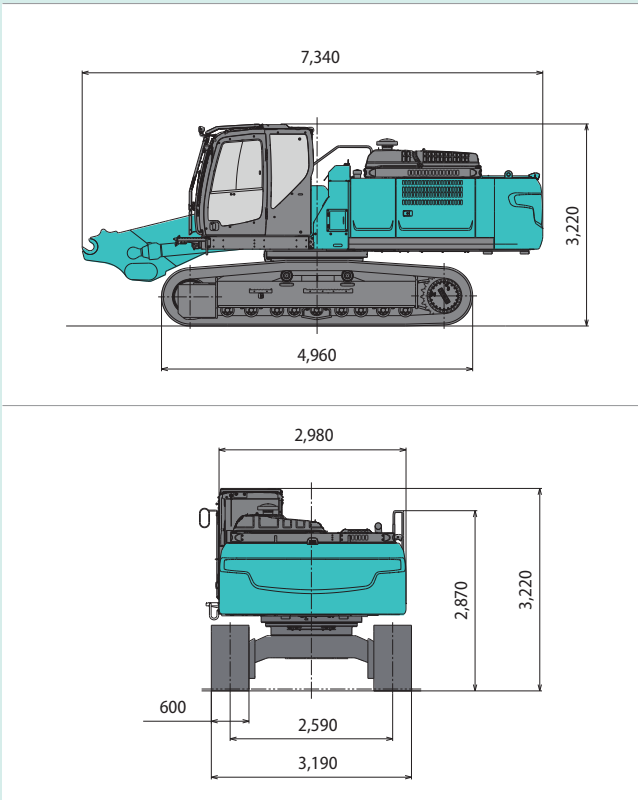


Dimensions

SK350D_{LC}

Dimensions (main body + base boom)

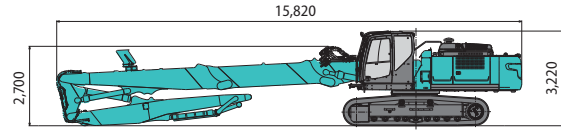
Unit: mm



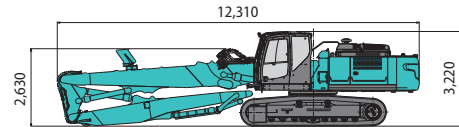
Assembled machine dimensions

Unit: mm

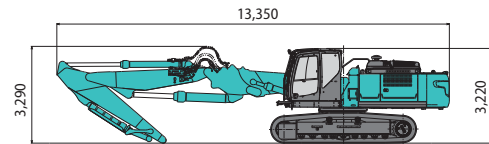
- Ultra long attachment : 6.1m arm + 3.5m boom insert



- Ultra long attachment : 6.1m arm without boom insert

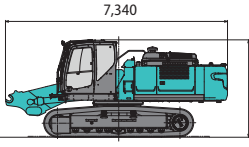
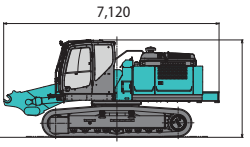
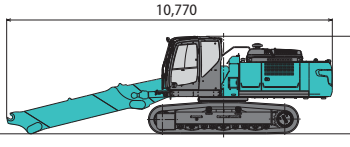
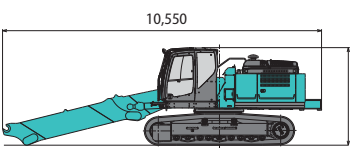
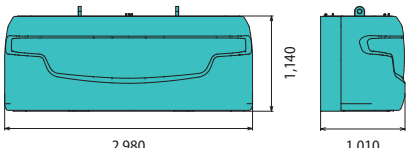
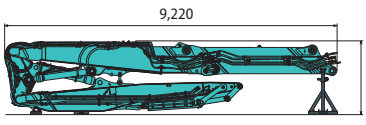
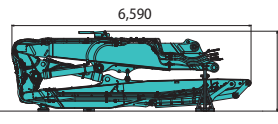
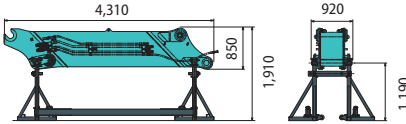
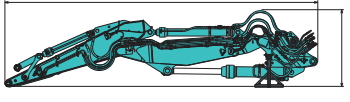


- Separate boom specification



Disassembled dimensions and weight

Unit: mm

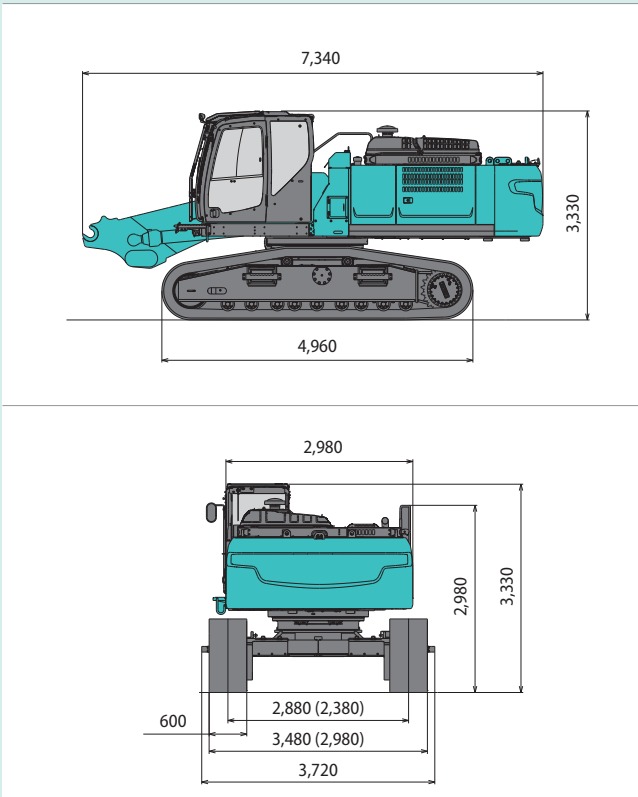
<p>Main body + base boom</p>  <p>7,340 3,220</p> <p>Weight: 34,600 kg</p>	<p>Main body + base boom (without counterweight)</p>  <p>7,120 3,220</p> <p>Weight: 25,100 kg</p>	<p>Main body + base boom + boom insert</p>  <p>10,770 3,220</p> <p>Weight: 36,300 kg</p>
<p>Main body + base boom + boom insert (without counterweight)</p>  <p>10,550 3,220</p> <p>Weight: 26,800 kg</p>	<p>Counterweight</p>  <p>2,980 1,140 1,010</p> <p>Weight: 9,460 kg</p>	<p>Ultra long attachment : 6.1m arm + 3.5m boom insert (including enclosed stand)</p>  <p>9,220 2,030</p> <p>Overall width: 1,770 mm Weight: 7,620 kg</p>
<p>Ultra long attachment : 6.1m arm (including enclosed stand)</p>  <p>6,590 2,200</p> <p>Overall width: 1,770 mm Weight: 5,930 kg</p>	<p>Ultra long attachment : 3.5m boom insert (including optional stand)</p>  <p>4,310 850 1,910 920 1,190</p> <p>Overall width: 1,770 mm Weight: 1,960 kg</p>	<p>Separate boom (including enclosed stand)</p>  <p>8,850 2,980</p> <p>Overall width: 1,770 mm Weight: 6,680 kg</p>



Dimensions SK400D_{LC}

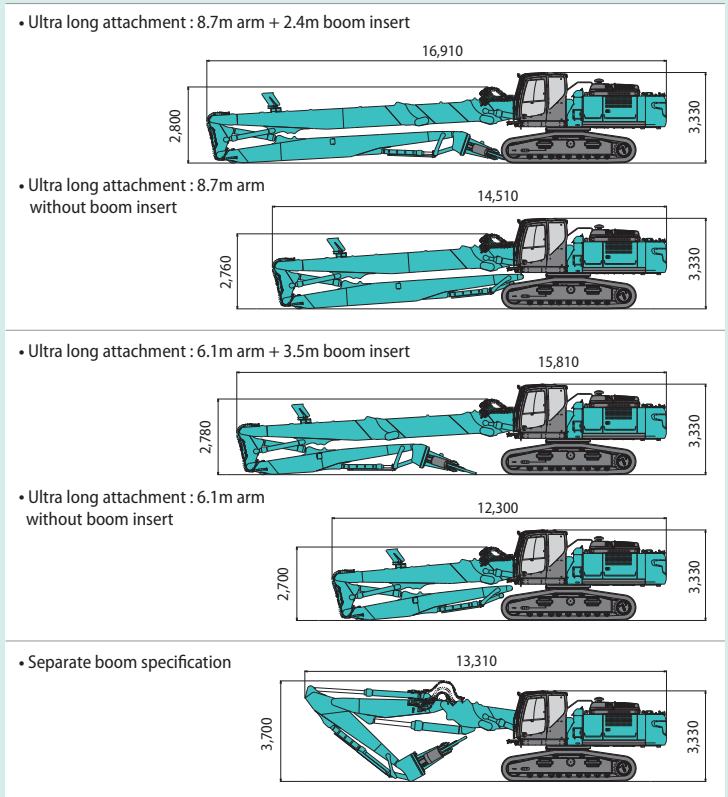
Dimensions (main body + base boom)

Unit: mm



Assembled machine dimensions

Unit: mm



Disassembled dimensions and weight

Unit: mm

<p>Main body + base boom</p> <p>Weight: 38,700 kg</p>	<p>Main body + base boom (without counterweight)</p> <p>Weight: 28,500 kg</p>	<p>Main body + base boom + 3.5m boom insert</p> <p>Weight: 40,300 kg</p>
<p>Main body + base boom + 3.5m boom insert (without counterweight)</p> <p>Weight: 30,200 kg</p>	<p>Main body + base boom + 2.4m boom insert</p> <p>Weight: 40,100 kg</p>	<p>Main body + base boom + 2.4m boom insert (without counterweight)</p> <p>Weight: 29,900 kg</p>
<p>Counterweight Case</p> <p>Weight: 3,220 kg</p>	<p>Counterweight</p> <p>Weight: 6,860 kg</p>	<p>Ultra long attachment : 8.7m arm + 2.4m boom insert (including enclosed stand)</p> <p>Overall width: 1,770 mm Weight: 8,450 kg</p>
<p>Ultra long attachment : 8.7m arm (including enclosed stand)</p> <p>Overall width: 1,770 mm Weight: 7,040 kg</p>	<p>Ultra long attachment : 2.4m boom insert (including optional stand)</p> <p>Overall width: 1,770 mm Weight: 1,650 kg</p>	<p>Ultra long attachment : 6.1m arm + 3.5m boom insert (including enclosed stand)</p> <p>Overall width: 1,770 mm Weight: 7,620 kg</p>
<p>Ultra long attachment : 6.1m arm (including enclosed stand)</p> <p>Overall width: 1,770 mm Weight: 5,930 kg</p>	<p>Ultra long attachment : 3.5m boom insert (including optional stand)</p> <p>Overall width: 1,770 mm Weight: 1,960 kg</p>	<p>Separate boom (including enclosed stand)</p> <p>Overall width: 1,850 mm Weight: 6,680 kg</p>

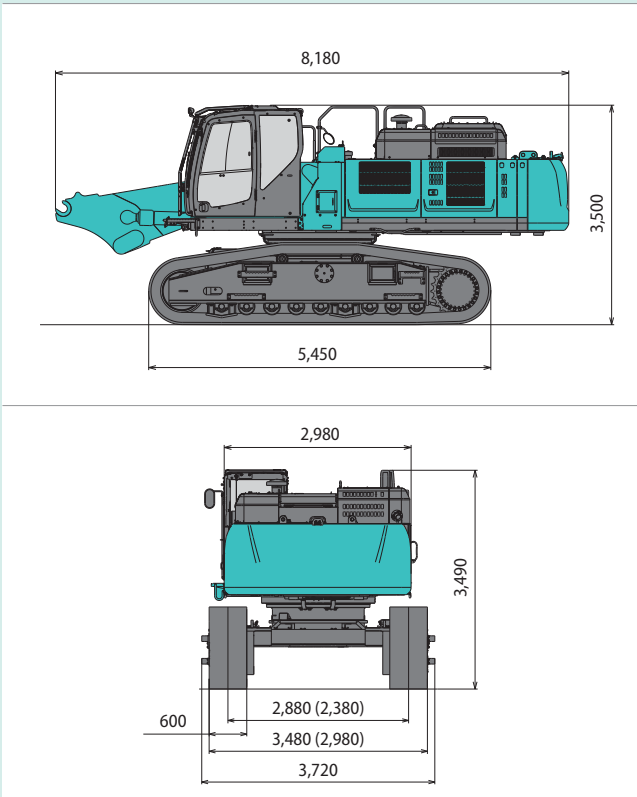


Dimensions

SK550D_{LG}

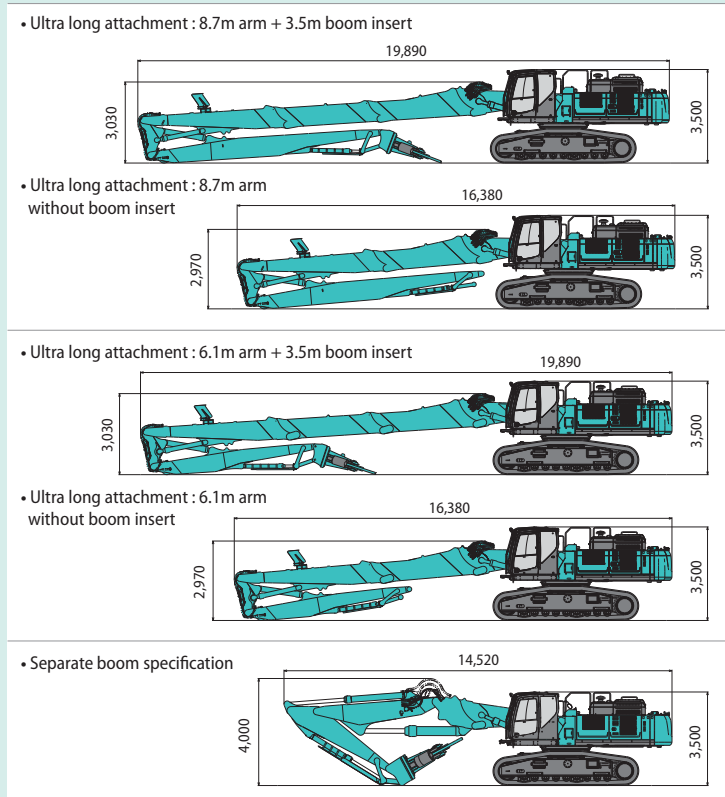
Dimensions (main body + base boom)

Unit: mm



Assembled machine dimensions

Unit: mm

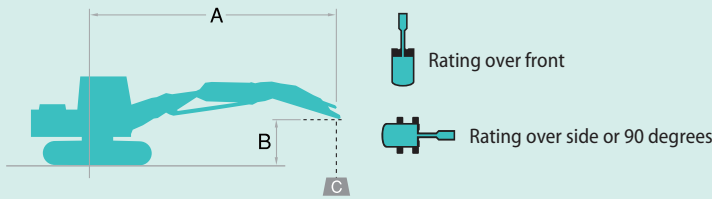


Disassembled dimensions and weight

Unit: mm

<p>Main body + base boom</p> <p>Weight: 50,700 kg</p>	<p>Main body + base boom (without counterweight)</p> <p>Weight: 39,500 kg</p>	<p>Counterweight Case</p> <p>Weight: 4,810 kg</p>
<p>Counterweight</p> <p>Weight: 6,260 kg</p>	<p>Ultra long attachment : 8.7m arm + 3.5m boom insert (including enclosed stand)</p> <p>Overall width: 1,770 mm Weight: 8,120 kg</p>	<p>Ultra long attachment : 8.7m arm (including enclosed stand)</p> <p>Overall width: 1,770 mm Weight: 6,440 kg</p>
<p>Ultra long attachment : 6.1m arm + 3.5m boom insert (including enclosed stand)</p> <p>Overall width: 1,770 mm Weight: 7,620 kg</p>	<p>Ultra long attachment : 6.1m arm (including enclosed stand)</p> <p>Overall width: 1,770 mm Weight: 5,930 kg</p>	<p>Ultra long attachment : 3.5m boom insert (including optional stand)</p> <p>Overall width: 1,770 mm Weight: 1,960 kg</p>
<p>Ultra long attachment : 3.5m boom adapter (including optional stand)</p> <p>Overall width: 1,850 mm Weight: 2,060 kg</p>	<p>Separate boom (including enclosed stand)</p> <p>Overall width: 1,850 mm Weight: 8,680 kg</p>	

Lifting Capacity



A – Reach from swing centerline to arm tip
B – Arm bucket pin height above/below ground
C – Lifting capacities in kilograms

SK350D LC

SK350DLC		Boom: Separate boom		Arm: 3.3 m		Bucket: without		Shoe: 600 mm (Heavy Lift)											
B	A	1.5 m		3.0 m		4.5 m		6.0 m		7.5 m		9.0 m		10.5 m		At Max. Reach		Radius	
13.5 m	kg																*13,100	*13,100	2.88 m
12.0 m	kg					*10,860	*10,860	*7,190	*7,190								*7,630	*7,630	6.41 m
10.5 m	kg					*9,380	*9,380	*9,560	*9,560	*5,930	*5,930						*6,240	6,240	8.31 m
9.0 m	kg					*8,530	*8,530	*9,510	*9,510	*5,180	*5,180	*5,290	*5,290				*5,570	4,700	9.61 m
7.5 m	kg					*9,680	*9,680	*10,480	*10,480	*7,770	7,590	*5,060	*5,060	*5,210	3,900		*5,200	3,850	10.53 m
6.0 m	kg					*16,120	*16,120	*11,590	10,080	*9,120	7,080	*5,090	*5,090	*4,960	3,880		*5,000	3,350	11.18 m
4.5 m	kg			*13,850	*13,850	*15,610	14,760	*11,480	8,830	*10,000	6,460	*5,640	4,870	*5,080	3,730		*4,920	3,040	11.60 m
3.0 m	kg					*10,780	*10,780	*13,520	8,040	10,270	5,890	7,850	4,540	*5,440	3,550		*4,940	2,880	11.82 m
1.5 m	kg					*8,620	*8,620	*11,970	7,460	9,810	5,480	7,570	4,280	*5,910	3,410		*5,060	2,850	11.84 m
G.L.	kg			*9,300	*9,300	*8,260	*8,260	*10,630	7,220	9,590	5,290	7,400	4,130	5,970	3,330		*5,210	2,920	11.67 m
-1.5 m	kg			*9,480	*9,480	*8,270	*8,270	*11,440	7,320	9,580	5,280	7,380	4,100	5,990	3,360		*5,030	3,130	11.29 m
-3.0 m	kg	*17,450	*17,450	*14,890	*14,890	*12,860	12,050	*9,010	7,540	*8,070	5,410	*6,720	4,210	*4,790	3,540		*3,900	3,550	10.58 m
-4.5 m	kg			*21,280	*21,280	*13,160	12,500	*9,280	7,880	*7,130	5,670	*5,860	4,490				*4,730	4,420	9.27 m
-6.0 m	kg					*13,860	13,410	*9,920	8,590								*7,580	*7,580	6.52 m

SK400D LC

SK400DLC		Boom: Separate boom		Arm: 3.3 m		Bucket: without		Shoe: 600 mm (Heavy Lift)											
B	A	1.5 m		3.0 m		4.5 m		6.0 m		7.5 m		9.0 m		10.5 m		At Max. Reach		Radius	
13.5 m	kg																*13,090	*13,090	3.19 m
12.0 m	kg					*11,000	*11,000	*7,850	*7,850								*7,620	*7,620	6.53 m
10.5 m	kg					*8,750	*8,750	*9,860	*9,860	*6,220	*6,220						*6,240	*6,240	8.40 m
9.0 m	kg					*8,530	*8,530	*9,530	*9,530	*7,210	*7,210	*7,790	7,230				*5,570	*5,570	9.66 m
7.5 m	kg					*9,850	*9,850	*10,480	*10,480	*8,630	*8,630	*5,550	*5,550	*5,670	5,220		*5,200	5,170	10.57 m
6.0 m	kg					*16,420	*16,420	*11,910	*11,910	*9,410	9,150	*9,050	6,810	*5,480	5,210		*5,000	4,570	11.21 m
4.5 m	kg			*13,840	*13,840	*16,330	*16,330	*11,960	11,670	*10,490	8,510	*7,430	6,550	7,190	5,070		*4,920	4,220	11.62 m
3.0 m	kg					*12,300	*12,300	*13,980	10,980	*11,250	7,960	8,840	6,180	*5,440	4,880		*4,940	4,040	11.82 m
1.5 m	kg					*8,640	*8,640	*12,320	10,320	11,070	7,570	8,540	5,900	6,850	4,740		*5,050	4,000	11.83 m
G.L.	kg			*9,300	*9,300	*8,360	*8,360	*12,190	10,090	10,880	7,390	8,380	5,750	6,780	4,670		*5,280	4,090	11.65 m
-1.5 m	kg			*9,730	*9,730	*8,270	*8,270	*12,190	10,160	*10,560	7,340	8,350	5,730	6,800	4,690		*5,140	4,350	11.26 m
-3.0 m	kg	*17,440	*17,440	*15,260	*15,260	*14,310	*14,310	*10,130	*10,130	*9,070	7,470	*6,920	5,830	*4,910	4,860		*4,910	4,850	10.52 m
-4.5 m	kg			*21,660	*21,660	*14,120	*14,120	*9,970	*9,970	*8,060	7,740	*6,000	*6,000				*5,890	*5,890	9.17 m
-6.0 m	kg					*14,100	*14,100	*10,390	*10,390								*9,290	*9,290	6.21 m

SK550D LC

SK550DLC		Boom: Separate boom		Arm: 3.45 m		Bucket: without		Shoe: 600 mm (Heavy Lift)											
B	A	3.0 m		4.5 m		6.0 m		7.5 m		9.0 m		10.5 m		12.0 m		At Max. Reach		Radius	
13.5 m	kg																*14,010	*14,010	5.94 m
12.0 m	kg					*11,980	*11,980	*10,650	*10,650								*11,080	*11,080	8.19 m
10.5 m	kg					*11,690	*11,690	*8,810	*8,810	*9,290	*9,290						*9,590	8,360	9.69 m
9.0 m	kg							*11,460	*11,460	*8,770	*8,770	*8,580	*8,580	*8,690	7,270		*8,720	6,820	10.78 m
7.5 m	kg			*9,870	*9,870	*11,460	*11,460	*11,110	*11,110	*8,400	*8,400	*7,990	*7,990	*8,250	7,200		*8,110	5,890	11.57 m
6.0 m	kg			*15,000	*15,000	*11,340	*11,340	*9,460	*9,460	*8,210	*8,210	*8,220	7,070	*7,750	5,450		*7,650	5,310	12.13 m
4.5 m	kg			*14,210	*14,210	*12,110	*12,110	*9,900	*9,900	*8,850	8,650	*8,440	6,820	*7,710	5,390		*7,240	4,960	12.47 m
3.0 m	kg			*8,390	*8,390	*12,770	*12,770	*11,190	10,170	*9,600	8,100	*8,640	6,430	*7,570	5,210		*6,850	4,780	12.63 m
1.5 m	kg			*7,570	*7,570	*8,510	*8,510	*12,250	9,870	*10,270	7,640	*8,780	6,200	*7,240	5,100		*6,420	4,750	12.60 m
G.L.	kg			*7,930	*7,930	*8,370	*8,370	*11,820	9,510	*9,940	7,450	*8,230	6,040	*6,770	5,080		*5,900	4,870	12.40 m
-1.5 m	kg	*10,470	*10,470	*7,820	*7,820	*11,390	*11,390	*11,000	9,560	*9,030	7,420	*7,360	6,040				*5,220	5,160	12.00 m
-3.0 m	kg	*17,640	*17,640	*15,530	*15,530	*10,760	*10,760	*9,040	*9,040	*7,720	7,530	*6,510	6,190				*5,180	*5,180	11.23 m
-4.5 m	kg	*26,160	*26,160	*15,920	*15,920	*11,530	*11,530	*8,560	*8,560	*7,100	*7,100						*6,300	*6,300	9.82 m
-6.0 m	kg			*16,800	*16,800	*11,850	*11,850										*10,100	*10,100	6.93 m

Notes:
 1. Do not attempt to lift or hold any load that is greater than these lift capacities at their specified lift point radius and heights. Weight of all accessories must be deducted from the above lift capacities.
 2. Lift capacities are based on machine standing on level, firm, and uniform ground. User must make allowance for job conditions such as soft or uneven ground, out of level conditions, side loads, sudden stopping of loads, hazardous conditions, experience of personnel, etc.
 3. Arm bucket pin, without bucket is defined as lift point.
 4. The above lifting capacities are in compliance with SAE J150 10567. They do not exceed 87 % of hydraulic lifting capacity or 75 % of tipping load. Lifting capacities marked with an asterisk (*) are limited by hydraulic capacity rather than tipping load.
 5. Operator should be fully acquainted with the Operator's and Maintenance Instructions before operating this machine. Rules for safe operation of equipment should be adhered to at all times.
 6. Lift capacities apply to only machines as originally manufactured and normally equipped by KOBELCO CONSTRUCTION MACHINERY CO., LTD.
 7. Use this machine in the following applications. In specification for ultra long attachment type ,demolition work . In specification for separate boom type , demolition work & loading work. Never use the machine for any purpose other than the above applications.
 8. Please read carefully the manual before using machine.

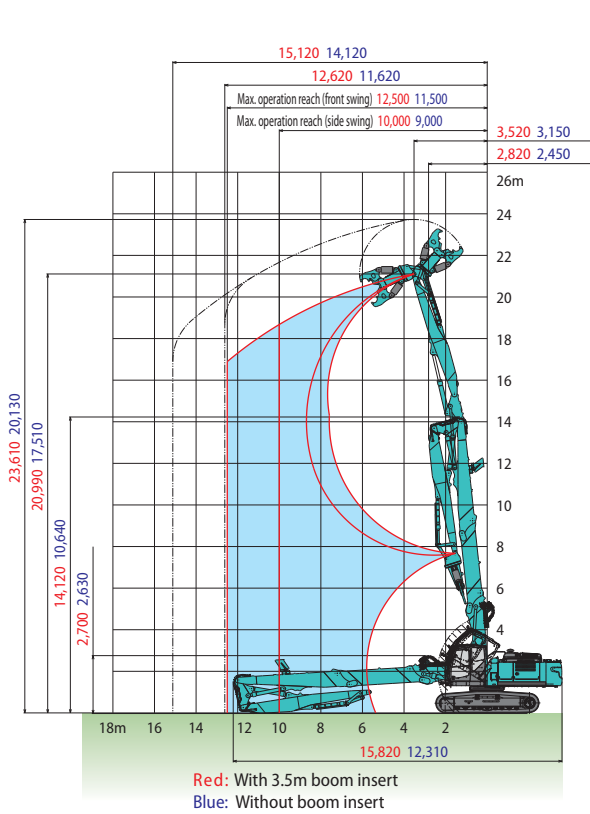


Working Ranges

SK350D_{LC}

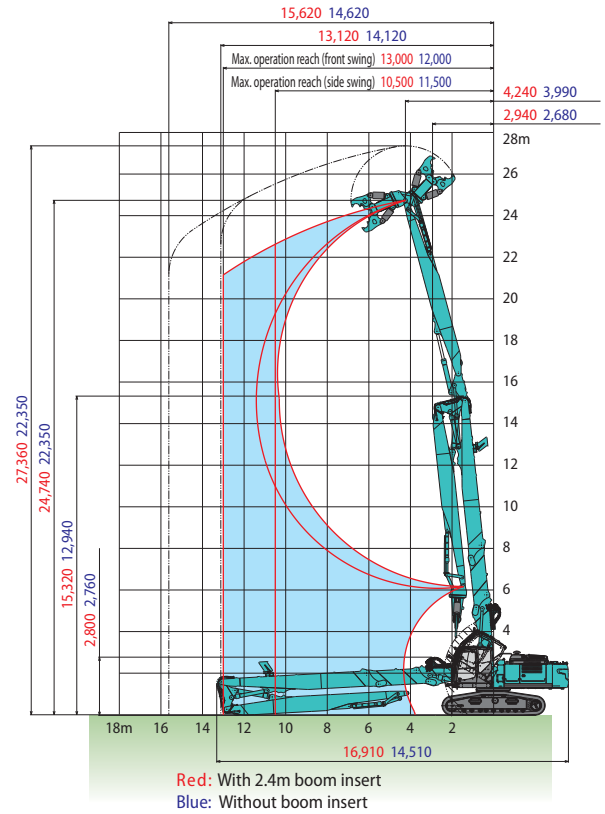
Unit: mm

Ultra long attachment specification : 6.1 m arm

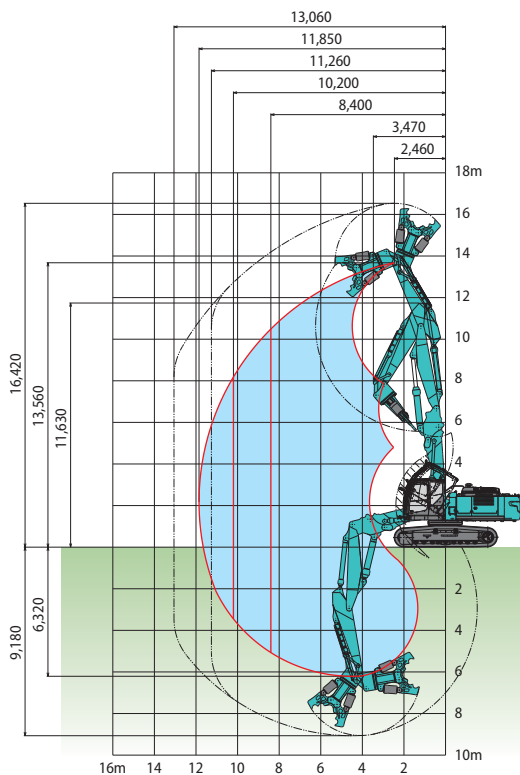


SK400D_{LC}

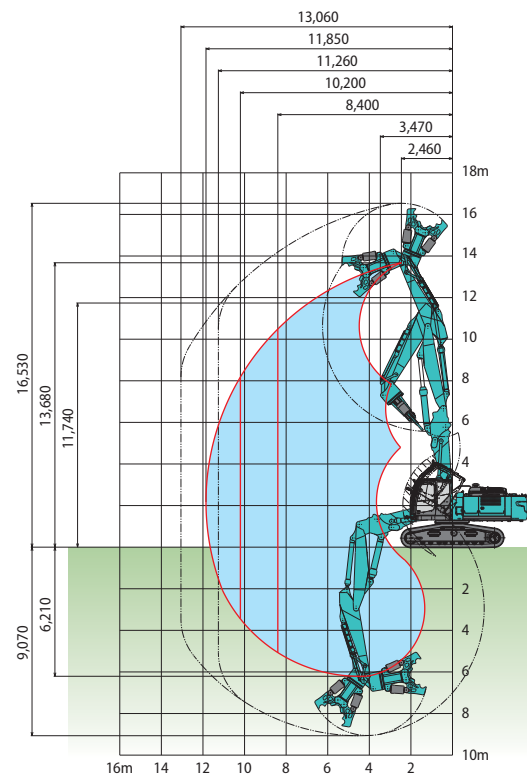
Ultra long attachment specification : 8.7 m arm



Separate boom specification



Separate boom specification

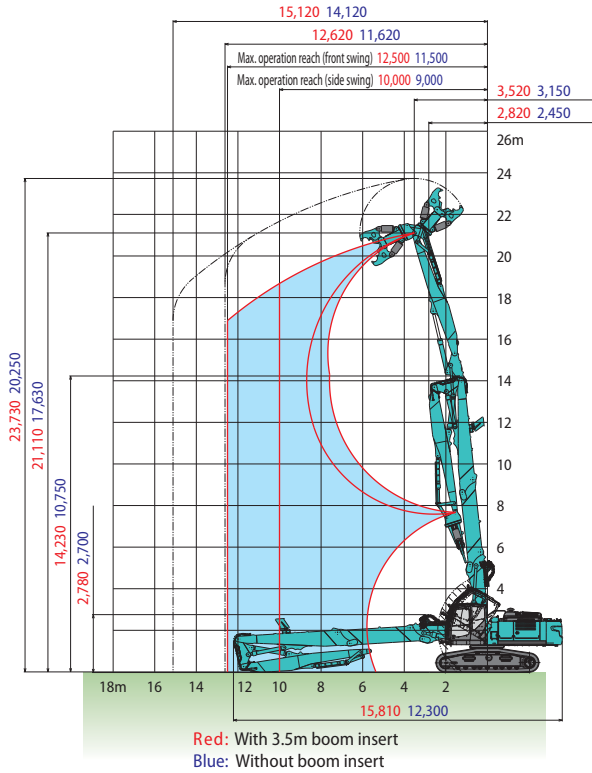


SK550D_{LC}

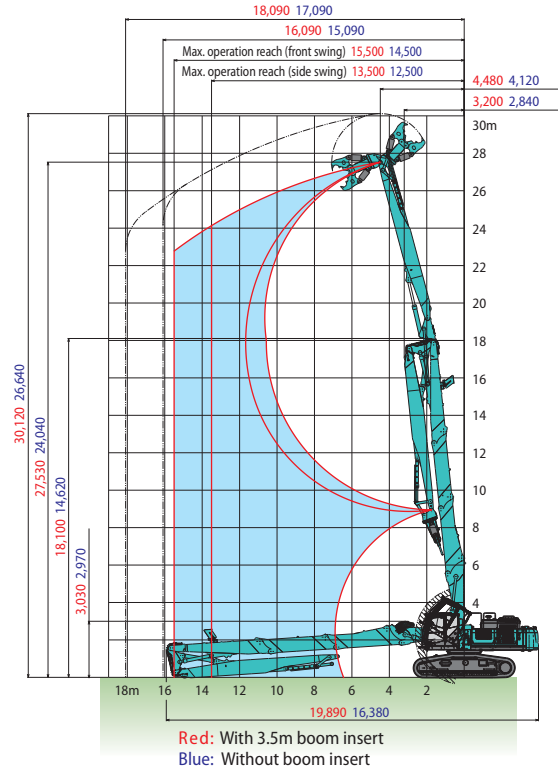
Unit: mm

Unit: mm

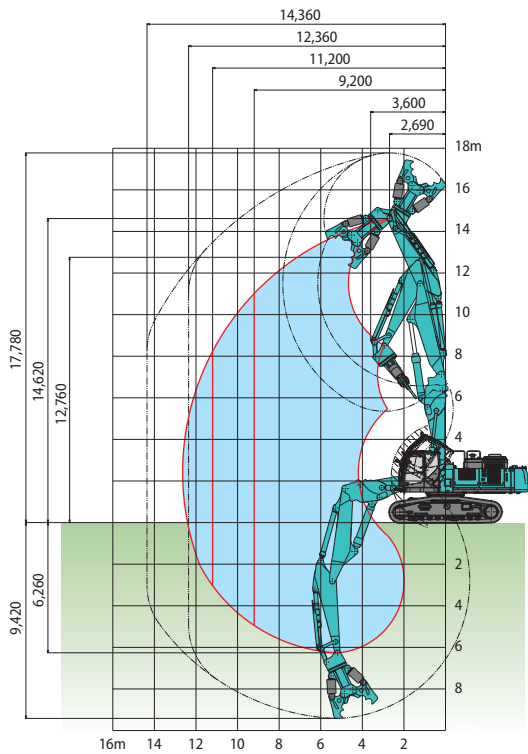
Ultra long attachment specification : 6.1m arm



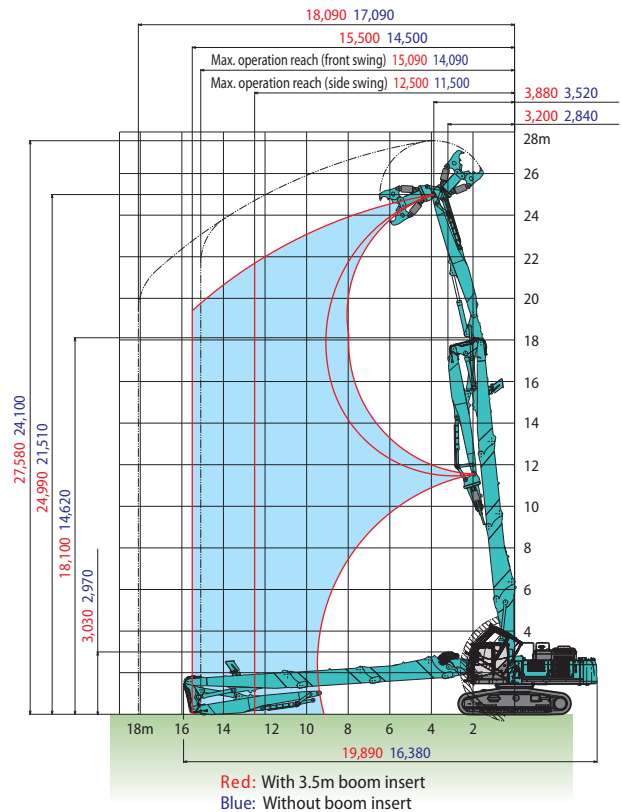
Ultra long attachment specification : 8.7m arm



Separate boom specification



Ultra long attachment specification : 6.1m arm



STANDARD EQUIPMENT

Note: Standard and optional equipment may vary. Consult your KOBELCO dealer for specifics.

ENGINE

SK350DLC / SK400DLC

- Turbocharged and inter-cooled HINO J08EVV-KSDK Tier IV Final Diesel engine
- Automatic engine deceleration
- Auto Idle Stop (AIS)
- Batteries (2 x 12V - 96Ah)
- Starting motor (24V - 5 kW), 60 amp alternator
- Removable radiator clean-out screen
- Automatic engine shut-down if low engine oil pressure
- Side by side oil, hydraulic and engine radiators
- Double-element air cleaner
- Refueling pump

SK550DLC

- Engine, HINO P11C-VN, diesel engine with turbocharger and intercooler
- Automatic engine deceleration
- Auto Idle Stop (AIS)
- Batteries (2 x 12V - 176Ah)
- Starting motor (24V - 5 kW), 60 amp alternator
- Automatic engine shut-down for low engine oil pressure
- Engine oil pan drain cock
- Double element air cleaner
- Refueling pump

CONTROL

- Working mode selector (H-mode, S-mode and ECO-mode)
- Power Boost (only separate boom specification)

HYDRAULIC

- Auto warm-up system
- Hydraulic oil cooler
- Hydraulic oil filter condition indicator
- Hydraulic oil for cold climates
- Quick hitch piping
- Multi-coupler (QH line x 2, rotation line x 2, jib & arm pilot line x 2, drain x 1)

SWING SYSTEM & TRAVEL SYSTEM

- Swing rebound prevention system
- Two-speed travel with automatic down shift
- Sealed & lubricated track links
- 600mm shoes
- Grease-type track adjusters
- Automatic swing brake
- Hydraulic retractable crawler

MIRRORS, LIGHTS & CAMERAS

- Two rearview mirrors
- Rear-view camera
- Three front working lights (1 on upper carriage, 2 on cab)
- Attachment front work light (separate boom: 2, ultra long attachment: 2)
- Right side camera, additional monitor
- Cab foot light
- Cab foot mirror

CAB & CONTROL

- Tilt cab
- Demolition special cab
- Electric horn
- All-weather, sound-insulated cab
- P5A glass
- Easy to read multi-display monitor
- Automatic climate control
- Defroster
- Air suspension seat with heater
- Headrest
- Bluetooth installed radio (AM/FM Stereo with speakers)
- Luggage tray
- Large cup holder
- Detachable two-piece floor mat
- Handrails
- Wiper (top and front window)
- Emergency escape hammer
- Attachment pressure release switch
- Manual DPF regeneration switch
- 12 V converter
- Tip-over warning device
- Cab interference prevention system

- Boom & arm & jib cylinder holding valves
- Slow return check valves
- 9mm thick swivel guard
- 6mm thick upper frame under cover guards
- Auto lubrication system
- Rotation and N&B auxiliary circuits and piping
- Stand for Ultra long and Separate Attachment
- Falling object deflector
- One way call
- Remote machine monitoring system "KOMEXS"
- Additional tool box (SK400DLC / SK550DLC)

- Cab tilt operation alarm
- Cab emergency lowering device
- Crosspiece for operator safety in cab
- Console tilt
- Cab tilt maintenance stopper
- Battery shut-off

OPTIONAL EQUIPMENT

- Stand for 3.5m (2.4m) insert and 3.5m adapter
- Extended guard rail (SK350DLC / SK400DLC)
- Additional track guides
- Full track guides
- Travel alarm
- Pin removal equipment
- Water spray for separate boom and ultra long attachment
- Additional tool box (only SK350DLC)

Note: This catalog may contain attachments and optional equipment that are not available in your area. And it may contain photographs of machines with specifications that differ from those of machines sold in your areas. Please consult your nearest KOBELCO distributor for those items you require.

Specialist equipment is needed to use this machine in demolition work. Before using it please contact your KOBELCO dealer.

Due to our policy of continuous product improvements all designs and specifications are subject to change without advance notice.

Copyright by **KOBELCO CONSTRUCTION MACHINERY CO., LTD.** No part of this catalog may be reproduced in any manner without notice.

KOBELCO CONSTRUCTION MACHINERY EUROPE B.V.

Veluwezoom 15
1327 AE Almere
The Netherlands
www.kobelco-europe.com

Inquiries To: