



Engine

Model ----- Cummins B3.3(UK)
 Type ----- Four-cylinder,water-cooled
 turbocharged,mechanical injection
 Rated power ----- 60KW
 Rated speed ----- 2200rpm

Hydraulic System

Main pump ----- KAWASAKI/Doosan
 Main valve ----- TOSHIBA/Parker
 Motor ----- TOSHIBA/Parker
 Hydraulic flow rate ----- 170L/min
 Hydraulic pressure ----- 30MPa

Operating Scope

Stick length ----- 1780mm
 A: Max. cutting height ----- 7250mm
 B: Max. dumping height ----- 5350mm
 C: Max. digging depth ----- 3930mm
 D: Max. reach ----- 6460mm

Main Technical Specification

Operating weight ----- 8200Kg
 Standard bucket capacity ----- 0.35m³
 Slewing speed ----- 12rpm
 Stick digging force ----- 39.3KN
 Bucket digging force ----- 58KN

Travelling System

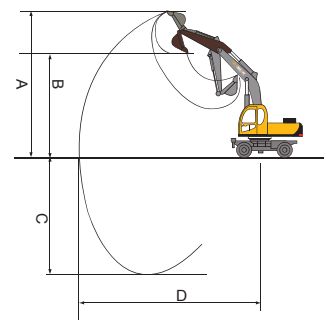
Front and rear axle driving, with wheel hub and front axle steering
 Travelling speed ----- 25km/h
 Grade ability ----- 40%

Main Features

Advanced loading sensor system
 Independent hydraulic steering and driving system
 Ergonomically designed cab

Dimensions

Overall length ----- 6250mm
 Overall width ----- 2160mm
 Overall height of boom ----- 2600mm
 Overall height of cab ----- 2750mm
 Engine cover height ----- 1976mm
 Counterweight clearance ----- 1045mm
 Ground clearance ----- 260mm
 Upperstructure width ----- 2160mm
 Rear-end length/Slewing radius ----- 1850mm
 Wheel base ----- 2400mm
 Overall width of blade ----- 2120mm
 Overall height of blade ----- 450mm
 Front overhang ----- 930mm
 Overall width with outrigger extended ----- 2850mm
 Rear overhang ----- 780mm



Main Applications

Road construction
 City dwellings construction
 Pipe laying
 Road repairing project

Optional

Hydraulic breaker
 Quick coupler