

# SUPER LONG FRONT

## ZAXIS 210<sub>LC</sub>/250<sub>LC</sub>/290<sub>LC</sub>/350<sub>LC</sub>

A P P L I C A T I O N & A T T A C H M E N T



Model Code	ZX210LC-5B / ZX210LCN-5B
Engine Rated Power	122 kW (164 HP)
Operating Weight	21 900 - 22 600 kg

Model Code	ZX250LC-5B / ZX250LCN-5B
Engine Rated Power	132 kW (177 HP)
Operating Weight	26 000 - 27 900 kg

Model Code	ZX290LC-5B
Engine Rated Power	140 kW (188 HP)
Operating Weight	29 900 - 31 200 kg

Model Code	ZX350LC-5B / ZX350LCN-5B
Engine Rated Power	202 kW (271 HP)
Operating Weight	35 300 - 37 300 kg

# SPECIFICATIONS

## ZX210LC / ZX210LCN TYPE H15LD SUPER LONG FRONT

### ENGINE

Model .....	Isuzu AM-4HK1X
Type .....	4-cycle water-cooled, common rail direct injection
Aspiration .....	Variable geometry turbocharged, intercooled, cooled EGR
Aftertreatment .....	Muffler filter
No. of cylinders .....	4
Rated power	
ISO 9249, net .....	122 kW (164 HP) at 2 000 min <sup>-1</sup> (rpm)
EEC 80/1269, net .....	122 kW (164 HP) at 2 000 min <sup>-1</sup> (rpm)
SAE J1349, net .....	122 kW (164 HP) at 2 000 min <sup>-1</sup> (rpm)
Maximum torque .....	652 Nm (66.5 kgfm) at 1 500 min <sup>-1</sup> (rpm)
Piston displacement ....	5.190 L
Bore and stroke .....	115 mm x 125 mm
Batteries .....	2 x 12 V / 126 Ah

### HYDRAULIC SYSTEM

#### Hydraulic pumps

Main pumps .....	3 variable displacement axial piston pumps
Maximum oil flow .....	2 x 212 L/min
	1 x 189 L/min
Pilot pump .....	1 gear pump
Maximum oil flow .....	33.6 L/min

#### Hydraulic Motors

Travel .....	2 variable displacement axial piston motors
Swing .....	1 axial piston motor

#### Relief Valve Settings

Implement circuit .....	34.3 MPa (350 kgf/cm <sup>2</sup> )
Swing circuit .....	32.4 MPa (330 kgf/cm <sup>2</sup> )
Travel circuit .....	35.5 MPa (362 kgf/cm <sup>2</sup> )
Pilot circuit .....	3.9 MPa (40 kgf/cm <sup>2</sup> )
Power boost .....	38.0 MPa (388 kgf/cm <sup>2</sup> )

#### Hydraulic Cylinders

	Quantity	Bore	Rod diameter
Boom	2	120 mm	85 mm
Arm	1	135 mm	100 mm
Bucket	1	95 mm	65 mm

### UPPERSTRUCTURE

#### Revolving Frame

D-section frame for resistance to deformation.

#### Swing Device

Axial piston motor with planetary reduction gear is bathed in oil. Swing circle is single-row. Swing parking brake is spring-set/hydraulic-released disc type.

Swing speed .....	11.8 min <sup>-1</sup> (rpm)
Swing torque .....	68 kNm (6 940 kgfm)

#### Operator's Cab

Independent spacious cab, 1 005 mm wide by 1 675 mm high, conforming to ISO\* Standards.

\* International Organization for Standardization

### UNDERCARRIAGE

#### Tracks

Heat-treated connecting pins with dirt seals. Hydraulic (grease) track adjusters with shock-absorbing recoil springs.

#### Numbers of Rollers and Shoes on Each Side

Upper rollers .....	2
Lower rollers .....	8
Track shoes .....	49
Track guard .....	1

#### Travel Device

Each track driven by 2-speed axial piston motor. Parking brake is spring-set/hydraulic-released disc type. Automatic transmission system: High-Low.

Travel speeds .....	High : 0 to 5.5 km/h
	Low : 0 to 3.4 km/h

Maximum traction force .....	203 kN (20 700 kgf)
------------------------------	---------------------

Gradeability .....	70% (35 degree) continuous
--------------------	----------------------------

### SOUND LEVEL

Sound level in cab according to ISO 6396 .....	LpA 69 dB(A)
External sound level according to ISO 6395 and EU Directive 2000/14/EC .....	LwA 101 dB(A): ZAXIS 210LC
	LwA 102 dB(A): ZAXIS 210LCN

### SERVICE REFILL CAPACITIES

Fuel tank .....	400.0 L: ZAXIS 210LC
	330.0 L: ZAXIS 210LCN
Engine coolant .....	25.0 L
Engine oil .....	23.0 L
Swing device .....	6.2 L
Travel device (each side) .....	6.8 L
Hydraulic system .....	240.0 L: ZAXIS 210LC
	220.0 L: ZAXIS 210LCN
Hydraulic oil tank .....	135.0 L: ZAXIS 210LC
	115.0 L: ZAXIS 210LCN

## WEIGHTS AND GROUND PRESSURE

### ZAXIS 210LC TYPE H15LD SUPER LONG FRONT

Equipped with 8.64 m boom, 5.83 m arm and 0.45 m<sup>3</sup> bucket (SAE, PCSA heaped), 5 380 kg counterweight.

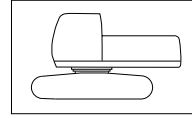
Shoe type	Shoe width	kg	kPa (kgf/cm <sup>2</sup> )
Triple grouser	600 mm	21 900	45 (0.46)
	700 mm	22 200	39 (0.40)
	800 mm	22 500	35 (0.36)

### ZAXIS 210LCN TYPE H15LD SUPER LONG FRONT

Equipped with 8.64 m boom, 5.83 m arm and 0.40 m<sup>3</sup> (G600) 0.30 m<sup>3</sup> (G500) bucket (SAE, PCSA heaped), 5 380 kg counterweight.

Shoe type	Shoe width	kg	kPa (kgf/cm <sup>2</sup> )
Triple grouser	500 mm	22 300	55 (0.56)
	600 mm	22 600	47 (0.48)

## Basic Machine Weight and Overall width



Excluding front end attachment, fuel, hydraulic oil and coolant etc. Including counterweight.

### ZAXIS 210LC

Shoe width	Weight	Overall width
600 mm	17 500 kg	2 990 mm
700 mm	17 800 kg	3 090 mm
800 mm	18 100 kg	3 190 mm

### ZAXIS 210LCN

Shoe width	Weight	Overall width
500 mm	17 900 kg	2 500 mm
600 mm	18 200 kg	2 580 mm

## BUCKET SPECIFICATIONS AND COMPATIBILITY

### ZAXIS 210LC / ZAXIS 210LCN

	Capacity ISO heaped	Width Without side cutters	Weight	Recommendation		
				ZAXIS 210LC	ZAXIS 210LCN	
				H15LD	H15LD (G500)	H15LD (G600)
Backhoe	0.30 m <sup>3</sup>	580 mm	313 kg	⊙	⊙	⊙
	0.40 m <sup>3</sup>	720 mm	361 kg	⊙	—	⊙
	0.45 m <sup>3</sup>	800 mm	390 kg	⊙	—	—
Slope finishing	—	1 500 mm	356 kg	◇	◇	◇
Max.weight				1 290 kg	1 100 kg	1 130 kg

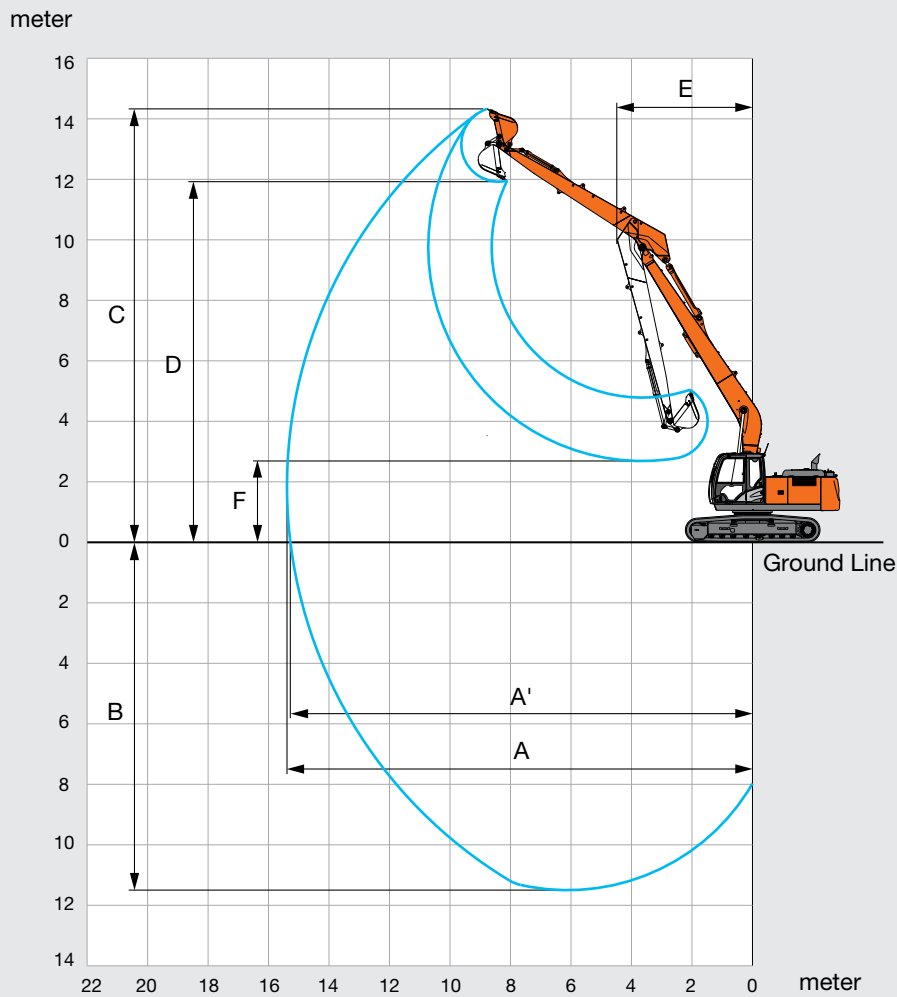
⊙ Suitable for materials with density of 1 800 kg/m<sup>3</sup> or less

◇ Slope-finishing service

# SPECIFICATIONS

ZX210LC / ZX210LCN TYPE H15LD SUPER LONG FRONT

## WORKING RANGES

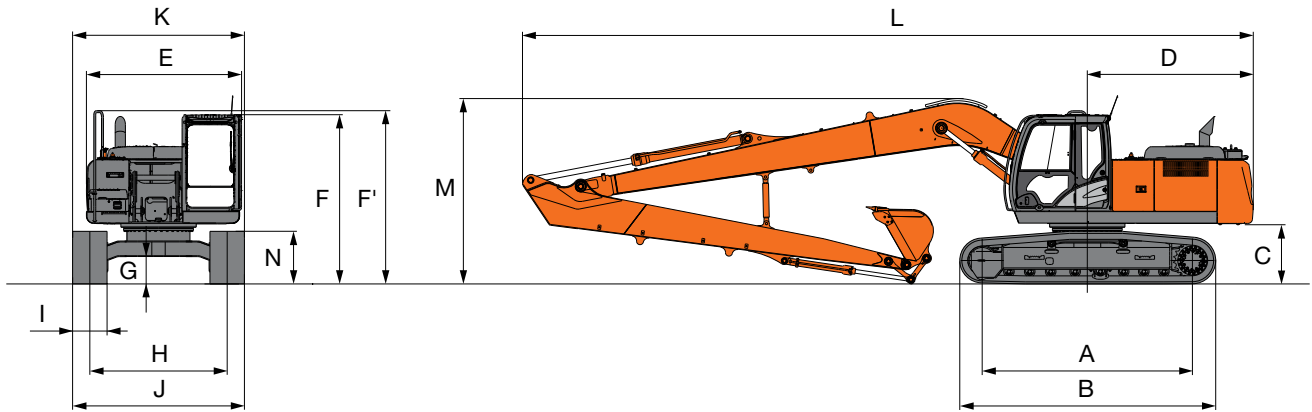


Unit: mm

	ZAXIS 210LC / ZAXIS 210LCN TYPE H15LD
A Max. digging reach	15 380
A' Max. digging reach (on ground)	15 270
B Max. digging depth	11 520
C Max. cutting height	14 300
D Max. dumping height	11 890
E Min. swing radius	4 480
F Min. dumping height	2 660
Bucket digging force ISO	84 kN (8 600 kgf)
Bucket digging force SAE:PCSA	74 kN (7 500 kgf)
Arm crowd force ISO	50 kN (5 100 kgf)
Arm crowd force SAE:PCSA	49 kN (5 000 kgf)

Excluding track shoe lug

## DIMENSIONS



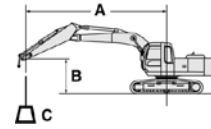
Unit: mm

	ZAXIS 210LC TYPE H15LD	ZAXIS 210LCN TYPE H15LD
A Distance between tumblers		3 660
B Undercarriage length		4 460
*C Counterweight clearance		1 030
D Rear-end swing radius		2 890
E Overall width of upperstructure	2 710	2 480
F Overall height of cab		2 950
F' Overall height of upperstructure		3 010
*G Min. ground clearance		450
H Track gauge	2 390	1 980
I Track shoe width	G 600 / G 700 / G 800	G 500 / G 600
J Undercarriage width	2 990 / 3 090 / 3 190	2 480 / 2 580
K Overall width	2 990 / 3 090 / 3 190	2 500 / 2 580
L Overall length		12 720
M Overall height of boom		3 230
N Track height with triple grouser shoes		920

\* Excluding track shoe lug      G: Triple grouser shoe

# LIFTING CAPACITIES

- Notes: 1. Ratings are based on ISO 10567.  
 2. Lifting capacity does not exceed 75% of tipping load with the machine on firm, level ground or 87% full hydraulic capacity.  
 3. The load point is the center-line of the bucket pivot mounting pin on the arm.  
 4. \*Indicates load limited by hydraulic capacity.  
 5. 0 m = Ground.



- A: Load radius  
 B: Load point height  
 C: Lifting capacity

For lifting capacities, subtract bucket and quick hitch weight from lifting capacities without bucket.

## ZAXIS 210LC TYPE H15LD SUPER LONG FRONT





Rating over-side or 360 degrees













Unit : kg











Conditions	Load point height m	Load radius											
		1.5 m		3.0 m		4.5 m		6.0 m		7.5 m		9.0 m	
Boom 8.64 m	10.5												
Arm 5.83 m	9.0												
Counterweight 5 380 kg	7.5												
Shoe 600 mm	6.0											*2 870	*2 870
	4.5									*3 550	*3 550	*3 540	2 960
	3.0					*6 990	*6 990	*5 080	*5 080	*4 120	3 870	*3 540	2 960
	1.5					*4 680	*4 680	*5 990	4 800	*4 680	3 570	*3 910	2 770
	0 (Ground)			*1 310	*1 310	*3 680	*3 680	*6 660	4 430	*5 140	3 330	4 110	2 610
	-1.5	*1 600	*1 600	*2 210	*2 210	*4 010	*4 010	7 020	4 210	5 120	3 160	3 980	2 480
	-3.0	*2 540	*2 540	*3 170	*3 170	*4 820	*4 820	6 910	4 120	5 010	3 060	3 900	2 410
	-4.5	*3 490	*3 490	*4 240	*4 240	*5 950	*5 950	6 900	4 110	4 980	3 030	3 870	2 380
	-6.0	*4 530	*4 530	*5 460	*5 460	*7 430	6 360	*6 620	4 160	5 010	3 060	3 890	2 400
	-7.5	*5 720	*5 720	*6 960	*6 960	*7 630	6 560	*5 970	4 290	*4 810	3 150	*3 910	2 470
	-9.0			*8 210	*8 210	*6 210	*6 210	*4 920	4 490	*3 920	3 310	*2 920	2 640

Conditions	Load point height m	Load radius						At max. reach		
		10.5 m		12.0 m		13.5 m				meter
Boom 8.64 m	10.5	*1 840	*1 840					*1 210	*1 210	11.1
Arm 5.83 m	9.0	*2 330	*2 330	*1 380	*1 380			*1 140	*1 140	12.2
Counterweight 5 380 kg	7.5	*2 590	*2 590	*2 060	2 050			*1 110	*1 110	13.0
Shoe 600 mm	6.0	*2 730	2 560	*2 460	2 010	*1 100	*1 100	*1 100	*1 100	13.5
	4.5	*2 940	2 450	*2 770	1 940	*1 700	1 540	*1 110	*1 110	13.9
	3.0	*3 170	2 330	2 890	1 860	*2 030	1 500	*1 130	*1 130	14.1
	1.5	*3 410	2 200	2 800	1 780	*2 230	1 460	*1 180	*1 180	14.2
	0 (Ground)	3 310	2 090	2 730	1 710	*2 240	1 420	*1 250	*1 250	14.0
	-1.5	3 220	2 010	2 670	1 660	*1 920	1 390	*1 350	*1 350	13.8
	-3.0	3 160	1 960	2 640	1 630			*1 490	1 420	13.3
	-4.5	3 140	1 940	2 640	1 630			*1 690	1 530	12.6
	-6.0	3 170	1 970					*2 010	1 720	11.8
	-7.5	*2 940	2 060					*2 550	2 040	10.6
	-9.0							*2 920	2 640	9.00

**ZAXIS 210LCN TYPE H15LD SUPER LONG FRONT**

 Rating over-front  Rating over-side or 360 degrees Unit : kg

Conditions	Load point height m	Load radius											
		1.5 m		3.0 m		4.5 m		6.0 m		7.5 m		9.0 m	
													
Boom 8.64 m	10.5												
Arm 5.83 m	9.0												
Counterweight 5 380 kg	7.5												
Shoe 600 mm	6.0											*2 870	*2 870
	4.5									*3 550	*3 550		
	3.0					*6 990	*6 990	*5 080	4 830	*4 120	3 520	*3 540	2 690
	1.5					*4 680	*4 680	*5 990	4 330	*4 680	3 230	*3 910	2 500
	0 (Ground)			*1 310	*1 310	*3 680	*3 680	*6 660	3 960	*5 140	2 980	4 060	2 340
	-1.5	*1 600	*1 600	*2 210	*2 210	*4 010	*4 010	6 920	3 750	5 040	2 820	3 920	2 220
	-3.0	*2 540	*2 540	*3 170	*3 170	*4 820	*4 820	6 810	3 650	4 940	2 720	3 840	2 140
	-4.5	*3 490	*3 490	*4 240	*4 240	*5 950	5 500	6 800	3 640	4 900	2 690	3 810	2 110
	-6.0	*4 530	*4 530	*5 460	*5 460	*7 430	5 620	*6 620	3 700	4 940	2 720	3 830	2 130
	-7.5	*5 720	*5 720	*6 960	*6 960	*7 630	5 820	*5 970	3 820	*4 810	2 810	*3 910	2 210
	-9.0			*8 210	*8 210	*6 210	6 100	*4 920	4 020	*3 920	2 970	*2 920	2 380

Conditions	Load point height m	Load radius						At max. reach		
		10.5 m		12.0 m		13.5 m				meter
										
Boom 8.64 m	10.5	*1 840	*1 840					*1 210	*1 210	11.1
Arm 5.83 m	9.0	*2 330	*2 330	*1 380	*1 380			*1 140	*1 140	12.2
Counterweight 5 380 kg	7.5	*2 590	2 420	*2 060	1 860			*1 110	*1 110	13.0
Shoe 600 mm	6.0	*2 730	2 340	*2 460	1 820	*1 100	*1 100	*1 100	*1 100	13.5
	4.5	*2 940	2 230	*2 770	1 750	*1 700	1 380	*1 110	*1 110	13.9
	3.0	*3 170	2 110	2 850	1 680	*2 030	1 340	*1 130	*1 130	14.1
	1.5	3 380	1 990	2 760	1 600	*2 230	1 300	*1 180	*1 180	14.2
	0 (Ground)	3 260	1 880	2 690	1 530	*2 240	1 260	*1 250	1 180	14.0
	-1.5	3 170	1 790	2 630	1 470	*1 920	1 230	*1 350	1 200	13.8
	-3.0	3 110	1 740	2 600	1 440			*1 490	1 260	13.3
	-4.5	3 100	1 720	2 600	1 450			*1 690	1 360	12.6
	-6.0	3 120	1 750					*2 010	1 530	11.8
	-7.5	*2 940	1 840					*2 550	1 830	10.6
	-9.0							*2 920	2 380	9.00

● ..... Standard equipment

○ ..... Optional equipment

## ENGINE

Air cleaner double filters	●
Auto idle system	●
Auto shut-down control	●
Cartridge-type engine oil filter	●
Cartridge-type fuel pre-filter	●
Cartridge-type fuel main filter	●
Dust-proof indoor net	●
Dry-type air filter with evacuator valve (with air filter restriction indicator)	●
Electrical fuel feed pump	●
ECO/PWR mode control	●
Engine oil drain coupler	●
Engine warm-up device	●
Fan guard	●
Fuel cooler	●
Fuel recirculation filter	○
High performance water separator	●
Isolation-mounted engine	●
Muffler filter	●
Pre-cleaner	○
Radiator, oil cooler and intercooler	●
Radiator reserve tank	●
50 A alternator	●

## HYDRAULIC SYSTEM

Auto power lift	●
Control valve with main relief valve	●
Front attachment selector	●
Full-flow filter	●
High mesh full flow filter with restriction indicator	○
Hose rupture valve	○
Pilot filter	●
Power boost	●
Suction filter	●
Swing dampener valve	●
Two extra port for control valve	●
Variable reliefvalve for two extra port	●
Work mode selector	●

## CAB

Auxiliary function lever (Breaker assist)	○
All-weather sound suppressed steel cab	●
AM-FM radio	●
Ashtray	●
Auto control air conditioner	●
AUX. terminal and storage	●
CRES V (Center pillar reinforced structure) cab	●
Drink holder with hot & cool function	●
Electric double horn	●
Engine shut-off switch	●
Equipped with reinforced, tinted (green color) glass windows	●
Evacuation hammer	●
Fire extinguisher bracket	○
Floor mat	●
Footrest	●
Front window washer	●
Glove compartment	●
Hot & cool box	●
Intermittent windshield wipers	●
Key cylinder light	●
Laminated round glass window	○
LED room light with door courtesy	●
OPG front guard Level II (ISO10262) compliant cab	○
OPG top guard fitted Level II (ISO10262) compliant cab	○
Pilot control shut-off lever	●
Rain guard	○
Rear tray	●
Retractable seat belt	●
ROPS (ISO12117-2) compliant cab	●
Rubber radio antenna	●
Seat : air suspension seat with heater	●
Seat adjustment part : backrest, armrest, height and angle, slide forward / back	●
Short wrist control levers	●
Sun visor (front window/side window)	○
Transparent roof with slide curtain	●
Windows on front, upper, lower and left side can be openend	●
2 speakers	●
4 fluid-filled elastic mounts	●
12 V power outlet	○
24 V cigarette lighter	●

## MONITOR SYSTEM

Attachment mode indicator	○
Alarm buzzers: overheat, engine oil pressure, overload	●
Alarms: overheat, engine warning, engine oil pressure, alternator, minimum fuel level, hydraulic filter restriction, air filter restriction, work mode, overload, etc	●
Display of meters: water temperature, hour, fuel rate, clock	●
Other displays: work mode, auto-idle, glow, rearview monitor, operating conditions, etc	●
32 languages selection	●

## LIGHTS

Additional cab roof front lights	○
Additional cab roof rear lights	○
Additional boom light with cover	○
Rotating lamp	○
2 working lights	●

## UPPER STRUCTURE

Electric fuel refilling pump with auto stop and filter	●
Fuel level float	●
Hydraulic oil level gauge	●
Rear view camera	●
Rear view mirror (right & left side)	●
Swing parking brake	●
Tool box	●
Undercover	●
Utility space	●
4 850 kg counterweight	●
530 kg additional counterweight for type H15LD	●
2 x 126 Ah batteries	●

## UNDERCARRIAGE

Bolt-on sprocket	●
Reinforced track links with pin seals	●
Travel motor covers	●
Travel parking brake	●
Track undercover	○
Upper and lower rollers	●
1 track guards (each side) and hydraulic track adjuster	●
2 track guards	○
4 tie down hooks	●
600 mm triple grouser shoes	●
500 mm triple grouser shoes : ZAXIS 210LCN	○
700 / 800 mm triple grouser shoes : ZAXIS 210LC	○

## FRONT ATTACHMENTS

Casted bucket link A	●
Centralized lubrication system	●
Dirt seal on all bucket pins	●
Flanged pin	●
HN bushing	●
Reinforced resin thrust plate	●
WC (tungsten-carbide) thermal spraying	●
Welded bucket link A	○

## ATTACHMENTS

Additional pump (30 L/min)	○
Assist piping	○

## MISCELLANEOUS

Global e-Service	●
Lockable fuel refilling cap	●
Lockable machine covers	●
Onboard information controller	●
Skid-resistant, plates and handrails	●
Standard tool kit	●
Travel direction mark on track frame	●
Theft prevention system*	○

\* Hitachi Construction Machinery cannot be held liable for theft, any system will just minimize the risk of theft.





# SPECIFICATIONS

## ZX250LC / ZX250LCN TYPE H15LD & H18LD SUPER LONG FRONT

### ENGINE

Model .....	Isuzu AL-4HK1X
Type .....	4-cycle water-cooled, common rail direct injection
Aspiration .....	Variable geometry turbocharged, intercooled, cooled EGR
After treatment .....	Muffler filter
No. of cylinders .....	4
Rated power	
ISO 9249, net .....	132 kW (177 HP) at 2 000 min <sup>-1</sup> (rpm)
EEC 80/1269, net ....	132 kW (177 HP) at 2 000 min <sup>-1</sup> (rpm)
SAE J1349, net .....	132 kW (177 HP) at 2 000 min <sup>-1</sup> (rpm)
Maximum torque .....	652 Nm (66.5 kgfm) at 1 800 min <sup>-1</sup> (rpm)
Piston displacement ....	5.193 L
Bore and stroke .....	115 mm x 125 mm
Batteries .....	2 x 12 V / 126 Ah

### HYDRAULIC SYSTEM

#### Hydraulic Pumps

Main pumps .....	3 variable displacement axial piston pumps
Maximum oil flow .....	2 x 224 L/min 1 x 200 L/min
Pilot pump .....	1 gear pump
Maximum oil flow .....	35.5 L/min

#### Hydraulic Motors

Travel .....	2 variable displacement axial piston motors
Swing .....	1 axial piston motor

#### Relief Valve Settings

Implement circuit .....	34.3 MPa (350 kgf/cm <sup>2</sup> )
Swing circuit .....	25.5 MPa (260 kgf/cm <sup>2</sup> )
Travel circuit .....	34.3 MPa (350 kgf/cm <sup>2</sup> )
Pilot circuit .....	3.9 MPa (40 kgf/cm <sup>2</sup> )
Power boost .....	38.0 MPa (388 kgf/cm <sup>2</sup> )

#### Hydraulic Cylinders

#### ZX250LC / ZX250LCN TYPE H15LD SUPER LONG FRONT

	Quantity	Bore	Rod diameter
Boom	2	125 mm	90 mm
Arm	1	170 mm	115 mm
Bucket	1	95 mm	65 mm

#### ZX250LC / ZX250LCN TYPE H18LD SUPER LONG FRONT

	Quantity	Bore	Rod diameter
Boom	2	125 mm	90 mm
Arm	1	145 mm	105 mm
Bucket	1	95 mm	65 mm

### UPPERSTRUCTURE

#### Revolving Frame

D-section frame for resistance to deformation.

#### Swing Device

Axial piston motor with planetary reduction gear is bathed in oil. Swing circle is single-row. Swing parking brake is spring-set/hydraulic-released disc type.

Swing speed .....	11.0 min <sup>-1</sup> (rpm)
Swing torque .....	73.8 kNm (7 530 kgfm)

#### Operator's Cab

Independent spacious cab, 1 005 mm wide by 1 675 mm high, conforming to ISO\* Standards.

\* International Organization for Standardization

### UNDERCARRIAGE

#### Tracks

Heat-treated connecting pins with dirt seals. Hydraulic (grease) track adjusters with shock-absorbing recoil springs.

#### Numbers of Rollers and Shoes on Each Side

Upper rollers .....	2
Lower rollers .....	9
Track shoes .....	51
Track guard .....	1

#### Travel Device

Each track driven by 2-speed axial piston motor. Parking brake is spring-set/hydraulic-released disc type.

Automatic transmission system: High-Low.

Travel speeds .....	High : 0 to 5.5 km/h Low : 0 to 3.4 km/h
---------------------	---

Maximum traction force .....	222 kN (22 600 kgf)
------------------------------	---------------------

Gradeability .....

70% (35 degree) continuous

### SOUND LEVEL

Sound level in cab according to ISO 6396 .....	LpA 70 dB(A)
External sound level according to ISO 6395 and EU Directive 2000/14/EC .....	LwA 102 dB(A)

### SERVICE REFILL CAPACITIES

Fuel tank .....	510.0 L
Engine coolant .....	26.0 L
Engine oil .....	27.0 L
Swing device .....	9.1 L
Travel device (each side) .....	7.8 L
Hydraulic system .....	280.0 L
Hydraulic oil tank .....	156.0 L

## WEIGHTS AND GROUND PRESSURE

### ZX250LC TYPE H15LD SUPER LONG FRONT:

Equipped with 8.50 m monoblock boom, 5.93 m arm and 0.75 m<sup>3</sup> bucket (SAE, PCSA heaped), 6 600 kg counterweight.

Shoe type	Shoe width	Operating weight	Ground pressure
Triple grouser	600 mm	26 100 kg	52 kPa (0.53 kgf/cm <sup>2</sup> )
	700 mm	26 400 kg	45 kPa (0.46 kgf/cm <sup>2</sup> )
	800 mm	26 700 kg	40 kPa (0.41 kgf/cm <sup>2</sup> )
	900 mm	27 200 kg	36 kPa (0.37 kgf/cm <sup>2</sup> )

### ZX250LCN TYPE H15LD SUPER LONG FRONT:

Equipped with 8.50 m monoblock boom, 5.93 m arm and 0.75 m<sup>3</sup> bucket (SAE, PCSA heaped), 6 600 kg counterweight.

Shoe type	Shoe width	Operating weight	Ground pressure
Triple grouser	600 mm	26 000 kg	52 kPa (0.53 kgf/cm <sup>2</sup> )
	700 mm	26 300 kg	45 kPa (0.46 kgf/cm <sup>2</sup> )
	800 mm	26 600 kg	40 kPa (0.41 kgf/cm <sup>2</sup> )
	900 mm	27 100 kg	36 kPa (0.37 kgf/cm <sup>2</sup> )

### ZX250LC TYPE H18LD SUPER LONG FRONT:

Equipped with 10.23 m monoblock boom, 7.28 m arm and 0.4 m<sup>3</sup> bucket (SAE, PCSA heaped), 6 980 kg counterweight.

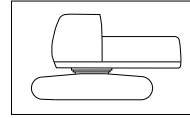
Shoe type	Shoe width	Operating weight	Ground pressure
Triple grouser	600 mm	26 800 kg	53 kPa (0.54 kgf/cm <sup>2</sup> )
	700 mm	27 100 kg	46 kPa (0.47 kgf/cm <sup>2</sup> )
	800 mm	27 400 kg	41 kPa (0.42 kgf/cm <sup>2</sup> )
	900 mm	27 900 kg	37 kPa (0.38 kgf/cm <sup>2</sup> )

### ZX250LCN TYPE H18LD SUPER LONG FRONT:

Equipped with 10.23 m monoblock boom, 7.28 m arm and 0.4 m<sup>3</sup> bucket (SAE, PCSA heaped), 6 980 kg counterweight.

Shoe type	Shoe width	Operating weight	Ground pressure
Triple grouser	600 mm	26 700 kg	53 kPa (0.54 kgf/cm <sup>2</sup> )
	700 mm	27 000 kg	46 kPa (0.47 kgf/cm <sup>2</sup> )
	800 mm	27 300 kg	40 kPa (0.41 kgf/cm <sup>2</sup> )
	900 mm	27 800 kg	36 kPa (0.37 kgf/cm <sup>2</sup> )

## Basic Machine Weight and Overall width



Excluding front end attachment, additional counterweight, fuel, hydraulic oil and coolant etc.  
Including counterweight.

### ZX250LC

Shoe width	Weight	Overall width
600 mm	20 200 kg	3 190 mm
700 mm	20 500 kg	3 290 mm
800 mm	20 800 kg	3 390 mm
900 mm	21 300 kg	3 490 mm

### ZX250LCN

Shoe width	Weight	Overall width
600 mm	20 100 kg	2 990 mm
700 mm	20 400 kg	3 090 mm
800 mm	20 700 kg	3 190 mm
900 mm	21 200 kg	3 290 mm

## BUCKET SPECIFICATIONS AND COMPATIBILITY

### ZX250LC / ZX250LCN

	Capacity ISO heaped	Width Without side cutters	Weight	Recommendation			
				ZX250LC		ZX250LCN	
				H15LD	H18LD	H15LD	H18LD
Backhoe	0.40 m <sup>3</sup>	720 mm	340 kg	◎	◎	◎	□
	0.45 m <sup>3</sup>	800 mm	370 kg	◎	○	◎	□
	0.50 m <sup>3</sup>	890 mm	390 kg	◎	□	◎	-
	0.59 m <sup>3</sup>	950 mm	410 kg	◎	□	◎	-
	0.66 m <sup>3</sup>	1 030 mm	430 kg	◎	-	◎	-
	0.75 m <sup>3</sup>	1 200 mm	450 kg	◎	-	○	-
Slope finishing	-	1 600 mm	430 kg	◇	◇	◇	◇
Max. weight				1 870 kg	1 080 kg	1 620 kg	900 kg

◎ Suitable for materials with density of 1 800 kg/m<sup>3</sup> or less

○ Suitable for materials with density of 1 600 kg/m<sup>3</sup> or less

□ Suitable for materials with density of 1 100 kg/m<sup>3</sup> or less

◇ Slope-finishing service

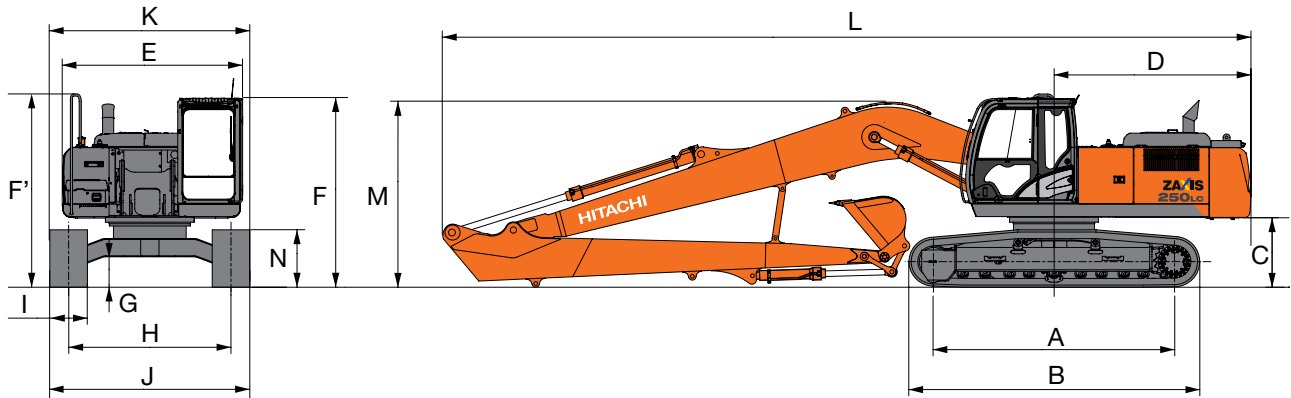
- Not applicable

• Use the bucket in the range where the total weight of bucket and loading material does not exceed maximum weight described above.

# SPECIFICATIONS

## ZX250LC / ZX250LCN TYPE H15LD

### DIMENSIONS

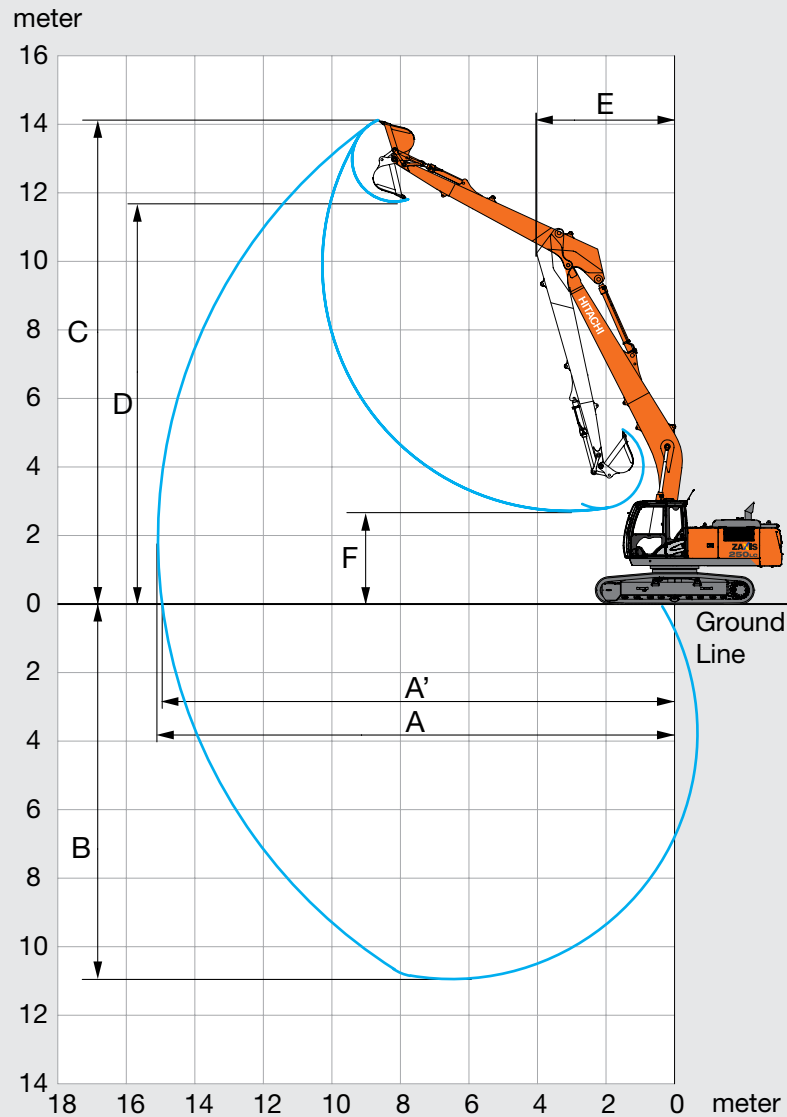


Unit: mm

	ZX250LC TYPE H15LD	ZX250LCN TYPE H15LD	
A	Distance between tumblers	3 850	3 850
B	Undercarriage length	4 640	4 640
*C	Counterweight clearance	1 060	1 060
D	Rear-end swing radius	3 140	3 140
E	Overall width of upperstructure	2 870	2 870
F	Overall height of cab	3 010	3 010
F'	Overall height of handrail	3 080	3 080
*G	Min. ground clearance	460	460
H	Track gauge	2 590	2 390
I	Track shoe width	600 / 700 / 800 / 900	600 / 700 / 800 / 900
J	Undercarriage width	3 190 / 3 290 / 3 390 / 3 490	2 990 / 3 090 / 3 190 / 3 290
K	Overall width	3 190 / 3 290 / 3 390 / 3 490	2 990 / 3 090 / 3 190 / 3 290
L	Overall length	12 890	12 890
M	Overall height of boom	3 080	3 080
N	Track height with triple grouser shoes	920	920

\* : Excluding track shoe lug

## WORKING RANGES



Unit: mm

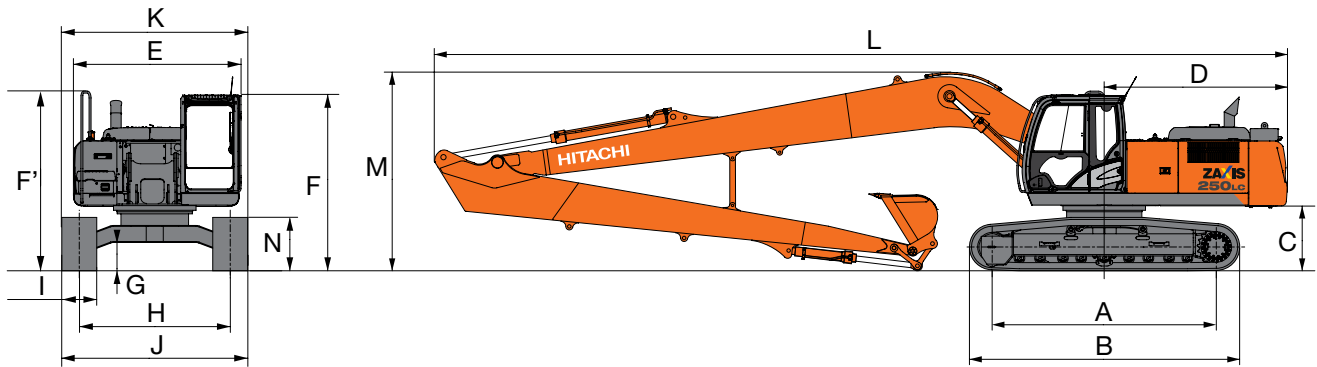
	ZX250LC / ZX250LCN TYPE H15LD
A Max. digging reach	15 060
A' Max. digging reach (on ground)	14 940
B Max. digging depth	10 960
C Max. cutting height	14 070
D Max. dumping height	11 710
E Min. swing radius	4 030
F Min. dumping height	2 690
Bucket digging force ISO	84 kN (8 590 kgf)
Bucket digging force SAE:PCSA	73 kN (7 520 kgf)
Arm crowd force ISO	64 kN (6 530 kgf)
Arm crowd force SAE:PCSA	63 kN (6 430 kgf)

- Excluding track shoe lug

# SPECIFICATIONS

## ZX250LC / ZX250LCN TYPE H18LD

### DIMENSIONS

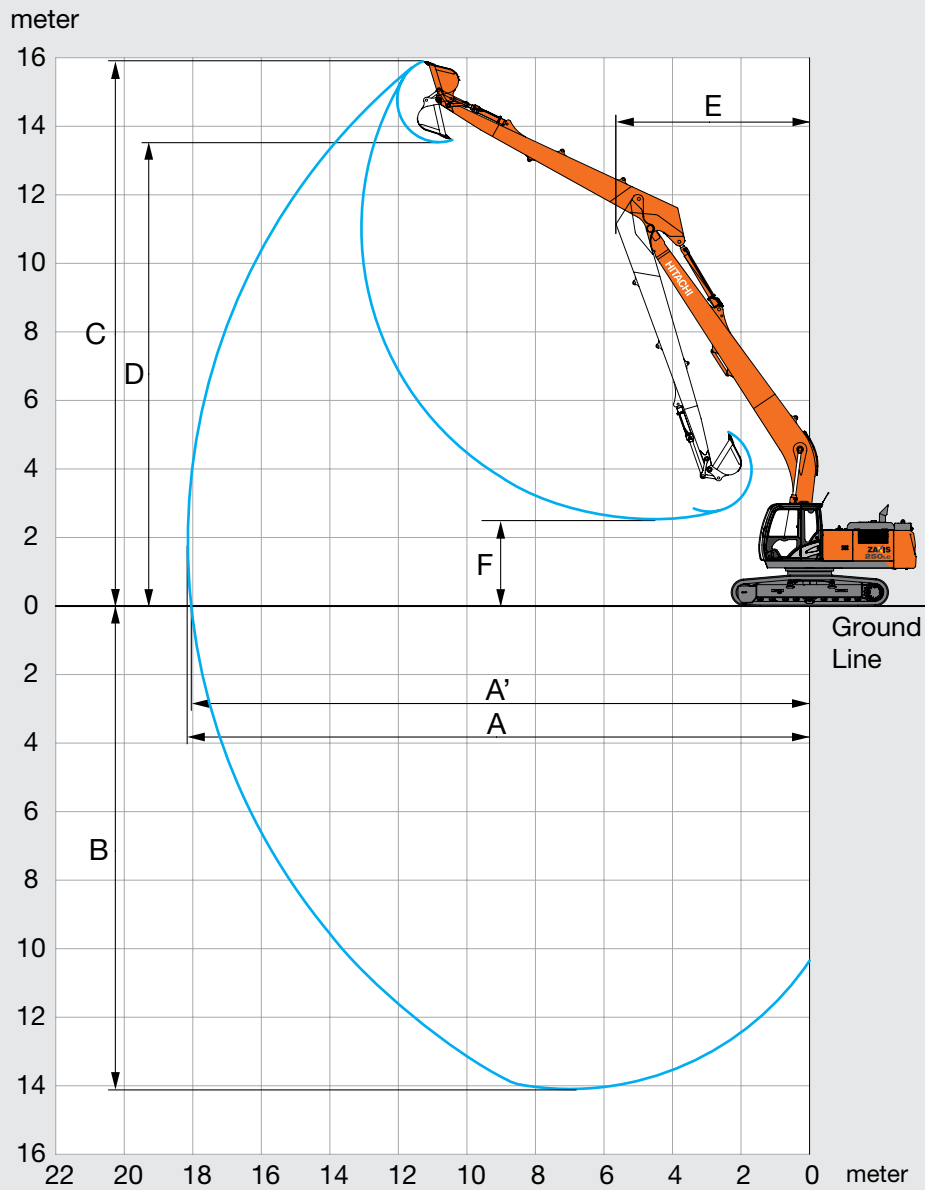


Unit: mm

	ZX250LC TYPE H18LD	ZX250LCN TYPE H18LD
A Distance between tumbler	3 850	3 850
B Undercarriage length	4 640	4 640
*C Counterweight clearance	1 060	1 060
D Rear-end swing radius	3 140	3 140
E Overall width of upperstructure	2 870	2 870
F Overall height of cab	3 010	3 010
F' Overall height of handrail	3 080	3 080
*G Min. ground clearance	460	460
H Track gauge	2 590	2 390
I Track shoe width	600 / 700 / 800 / 900	600 / 700 / 800 / 900
J Undercarriage width	3 190 / 3 290 / 3 390 / 3 490	2 990 / 3 090 / 3 190 / 3 290
K Overall width	3 190 / 3 290 / 3 390 / 3 490	2 990 / 3 090 / 3 190 / 3 290
L Overall length	14 630	14 630
M Overall height of boom	3 410	3 410
N Track height with triple grouser shoes	920	920

•\*: Excluding track shoe lug

## WORKING RANGES



Unit: mm

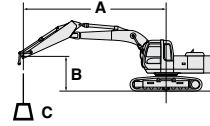
	ZX250LC / ZX250LCN TYPE H18LD
A Max. digging reach	18 240
A' Max. digging reach (on ground)	18 140
B Max. digging depth	14 190
C Max. cutting height	15 970
D Max. dumping height	13 670
E Min. swing radius	5 690
F Min. dumping height	2 540
Bucket digging force ISO	84 kN (8 590 kgf)
Bucket digging force SAE:PCSA	73 kN (7 520 kgf)
Arm crowd force ISO	51 kN (5 250 kgf)
Arm crowd force SAE:PCSA	50 kN (5 180 kgf)

• Excluding track shoe lug

# LIFTING CAPACITIES

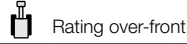
## Metric measure

- Notes: 1. Ratings are based on ISO 10567.  
 2. Lifting capacity of the ZAXIS series does not exceed 75% of tipping load with the machine on firm, level ground or 87% full hydraulic capacity.  
 3. The load point is the center-line of the bucket pivot mounting pin on the arm.  
 4. \* Indicates load limited by hydraulic capacity.  
 5. 0m = Ground.  
 For lifting capacities, subtract bucket and quick hitch weight from lifting capacities.



A: Load radius  
 B: Load point height  
 C: Lifting capacity

### ZX250LC TYPE H15LD SUPER LONG FRONT

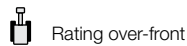


Unit: kg

Conditions	Load point height m	Load radius m									
		3.0		4.5		6.0		7.5		9.0	
Monoblock boom 8.50 m Arm 5.93 m Counterweight 6 600 kg Shoe 600 mm	10.5										
	9.0									*3 120	*3 120
	7.5									*3 270	*3 270
	6.0									*3 540	*3 540
	4.5									*3 920	*3 920
	3.0	*3 700	*3 700	*8 330	*8 330	*6 150	*6 150	*5 020	*5 020	*4 340	3 970
	1.5			*7 130	*7 130	*7 240	6 490	*5 690	4 810	*4 770	3 740
	0 (Ground)	*2 060	*2 060	*5 270	*5 270	*8 050	6 010	*6 240	4 500	*5 150	3 530
	-1.5	*3 100	*3 100	*5 540	*5 540	*8 520	5 720	*6 620	4 280	5 180	3 380
	-3.0	*4 280	*4 280	*6 510	*6 510	*8 650	5 600	6 530	4 160	5 080	3 280
	-4.5	*5 630	*5 630	*7 940	*7 940	*8 490	5 580	6 480	4 120	5 040	3 250
	-6.0	*7 200	*7 200	*9 870	8 650	*8 040	5 650	*6 440	4 160	5 070	3 270
	-7.5	*9 140	*9 140	*9 220	8 910	*7 220	5 810	*5 820	4 270	*4 730	3 370
-9.0			*7 390	*7 390	*5 870	*5 870	*4 670	4 490			

Conditions	Load point height m	Load radius m						At max. reach		
		10.5		12.0		13.5				meter
Monoblock boom 8.50 m Arm 5.93 m Counterweight 6 600 kg Shoe 600 mm	10.5	*3 220	*3 220					*3 250	*3 250	10.8
	9.0	*3 150	*3 150					*3 220	2 830	11.8
	7.5	*3 220	*3 220	*3 200	2 750			*3 220	2 490	12.6
	6.0	*3 380	*3 380	*3 280	2 710			*3 240	2 250	13.2
	4.5	*3 620	3 290	*3 420	2 630	3 160	2 110	3 120	2 090	13.6
	3.0	*3 900	3 140	*3 590	2 530	3 100	2 060	3 000	1 980	13.8
	1.5	*4 180	2 990	3 650	2 430	3 050	2 010	2 930	1 930	13.8
	0 (Ground)	4 300	2 850	3 560	2 350	2 990	1 960	2 930	1 910	13.7
	-1.5	4 190	2 740	3 490	2 280			2 990	1 950	13.4
	-3.0	4 120	2 680	3 450	2 240			3 130	2 040	12.9
	-4.5	4 100	2 660	3 450	2 250			3 370	2 200	12.3
	-6.0	4 140	2 700					3 770	2 470	11.3
	-7.5							*3 970	2 940	10.1
-9.0							*3 940	3 890	8.40	

### ZX250LCN TYPE H15LD SUPER LONG FRONT



Unit: kg

Conditions	Load point height m	Load radius m									
		3.0		4.5		6.0		7.5		9.0	
Monoblock boom 8.50 m Arm 5.93 m Counterweight 6 600 kg Shoe 600 mm	10.5										
	9.0									*3 120	*3 120
	7.5									*3 270	*3 270
	6.0									*3 540	*3 540
	4.5									*3 920	3 900
	3.0	*3 700	*3 700	*8 330	*8 330	*6 150	*6 150	*5 020	4 790	*4 340	3 670
	1.5			*7 130	*7 130	*7 240	5 930	*5 690	4 410	*4 770	3 430
	0 (Ground)	*2 060	*2 060	*5 270	*5 270	*8 050	5 460	*6 240	4 110	*5 150	3 230
	-1.5	*3 100	*3 100	*5 540	*5 540	*8 520	5 180	*6 620	3 900	5 160	3 080
	-3.0	*4 280	*4 280	*6 510	*6 510	*8 650	5 060	6 500	3 780	5 060	2 980
	-4.5	*5 630	*5 630	*7 940	7 610	*8 490	5 040	6 460	3 740	5 020	2 950
	-6.0	*7 200	*7 200	*9 870	7 770	*8 040	5 110	*6 440	3 770	5 050	2 970
	-7.5	*9 140	*9 140	*9 220	8 020	*7 220	5 270	*5 820	3 890	*4 730	3 070
-9.0			*7 390	*7 390	*5 870	5 530	*4 670	4 100			

Conditions	Load point height m	Load radius m						At max. reach		
		10.5		12.0		13.5				meter
Monoblock boom 8.50 m Arm 5.93 m Counterweight 6 600 kg Shoe 600 mm	10.5	*3 220	*3 220					*3 250	3 130	10.8
	9.0	*3 150	*3 150					*3 220	2 620	11.8
	7.5	*3 220	*3 220	*3 200	2 540			*3 220	2 290	12.6
	6.0	*3 380	3 170	*3 280	2 500			*3 240	2 060	13.2
	4.5	*3 620	3 040	*3 420	2 420	3 150	1 930	3 110	1 910	13.6
	3.0	*3 900	2 890	*3 590	2 320	3 090	1 880	2 990	1 810	13.8
	1.5	*4 180	2 740	3 640	2 230	3 030	1 830	2 920	1 750	13.8
	0 (Ground)	4 290	2 600	3 540	2 140	2 980	1 780	2 920	1 740	13.7
	-1.5	4 180	2 500	3 470	2 070			2 980	1 770	13.4
	-3.0	4 110	2 430	3 430	2 040			3 120	1 850	12.9
	-4.5	4 090	2 410	3 440	2 040			3 360	1 990	12.3
	-6.0	4 130	2 450					3 760	2 250	11.3
	-7.5							*3 970	2 690	10.1
-9.0							*3 940	3 550	8.40	





# EQUIPMENT

## ZX250LC / ZX250LCN TYPE H15LD & H18LD

● ..... Standard equipment    ○ ..... Optional equipment

### ENGINE

Air cleaner double filters	●
Auto idle system	●
Auto shut-down control	●
Cartridge-type engine oil filter	●
Cartridge-type fuel pre-filter	●
Cartridge-type fuel main filter	●
Dust-proof indoor net	●
Dry-type air filter with evacuator valve (with air filter restriction indicator)	●
Electrical fuel feed pump	●
ECO/PWR mode control	●
Engine oil drain coupler	●
Engine warm-up device	●
Fan guard	●
Fuel cooler	●
Fuel recirculation filter	○
High performance water separator	●
Isolation-mounted engine	●
Muffler filter	●
Pre-cleaner	○
Radiator, oil cooler and intercooler	●
Radiator reserve tank	●
50 A alternator	●

### HYDRAULIC SYSTEM

Auto power lift	●
Control valve with main relief valve	●
Front attachment selector	●
Full-flow filter	●
High mesh full flow filter with restriction indicator	○
Hose rupture valve	○
Pilot filter	●
Power boost	●
Suction filter	●
Swing dampener valve	●
Two extra port for control valve	●
Variable reliefvalve for two extra port	●
Work mode selector	●

### CAB

AFL lever (Assist)	○
All-weather sound suppressed steel cab	●
AM-FM radio	●
Ashtray	●
Auto control air conditioner	●
AUX. terminal and storage	●
CRES V (Center pillar reinforced structure) cab	●
Drink holder with hot & cool function	●
Electric double horn	●
Engine shut-off switch	●
Equipped with reinforced, tinted (green color) glass windows	●
Evacuation hammer	●
Fire extinguisher bracket	○
Floor mat	●
Footrest	●
Front window washer	●
Glove compartment	●
Hot & cool box	●
Intermittent windshield wipers	●
Key cylinder light	●
Laminated round glass window	○
LED room light with door courtesy	●
OPG front guard Level II (ISO10262) compliant cab	○
OPG top guard fitted Level II (ISO10262) compliant cab	○
Pilot control shut-off lever	●
Rain guard	○
Rear tray	●
Retractable seat belt	●
ROPS (ISO12117-2) compliant cab	●
Rubber radio antenna	●
Seat : air suspension seat with heater	●
Seat adjustment part : backrest, armrest, height and angle, slide forward / back	●
Short wrist control levers	●
Sun visor (front window/side window)	○
Transparent roof with slide curtain	●
Windows on front, upper, lower and left side can be opened	●
2 speaker	●
4 fluid-filled elastic mounts	●
12 V power outlet	○
24V cigarette lighter	●

### MONITOR SYSTEM

Attachment mode indicator	○
Alarm buzzers: overheat, engine oil pressure, overload	●
Alarms: overheat, engine warning, engine oil pressure, alternator, minimum fuel level, hydraulic filter restriction, air filter restriction, work mode, overload, etc	●
Display of meters: water temperature, hour, fuel rate, clock	●
Other displays: work mode, auto-idle, glow, rearview monitor, operating conditions, etc	●
32 languages selection	●

### LIGHTS

Additional cab roof front lights	○
Additional cab roof rear lights	○
Additional boom light with cover	○
Rotating lamp	○
2 working lights	●

### UPPER STRUCTURE

Electric fuel refilling pump with auto stop and filter	●
Fuel level float	●
Hydraulic oil level gauge	●
Rear view camera	●
Rear view mirror (right & left side)	●
Swing parking brake	●
Tool box	●
Undercover	●
Utility space	●
6 200 kg counterweight	●
400 kg additional counterweight for Type H15LD	●
800 kg additional counterweight for Type H18LD	●
2 x 126 Ah batteries	●

### UNDERCARRIAGE

Bolt-on sprocket	●
Reinforced track links with pin seals	●
Travel motor covers	●
Travel parking brake	●
Track undercover	○
Upper and lower rollers	●
1 track guard (each side) and hydraulic track adjuster	●
2 track guards	○
4 tie down hooks	●
600 mm triple grouser shoes	●

### FRONT ATTACHMENTS

Casted bucket link A	●
Centralized lubrication system	●
Dirt seal on all bucket pins	●
Flanged pin	●
HN bushing	●
Reinforced resin thrust plate	●
WC (tungsten-carbide) thermal spraying	●
Welded bucket link A	○

### ATTACHMENTS

Additional pump (30 L/min)	○
Assist piping	○

### MISCELLANEOUS

Global e-Service	●
Lockable fuel refilling cap	●
Lockable machine covers	●
Onboard information controller	●
Skid-resistant tapes, plates and handrails	●
Standard tool kit	●
Travel direction mark on track frame	●
Theft prevention system*	○

Standard and optional equipment may vary by country, so please consult your Hitachi dealer for details.

\* Hitachi Construction Machinery cannot be held liable for theft, any system will just minimize the risk of theft.



**MEMO**

Lined writing area consisting of 30 horizontal lines spaced evenly down the page.

# SPECIFICATIONS

## ZX290LC / ZX290LCN TYPE H18LD SUPER LONG FRONT

### ENGINE

Model .....	Isuzu AL-4HK1X
Type .....	4-cycle water-cooled, common rail direct injection
Aspiration .....	Variable geometry turbocharged, intercooled, cooled EGR
Aftertreatment .....	Muffler filter
No. of cylinders .....	4
Rated power	
ISO 9249, net .....	140 kW (188 HP) at 2 100 min <sup>-1</sup> (rpm)
EEC 80/1269, net.....	140 kW (188 HP) at 2 100 min <sup>-1</sup> (rpm)
SAE J1349, net .....	140 kW (188 HP) at 2 100 min <sup>-1</sup> (rpm)
Maximum torque .....	652 Nm (66.5 kgfm) at 1 800 min <sup>-1</sup> (rpm)
Piston displacement ...	5.193 L
Bore and stroke .....	115 mm x 125 mm
Batteries .....	2 x 12 V / 126 Ah

### HYDRAULIC SYSTEM

#### Hydraulic pumps

Main pumps .....	3 variable displacement axial piston pumps
Maximum oil flow ...	2 x 236 L/min
	1 x 210 L/min
Pilot pump .....	1 gear pump
Maximum oil flow ...	37.3 L/min

#### Hydraulic Motors

Travel .....	2 variable displacement axial piston motors
Swing .....	1 axial piston motor

#### Relief Valve Settings

Implement circuit .....	34.3 MPa (350 kgf/cm <sup>2</sup> )
Swing circuit .....	27.9 MPa (285 kgf/cm <sup>2</sup> )
Travel circuit .....	34.3 MPa (350 kgf/cm <sup>2</sup> )
Pilot circuit .....	3.9 MPa (40 kgf/cm <sup>2</sup> )
Power boost .....	38.0 MPa (388 kgf/cm <sup>2</sup> )

#### Hydraulic Cylinders

	Quantity	Bore	Rod diameter
Boom	2	135 mm	95 mm
Arm	1	145 mm	105 mm
Bucket	1	95 mm	65 mm

### UPPERSTRUCTURE

#### Revolving Frame

D-section frame for resistance to deformation.

#### Swing Device

Axial piston motor with planetary reduction gear is bathed in oil. Swing circle is single-row. Swing parking brake is spring-set/hydraulic-released disc type.

Swing speed .....	10.3 min <sup>-1</sup> (rpm)
Swing torque .....	90.5 kNm (9 230 kgfm)

#### Operator's Cab

Independent spacious cab, 1 005 mm wide by 1 675 mm high, conforming to ISO\* Standards.

\* International Organization for Standardization

### UNDERCARRIAGE

#### Tracks

Heat-treated connecting pins with dirt seals. Hydraulic (grease) track adjusters with shock-absorbing recoil springs.

#### Numbers of Rollers and Shoes on Each Side

Upper rollers .....	2
Lower rollers .....	8
Track shoes .....	48
Track guard .....	1

#### Travel Device

Each track driven by 2-speed axial piston motor. Parking brake is spring-set/hydraulic-released disc type. Automatic transmission system: High-Low.

Travel speeds .....	High : 0 to 5.2 km/h
	Low : 0 to 3.1 km/h

Maximum traction force .....	246 kN (25 100 kgf)
------------------------------	---------------------

Gradeability .....	70% (35 degree) continuous
--------------------	----------------------------

### SOUND LEVEL

Sound level in cab according to ISO 6396 .....	LpA 70 dB(A)
External sound level according to ISO 6395 and EU Directive 2000/14/EC .....	LwA 103 dB(A)

### SERVICE REFILL CAPACITIES

Fuel tank .....	510.0 L
Engine coolant .....	26.0 L
Engine oil .....	27.0 L
Swing device .....	11.7 L
Travel device (each side) .....	9.2 L
Hydraulic system .....	290.0 L
Hydraulic oil tank .....	156.0 L

## WEIGHTS AND GROUND PRESSURE

### ZX290LC TYPE H18LD SUPER LONG FRONT:

Equipped with 10.23 m monoblock boom, 7.28 m arm and 0.50 m<sup>3</sup> bucket (SAE,PCSA heaped), 6 980 kg counterweight.

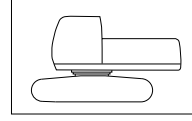
Shoe type	Shoe width	Operating weight	Ground pressure
Triple grouser	600 mm	30 000 kg	56 kPa (0.57 kgf/cm <sup>2</sup> )
	700 mm	30 400 kg	49 kPa (0.50 kgf/cm <sup>2</sup> )
	800 mm	30 800 kg	43 kPa (0.44 kgf/cm <sup>2</sup> )
	900 mm	31 200 kg	39 kPa (0.40 kgf/cm <sup>2</sup> )

### ZX290LCN TYPE H18LD SUPER LONG FRONT:

Equipped with 10.23 m monoblock boom, 7.28 m arm and 0.50 m<sup>3</sup> bucket (SAE,PCSA heaped), 6 980 kg counterweight.

Shoe type	Shoe width	Operating weight	Ground pressure
Triple grouser	600 mm	29 900 kg	56 kPa (0.57 kgf/cm <sup>2</sup> )
	700 mm	30 300 kg	49 kPa (0.50 kgf/cm <sup>2</sup> )
	800 mm	30 700 kg	43 kPa (0.44 kgf/cm <sup>2</sup> )
	900 mm	31 100 kg	39 kPa (0.40 kgf/cm <sup>2</sup> )

## Basic Machine Weight and Overall width



Excluding front end attachment, additional counterweight, fuel, hydraulic oil and coolant etc.

Including counterweight.

### ZX290LC

Shoe width	Weight	Overall width
600 mm	23 300 kg	3 190 mm
700 mm	23 700 kg	3 290 mm
800 mm	24 100 kg	3 390 mm
900 mm	24 500 kg	3 490 mm

### ZX290LCN

Shoe width	Weight	Overall width
600 mm	23 200 kg	2 990 mm
700 mm	23 600 kg	3 090 mm
800 mm	24 000 kg	3 190 mm
900 mm	24 400 kg	3 290 mm

## BUCKET SPECIFICATIONS AND COMPATIBILITY

### ZX290LC / ZX290LCN

	Capacity ISO heaped	Width Without side cutters	Weight	Recommendation	
				ZX290LC	ZX290LCN
				H18LD	H18LD
Backhoe	0.40 m <sup>3</sup>	720 mm	340 kg	◎	◎
	0.45 m <sup>3</sup>	800 mm	370 kg	◎	○
	0.50 m <sup>3</sup>	890 mm	390 kg	◎	□
	0.59 m <sup>3</sup>	950 mm	410 kg	□	□
	0.66 m <sup>3</sup>	1 030 mm	430 kg	□	□
	0.75 m <sup>3</sup>	1 200 mm	450 kg	□	-
Slope finishing	-	1 600 mm	430 kg	◇	◇
Max. weight				1 270 kg	1 080 kg

◎ Suitable for materials with density of 1 800 kg/m<sup>3</sup> or less

○ Suitable for materials with density of 1 600 kg/m<sup>3</sup> or less

□ Suitable for materials with density of 1 100 kg/m<sup>3</sup> or less

◇ Slope-finishing service

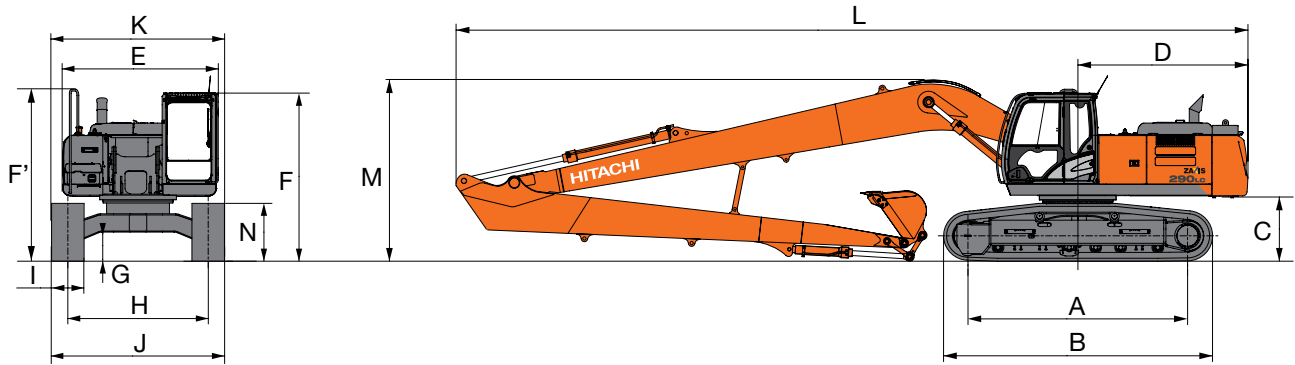
- Not applicable

- Use the bucket in the range where the total weight of bucket and loading material does not exceed maximum weight described above.

# SPECIFICATIONS

## ZX290LC / ZX290LCN TYPE H18LD

### DIMENSIONS

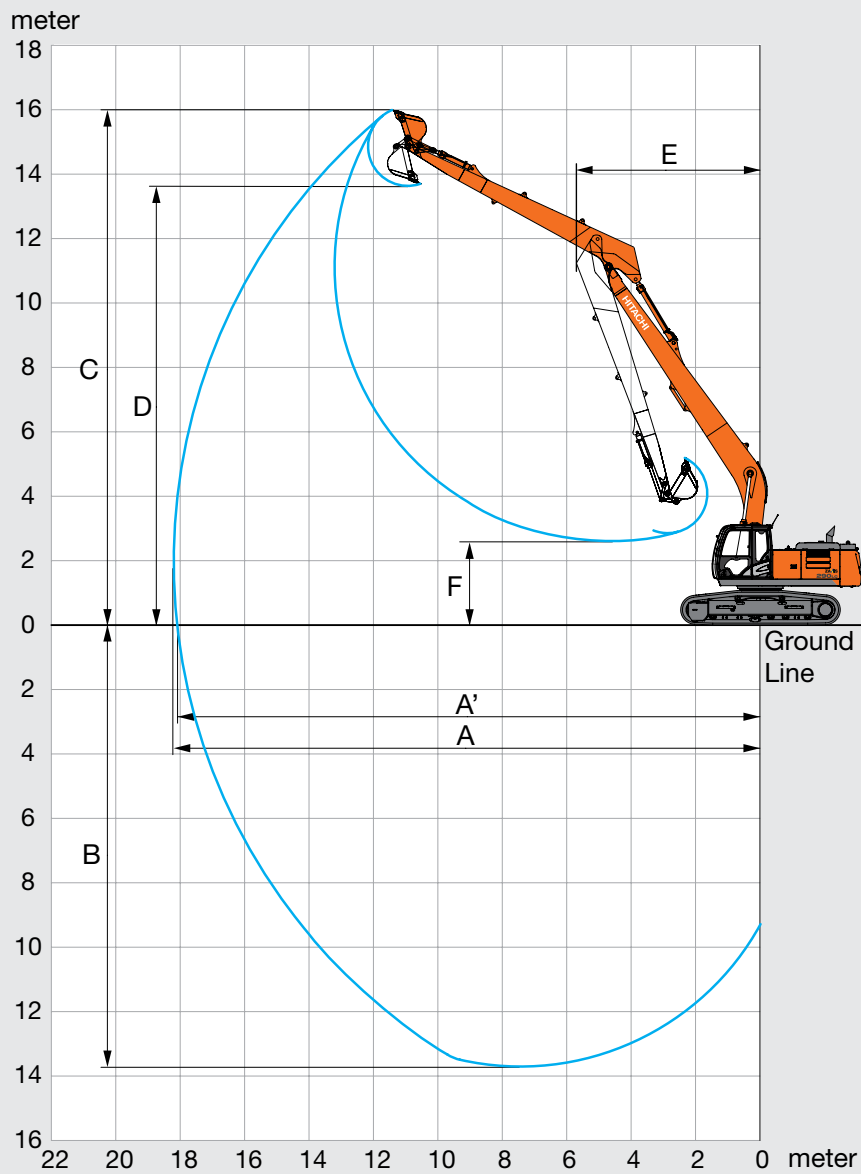


Unit: mm

	ZX290LC TYPE H18LD	ZX290LCN TYPE H18LD
A Distance between tumblers	4 050	4 050
B Undercarriage length	4 940	4 940
*C Counterweight clearance	1 150	1 150
D Rear-end swing radius	3 140	3 140
E Overall width of upperstructure	2 870	2 870
F Overall height of cab	3 110	3 110
F' Overall height of handrail	3 180	3 180
*G Min. ground clearance	510	510
H Track gauge	2 590	2 390
I Track shoe width	600 / 700 / 800 / 900	600 / 700 / 800 / 900
J Undercarriage width	3 190 / 3 290 / 3 390 / 3 490	2 990 / 3 090 / 3 190 / 3 290
K Overall width	3 190 / 3 290 / 3 390 / 3 490	2 990 / 3 090 / 3 190 / 3 290
L Overall length	14 610	14 610
M Overall height of boom	3 360	3 360
N Track height with triple grouser shoes	1 070	1 070

•\* : Excluding track shoe lug

## WORKING RANGES



Unit: mm

	ZX290LC / ZX290LCN TYPE H18LD
A Max. digging reach	18 240
A' Max. digging reach (on ground)	18 130
B Max. digging depth	13 730
C Max. cutting height	16 020
D Max. dumping height	13 710
E Min. swing radius	6 170
F Min. dumping height	2 210
Bucket digging force ISO	84 kN (8 590 kgf)
Bucket digging force SAE:PCSA	73 kN (7 520 kgf)
Arm crowd force ISO	51 kN (5 250 kgf)
Arm crowd force SAE:PCSA	50 kN (5 180 kgf)

• Excluding track shoe lug





# EQUIPMENT

## ZX290LC / ZX290LCN TYPE H18LD

● ..... Standard equipment    ○ ..... Optional equipment

### ENGINE

Air cleaner double filters	●
Auto idle system	●
Auto shut-down control	●
Cartridge-type engine oil filter	●
Cartridge-type fuel pre-filter	●
Cartridge-type fuel main filter	●
Dust-proof indoor net	●
Dry-type air filter with evacuator valve (with air filter restriction indicator)	●
Electrical fuel feed pump	●
ECO/PWR mode control	●
Engine oil drain coupler	●
Engine warm-up device	●
Fan guard	●
Fuel cooler	●
Fuel recirculation filter	○
High performance water separator	●
Isolation-mounted engine	●
Muffler filter	●
Pre-cleaner	○
Radiator, oil cooler and intercooler	●
Radiator reserve tank	●
50 A alternator	●

### HYDRAULIC SYSTEM

Auto power lift	●
Control valve with main relief valve	●
Front attachment selector	●
Full-flow filter	●
High mesh full flow filter with restriction indicator	○
Hose rupture valve	○
Pilot filter	●
Power boost	●
Suction filter	●
Swing dampener valve	●
Two extra port for control valve	●
Variable reliefvalve for two extra port	●
Work mode selector	●

### CAB

AFL lever (Assist)	○
All-weather sound suppressed steel cab	●
AM-FM radio	●
Ashtray	●
Auto control air conditioner	●
AUX. terminal and storage	●
CRES V (Center pillar reinforced structure) cab	●
Drink holder with hot & cool function	●
Electric double horn	●
Engine shut-off switch	●
Equipped with reinforced, tinted (green color) glass windows	●
Evacuation hammer	●
Fire extinguisher bracket	○
Floor mat	●
Footrest	●
Front window washer	●
Glove compartment	●
Hot & cool box	●
Intermittent windshield wipers	●
Key cylinder light	●
Laminated round glass window	○
LED room light with door courtesy	●
OPG front guard Level II (ISO10262) compliant cab	○
OPG top guard fitted Level II (ISO10262) compliant cab	○
Pilot control shut-off lever	●
Rain guard	○
Rear tray	●
Retractable seat belt	●
ROPS (ISO12117-2) compliant cab	●
Rubber radio antenna	●
Seat : air suspension seat with heater	●
Seat adjustment part : backrest, armrest, height and angle, slide forward / back	●
Short wrist control levers	●
Sun visor (front window/side window)	○
Transparent roof with slide curtain	●
Windows on front, upper, lower and left side can be opened	●
2 speaker	●
4 fluid-filled elastic mounts	●
12 V power outlet	○
24V cigarette lighter	●

### MONITOR SYSTEM

Attachment mode indicator	○
Alarm buzzers: overheat, engine oil pressure, overload	●
Alarms: overheat, engine warning, engine oil pressure, alternator, minimum fuel level, hydraulic filter restriction, air filter restriction, work mode, overload, etc	●
Display of meters: water temperature, hour, fuel rate, clock	●
Other displays: work mode, auto-idle, glow, rearview monitor, operating conditions, etc	●
32 languages selection	●

### LIGHTS

Additional cab roof front lights	○
Additional cab roof rear lights	○
Additional boom light with cover	○
Rotating lamp	○
2 working lights	●

### UPPER STRUCTURE

Electric fuel refilling pump with auto stop and filter	●
Fuel level float	●
Hydraulic oil level gauge	●
Rear view camera	●
Rear view mirror (right & left side)	●
Swing parking brake	●
Tool box	●
Undercover	●
Utility space	●
6 200 kg counterweight	●
800 kg additional counterweight	●
2 x 126 Ah batteries	●

### UNDERCARRIAGE

Bolt-on sprocket	●
Reinforced track links with pin seals	●
Travel motor covers	●
Travel parking brake	●
Track undercover	○
Upper and lower rollers	●
1 track guard (each side) and hydraulic track adjuster	●
3 track guards	○
4 tie down hooks	●
600 mm triple grouser shoes	●

### FRONT ATTACHMENTS

Casted bucket link A	●
Centralized lubrication system	●
Dirt seal on all bucket pins	●
Flanged pin	●
HN bushing	●
Reinforced resin thrust plate	●
WC (tungsten-carbide) thermal spraying	●
Welded bucket link A	○

### ATTACHMENTS

Additional pump (30 L/min)	○
Assist piping	○

### MISCELLANEOUS

Global e-Service	●
Lockable fuel refilling cap	●
Lockable machine covers	●
Onboard information controller	●
Skid-resistant tapes, plates and handrails	●
Standard tool kit	●
Travel direction mark on track frame	●
Theft prevention system*	○

Standard and optional equipment may vary by country, so please consult your Hitachi dealer for details.

\* Hitachi Construction Machinery cannot be held liable for theft, any system will just minimize the risk of theft.

# SPECIFICATIONS

## ZX350LC / ZX350LCN TYPE H18LD & H20LD SUPER LONG FRONT

### ENGINE

Model .....	Isuzu AL-6HK1X
Type .....	4-cycle water-cooled, common rail direct injection
Aspiration .....	Variable geometry turbocharged, intercooled, cooled EGR
Aftertreatment .....	Muffler filter
No. of cylinders .....	6
Rated power	
ISO 9249, net .....	202 kW (271 HP) at 1 900 min <sup>-1</sup> (rpm)
EEC 80/1269, net.....	202 kW (271 HP) at 1 900 min <sup>-1</sup> (rpm)
SAE J1349, net .....	202 kW (271 HP) at 1 900 min <sup>-1</sup> (rpm)
Maximum torque .....	1 080 Nm (110 kgfm) at 1 500 min <sup>-1</sup> (rpm)
Piston displacement ...	7.790 L
Bore and stroke .....	115 mm x 125 mm
Batteries .....	2 x 12 V / 135 Ah

### HYDRAULIC SYSTEM

#### Hydraulic pumps

Main pumps .....	3 variable displacement axial piston pumps
Maximum oil flow ...	2 x 288 L/min
	1 x 260 L/min
Pilot pump .....	1 gear pump
Maximum oil flow ...	36.4 L/min

#### Hydraulic Motors

Travel .....	2 variable displacement axial piston motors
Swing .....	1 swash plate piston motor

#### Relief Valve Settings

Implement circuit .....	34.3 MPa (350 kgf/cm <sup>2</sup> )
Swing circuit .....	26.9 MPa (275 kgf/cm <sup>2</sup> )
Travel circuit .....	34.3 MPa (350 kgf/cm <sup>2</sup> )
Pilot circuit .....	3.9 MPa (40 kgf/cm <sup>2</sup> )
Power boost .....	38.0 MPa (388 kgf/cm <sup>2</sup> )

#### Hydraulic Cylinders

#### ZX350LC / ZX350LCN TYPE H18LD SUPER LONG FRONT

	Quantity	Bore	Rod diameter
Boom	2	145 mm	100 mm
Arm	1	170 mm	115 mm
Bucket	1	105 mm	75 mm

#### ZX350LC / ZX350LCN TYPE H20LD SUPER LONG FRONT

	Quantity	Bore	Rod diameter
Boom	2	145 mm	100 mm
Arm	1	170 mm	115 mm
Bucket	1	105 mm	75 mm

### UPPERSTRUCTURE

#### Revolving Frame

D-section frame for resistance to deformation.

#### Swing Device

Axial piston motor with planetary reduction gear is bathed in oil. Swing circle is single-row. Swing parking brake is spring-set/hydraulic-released disc type.

Swing speed .....	9.7 min <sup>-1</sup> (rpm)
Swing torque .....	115.4 kNm (11 780 kgfm)

#### Operator's Cab

Independent spacious cab, 1 005 mm wide by 1 675 mm high, conforming to ISO\* Standards.

\* International Organization for Standardization

### UNDERCARRIAGE

#### Tracks

Heat-treated connecting pins with dirt seals. Hydraulic (grease) track adjusters with shock-absorbing recoil springs.

#### Numbers of Rollers and Shoes on Each Side

Upper rollers .....	2
Lower rollers .....	8
Track shoes .....	48
Track guards .....	3

#### Travel Device

Each track driven by 2-speed axial piston motor. Parking brake is spring-set/hydraulic-released disc type. Automatic transmission system: High-Low.

Travel speeds .....	High : 0 to 5.0 km/h
	Low : 0 to 3.2 km/h

Maximum traction force .....	298 kN (30 400 kgf)
------------------------------	---------------------

Gradeability .....	70% (35 degree) continuous
--------------------	----------------------------

### SOUND LEVEL

Sound level in cab according to ISO 6396 .....	LpA 70 dB(A)
External sound level according to ISO 6395 and EU Directive 2000/14/EC .....	LwA 104 dB(A)

### SERVICE REFILL CAPACITIES

Fuel tank .....	630.0 L
Engine coolant .....	40.0 L
Engine oil .....	48.0 L
Swing device .....	15.7 L
Travel device (each side) .....	9.2 L
Hydraulic system .....	340.0 L
Hydraulic oil tank .....	180.0 L

## WEIGHTS AND GROUND PRESSURE

### ZX350LC TYPE H18LD SUPER LONG FRONT:

Equipped with 10.45 m monoblock boom, 7.02 m arm and 0.60 m<sup>3</sup> bucket (SAE,PCSA heaped), 8 800 kg counterweight.

Shoe type	Shoe width	Operating weight	Ground pressure
Triple grouser	600 mm	35 400 kg	66 kPa (0.67 kgf/cm <sup>2</sup> )
	700 mm	35 800 kg	57 kPa (0.58 kgf/cm <sup>2</sup> )
	800 mm	36 100 kg	51 kPa (0.52 kgf/cm <sup>2</sup> )
	900 mm	36 500 kg	46 kPa (0.47 kgf/cm <sup>2</sup> )

### ZX350LCN TYPE H18LD SUPER LONG FRONT:

Equipped with 10.45 m monoblock boom, 7.02 m arm and 0.60 m<sup>3</sup> bucket (SAE,PCSA heaped), 8 800 kg counterweight.

Shoe type	Shoe width	Operating weight	Ground pressure
Triple grouser	600 mm	35 300 kg	66 kPa (0.67 kgf/cm <sup>2</sup> )
	700 mm	35 700 kg	57 kPa (0.58 kgf/cm <sup>2</sup> )
	800 mm	36 000 kg	51 kPa (0.52 kgf/cm <sup>2</sup> )

### ZX350LC TYPE H20LD SUPER LONG FRONT:

Equipped with 11.80 m monoblock boom, 8.20 m arm and 0.52 m<sup>3</sup> bucket (SAE,PCSA heaped), 9 400 kg counterweight.

Shoe type	Shoe width	Operating weight	Ground pressure
Triple grouser	600 mm	36 100 kg	68 kPa (0.69 kgf/cm <sup>2</sup> )
	700 mm	36 500 kg	58 kPa (0.59 kgf/cm <sup>2</sup> )
	800 mm	36 900 kg	52 kPa (0.53 kgf/cm <sup>2</sup> )
	900 mm	37 300 kg	46 kPa (0.47 kgf/cm <sup>2</sup> )

### ZX350LCN TYPE H20LD SUPER LONG FRONT:

Equipped with 11.80 m monoblock boom, 8.20 m arm and 0.52 m<sup>3</sup> bucket (SAE,PCSA heaped), 9 400 kg counterweight.

Shoe type	Shoe width	Operating weight	Ground pressure
Triple grouser	600 mm	36 000 kg	67 kPa (0.68 kgf/cm <sup>2</sup> )
	700 mm	36 400 kg	58 kPa (0.59 kgf/cm <sup>2</sup> )
	800 mm	36 800 kg	52 kPa (0.53 kgf/cm <sup>2</sup> )

## BUCKET SPECIFICATIONS AND COMPATIBILITY

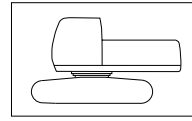
### ZX350LC / ZX350LCN

	Capacity ISO heaped	Width Without side cutters	Weight	Recommendation			
				ZX350LC		ZX350LCN	
				H18LD	H20LD	H18LD	H20LD
Backhoe	0.52 m <sup>3</sup>	790 mm	450 kg	◎	○	◎	□
	0.60 m <sup>3</sup>	925 mm	480 kg	◎	□	◎	□
	0.70 m <sup>3</sup>	1 005 mm	520 kg	○	□	○	-
	0.82 m <sup>3</sup>	1 140 mm	560 kg	○	□	□	-
Slope finishing	-	1 700 mm	520 kg	◇	◇	◇	◇
Max. weight				1 960 kg	1 360 kg	1 750 kg	1 150 kg

- ◎ Suitable for materials with density of 1 800 kg/m<sup>3</sup> or less
- Suitable for materials with density of 1 600 kg/m<sup>3</sup> or less
- Suitable for materials with density of 1 100 kg/m<sup>3</sup> or less
- ◇ Slope-finishing service
- Not applicable

- Use the bucket in the range where the total weight of bucket and loading material does not exceed maximum weight described above.

## Basic Machine Weight and Overall width



Excluding front end attachment, additional counterweight, fuel, hydraulic oil and coolant etc.

Including counterweight.

### ZX350LC

Shoe width	Weight	Overall width
600 mm	27 000 kg	3 190 mm
700 mm	27 400 kg	3 290 mm
800 mm	27 700 kg	3 390 mm
900 mm	28 100 kg	3 490 mm

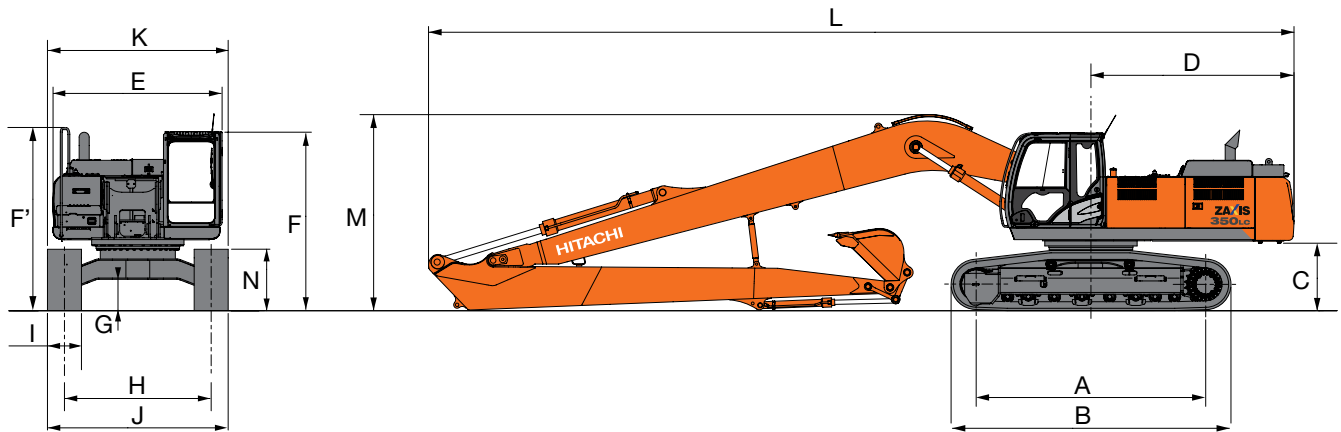
### ZX350LCN

Shoe width	Weight	Overall width
600 mm	26 900 kg	2 990 mm
700 mm	27 300 kg	3 090 mm
800 mm	27 600 kg	3 190 mm

# SPECIFICATIONS

## ZX350LC / ZX350LCN TYPE H18LD

### DIMENSIONS

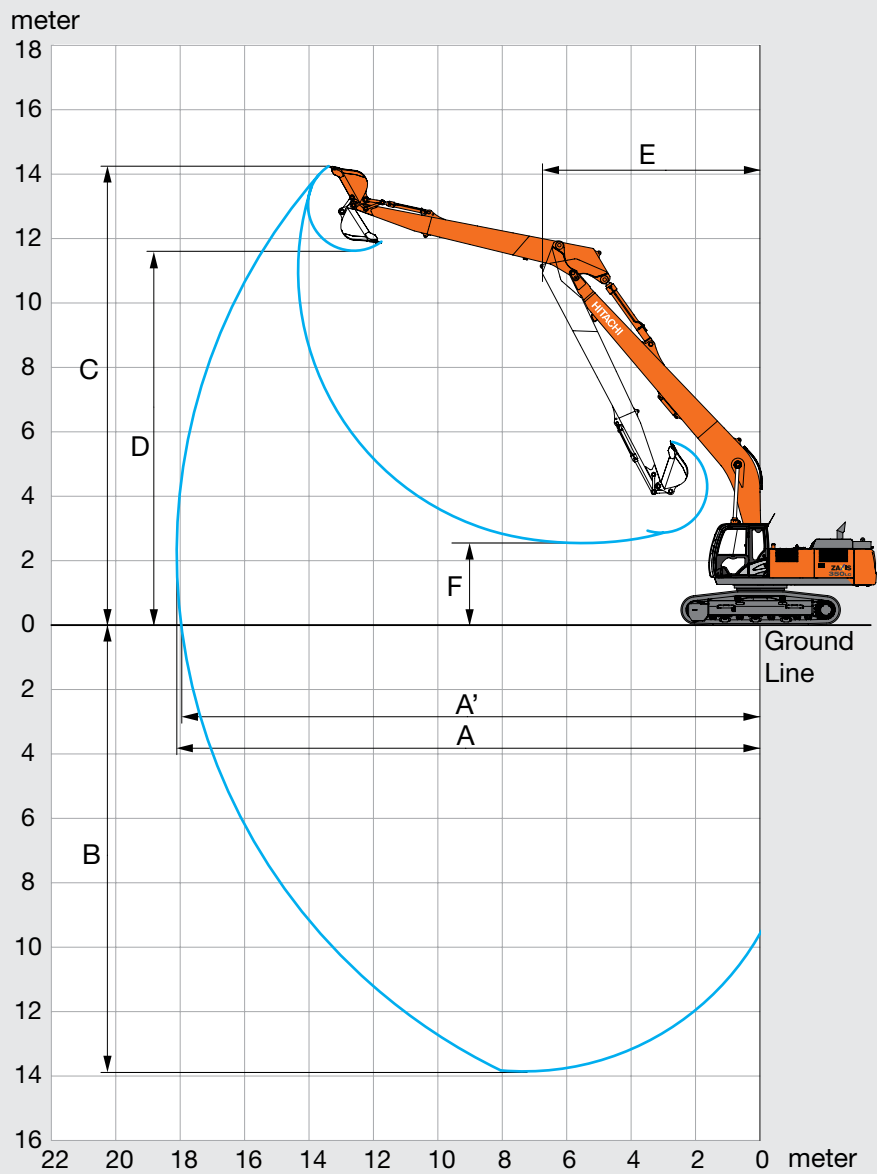


Unit: mm

	ZX350LC TYPE H18LD	ZX350LCN TYPE H18LD
A Distance between tumblers	4 050	4 050
B Undercarriage length	4 940	4 940
*C Counterweight clearance	1 180	1 180
D Rear-end swing radius	3 590	3 590
E Overall width of upperstructure	2 990	2 990
F Overall height of cab	3 150	3 150
F' Overall height of handrail	3 220	3 220
*G Min. ground clearance	500	500
H Track gauge	2 590	2 390
I Track shoe width	600 / 700 / 800 / 900	600 / 700 / 800
J Undercarriage width	3 190 / 3 290 / 3 390 / 3 490	2 990 / 3 090 / 3 190
K Overall width	3 190 / 3 290 / 3 390 / 3 490	2 990 / 3 090 / 3 190
L Overall length	15 280	15 280
M Overall height of boom	3 460	3 460
N Track height with triple grouser shoes	1 070	1 070

•\* : Excluding track shoe lug

## WORKING RANGES



Unit: mm

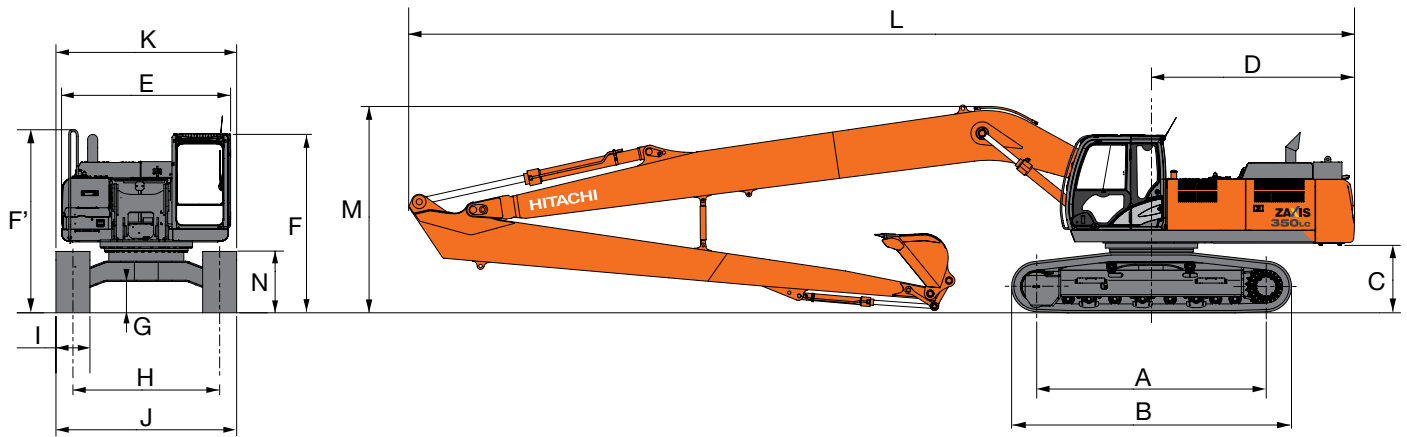
	ZX350LC / ZX350LCN TYPE H18LD
A Max. digging reach	18 060
A' Max. digging reach (on ground)	17 940
B Max. digging depth	13 890
C Max. cutting height	14 320
D Max. dumping height	11 690
E Min. swing radius	6 760
F Min. dumping height	2 470
Bucket digging force ISO	87 kN (8 830 kgf)
Bucket digging force SAE:PCSA	77 kN (7 810 kgf)
Arm crowd force ISO	76 kN (7 730 kgf)
Arm crowd force SAE:PCSA	74 kN (7 590 kgf)

- Excluding track shoe lug

# SPECIFICATIONS

## ZX350LC / ZX350LCN TYPE H20LD

### DIMENSIONS

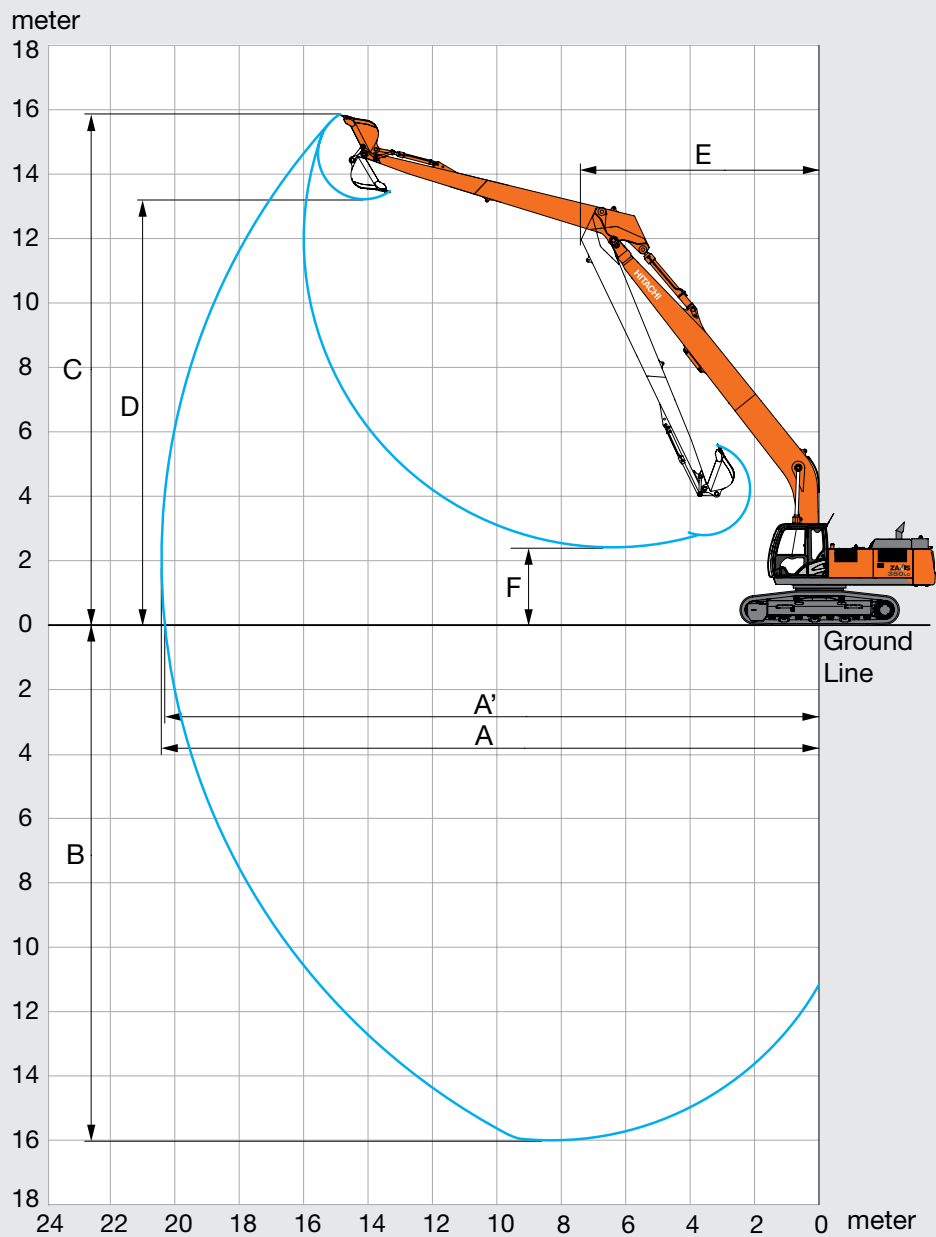


Unit: mm

	ZX350LC TYPE H20LD	ZX350LCN TYPE H20LD
A Distance between tumbler	4 050	4 050
B Undercarriage length	4 940	4 940
*C Counterweight clearance	1 180	1 180
D Rear-end swing radius	3 590	3 590
E Overall width of upperstructure	2 990	2 990
F Overall height of cab	3 150	3 150
F' Overall height of handrail	3 220	3 220
*G Min. ground clearance	500	500
H Track gauge	2 590	2 390
I Track shoe width	600 / 700 / 800 / 900	600 / 700 / 800
J Undercarriage width	3 190 / 3 290 / 3 390 / 3 490	2 990 / 3 090 / 3 190
K Overall width	3 190 / 3 290 / 3 390 / 3 490	2 990 / 3 090 / 3 190
L Overall length	16 700	16 700
M Overall height of boom	3 650	3 650
N Track height with triple grouser shoes	1 070	1 070

•\* : Excluding track shoe lug

## WORKING RANGES



Unit: mm

	ZX350LC / ZX350LCN TYPE H20LD
A Max. digging reach	20 460
A' Max. digging reach (on ground)	20 350
B Max. digging depth	16 050
C Max. cutting height	15 890
D Max. dumping height	13 250
E Min. swing radius	7 440
F Min. dumping height	2 510
Bucket digging force ISO	78 kN (7 950 kgf)
Bucket digging force SAE:PCSA	69 kN (7 020 kgf)
Arm crowd force ISO	65 kN (6 650 kgf)
Arm crowd force SAE:PCSA	64 kN (6 550 kgf)

• Excluding track shoe lug







# EQUIPMENT

## ZX350LC / ZX350LCN TYPE H18LD & H20LD

● ..... Standard equipment    ○ ..... Optional equipment

### ENGINE

Air cleaner double filters	●
Auto idle system	●
Auto shut-down control	●
Cartridge-type engine oil filter	●
Cartridge-type fuel pre-filter	●
Cartridge-type fuel main filter	●
Dust-proof indoor net	●
Dry-type air filter with evacuator valve (with air filter restriction indicator)	●
Electrical fuel feed pump	●
ECO/PWR mode control	●
Engine oil drain coupler	●
Engine warm-up device	●
Fan guard	●
Fuel cooler	●
Fuel recirculation filter	○
High performance water separator	●
Isolation-mounted engine	●
Muffler filter	●
Pre-cleaner	○
Radiator, oil cooler and intercooler	●
Radiator reserve tank	●
50 A alternator	●

### HYDRAULIC SYSTEM

Auto power lift	●
Control valve with main relief valve	●
Front attachment selector	●
Full-flow filter	●
High mesh full flow filter with restriction indicator	○
Hose rupture valve	○
Pilot filter	●
Power boost	●
Suction filter	●
Swing dampener valve	●
Two extra port for control valve	●
Variable reliefvalve for two extra port	●
Work mode selector	●

### CAB

AFL lever (Assist)	○
All-weather sound suppressed steel cab	●
AM-FM radio	●
Ashtray	●
Auto control air conditioner	●
AUX. terminal and storage	●
CRES V (Center pillar reinforced structure) cab	●
Drink holder with hot & cool function	●
Electric double horn	●
Engine shut-off switch	●
Equipped with reinforced, tinted (green color) glass windows	●
Evacuation hammer	●
Fire extinguisher bracket	○
Floor mat	●
Footrest	●
Front window washer	●
Glove compartment	●
Hot & cool box	●
Intermittent windshield wipers	●
Key cylinder light	●
Laminated round glass window	○
LED room light with door courtesy	●
OPG front guard Level II (ISO10262) compliant cab	○
OPG top guard fitted Level II (ISO10262) compliant cab	○
Pilot control shut-off lever	●
Rain guard	○
Rear tray	●
Retractable seat belt	●
ROPS (ISO12117-2) compliant cab	●
Rubber radio antenna	●
Seat : air suspension seat with heater	●
Seat adjustment part : backrest, armrest, height and angle, slide forward / back	●
Short wrist control levers	●
Sun visor (front window/side window)	○
Transparent roof with slide curtain	●
Windows on front, upper, lower and left side can be opened	●
2 speaker	●
4 fluid-filled elastic mounts	●
12 V power outlet	○
24V cigarette lighter	●

### MONITOR SYSTEM

Attachment mode indicator	○
Alarm buzzers: overheat, engine oil pressure, overload	●
Alarms: overheat, engine warning, engine oil pressure, alternator, minimum fuel level, hydraulic filter restriction, air filter restriction, work mode, overload, etc	●
Display of meters: water temperature, hour, fuel rate, clock	●
Other displays: work mode, auto-idle, glow, rearview monitor, operating conditions, etc	●
32 languages selection	●

### LIGHTS

Additional cab roof front lights	○
Additional cab roof rear lights	○
Additional boom light with cover	○
Rotating lamp	○
2 working lights	●

### UPPER STRUCTURE

Electric fuel refilling pump with auto stop and filter	●
Fuel level float	●
Hydraulic oil level gauge	●
Rear view camera	●
Rear view mirror (right & left side)	●
Swing parking brake	●
Tool box	●
Undercover	●
Utility space	●
7 600 kg counterweight	●
1 200 kg additional counterweight for Type H18LD	●
1 800 kg additional counterweight for Type H20LD	●
2 x 135 Ah batteries	●

### UNDERCARRIAGE

Bolt-on sprocket	●
Reinforced track links with pin seals	●
Travel motor covers	●
Travel parking brake	●
Track undercover	○
Upper and lower rollers	●
3 track guards (each side) and hydraulic track adjuster	●
4 tie down hooks	●
600 mm triple grouser shoes	●

### FRONT ATTACHMENTS

Casted bucket link A	●
Centralized lubrication system	●
Dirt seal on all bucket pins	●
Flanged pin	●
HN bushing	●
Reinforced resin thrust plate	●
WC (tungsten-carbide) thermal spraying	●
Welded bucket link A	○

### ATTACHMENTS

Additional pump (30 L/min)	○
Assist piping	○

### MISCELLANEOUS

Global e-Service	●
Lockable fuel refilling cap	●
Lockable machine covers	●
Onboard information controller	●
Skid-resistant tapes, plates and handrails	●
Standard tool kit	●
Travel direction mark on track frame	●
Theft prevention system*	○

Standard and optional equipment may vary by country, so please consult your Hitachi dealer for details.

\* Hitachi Construction Machinery cannot be held liable for theft, any system will just minimize the risk of theft.





**Built on the foundation of superb technological capabilities, Hitachi Construction Machinery is committed to providing leading-edge solutions and services to contribute as a reliable partner to the business of customers worldwide.**



---

## Hitachi Environmental Vision 2025

---

The Hitachi Group released the Environmental Vision 2025 to curb annual carbon dioxide emissions. The Group is committed to global production while reducing environmental impact in life cycles of all products, and realizing a sustainable society by tackling three goals — prevention of global warming, recycling of resources, and enhancement of ecosystem.

### Reducing Environmental Impact by New ZAXIS

Hitachi makes a green way to cut carbon emissions for global warming prevention according to LCA\*. New ZAXIS utilizes lots of technological advances, including the new ECO mode, and Isochronous Control. Hitachi has long been committed to recycling of components, such as aluminum parts in radiators and oil cooler. Resin parts are marked for recycling.

\*Life Cycle Assessment – ISO 14040

Prior to operating this machine, including satellite communication system, in a country other than a country of its intended use, it may be necessary to make modifications to it so that it complies with the local regulatory standards (including safety standards) and legal requirements of that particular country. Please do not export or operate this machine outside the country of its intended use until such compliance has been confirmed. Please contact your Hitachi dealer in case of questions about compliance. These specifications are subject to change without notice.

Illustrations and photos show the standard models, and may or may not include optional equipment, accessories, and all standard equipment with some differences in color and features. Before use, read and understand the Operator's Manual for proper operation.